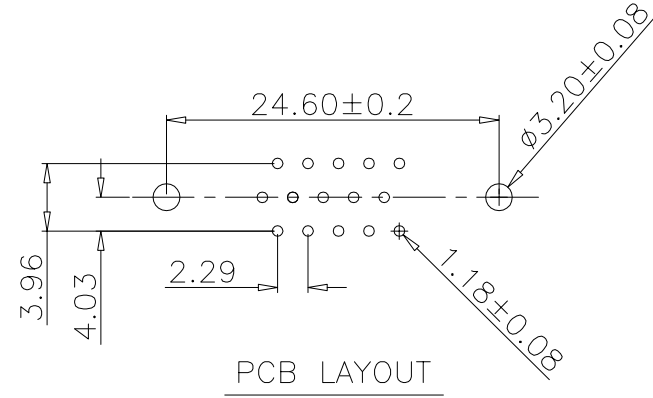
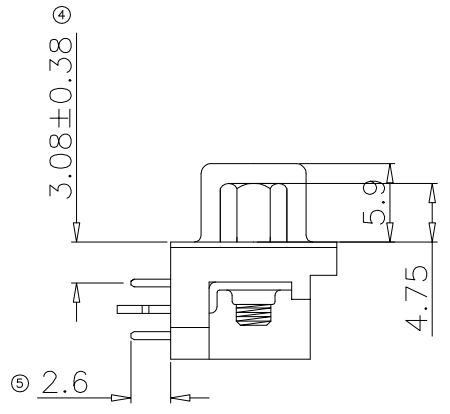
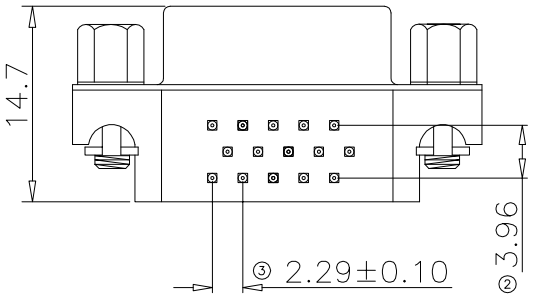
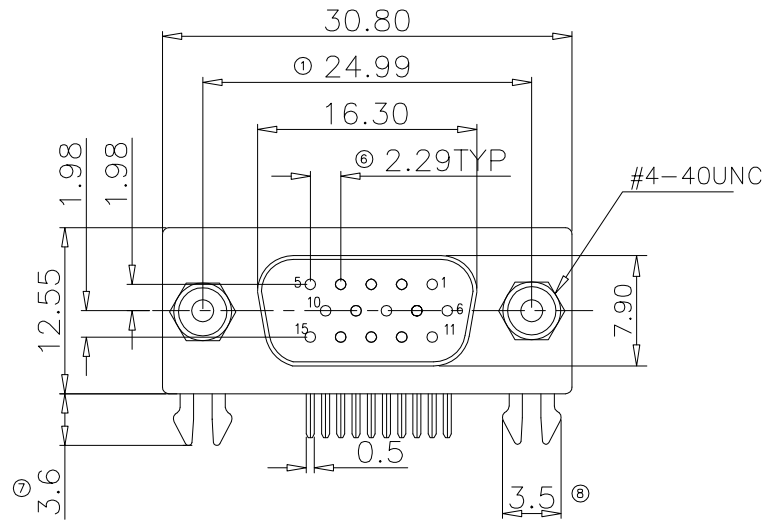


修 订		标 记	修 改 描 要	签 名	日 期
REV	NO		REVISION DESCRIPTION	SIGNATURE	DATE
			NEW DRG		2016-03-12



- 1.Electrical Specification:
- 1.1 Current Rating:1.5A AC/DC
  - 1.2 Voltage Rating:40V AC/DC
  - 1.3 Contact Resistance:30m ohm max
  - 1.4 Insulation Resistance:1000M ohm min
  - 1.5 Dielectric Withstanding Voltage:500V DC
- 2.Material and Finish:
- 2.3 Conntact:Phosphor Bronze
  - 2.4 Shell:SPCC
  - 2.5 Contact Plating:Tin Plating Over All
- 3.Environmental  
Operating Temperature:-20°C - +80°C

<b>深圳市华德共创科技有限公司</b> Shenzhen Huade co-create Technology Co.,LTD 电话: 0755-23304126 传真: 0755-29940187								
-TOLERANCES- UNLESS OTHERWISE SPECIFIED 公差参数表						TITLE: HDR母座15P插板式3.08 产品名称: 深蓝色带螺丝4.8		
X.X	±0.30	X.X*	±3°	APPD: 核准:	PART NO: 产品编号: HDR-HX-101DIP			
X.XX	±0.20	X.XX*	±2°	CHECK: 校对: 王建业	DATE	SCALE	UNIT	CODE NUMBER
X.XXX	±0.10	X.XXX*	±1°	DRAW: 绘图: 黄艳兰	2016-03-12	1:1	mm	A001