

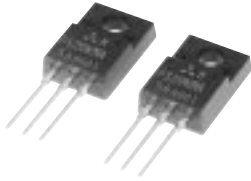
PRELIMINARY
 Notice: This is not a final specification.
 Some parametric limits are subject to change.

MITSUBISHI Nch POWER MOSFET

FS20KMA-5A

HIGH-SPEED SWITCHING USE

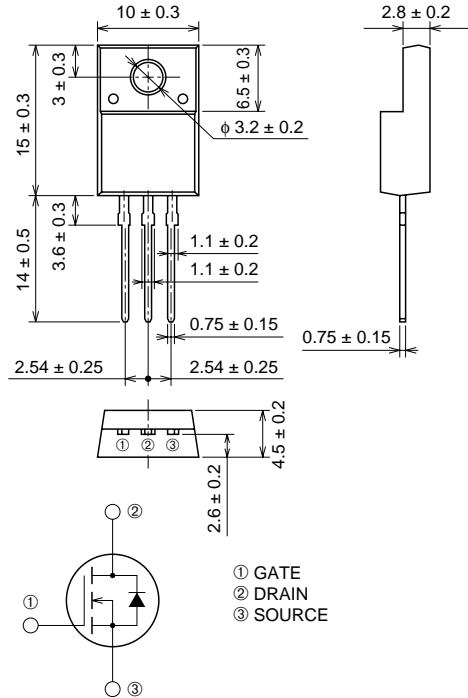
FS20KMA-5A



- 10V DRIVE
- V_{DSS} 250V
- r_{DS (ON)} (MAX) 0.20Ω
- I_D 20A

OUTLINE DRAWING

Dimensions in mm



TO-220FN

APPLICATION

Cs Switch for CRT Display monitor

MAXIMUM RATINGS (T_c = 25°C)

Symbol	Parameter	Conditions	Ratings	Unit
V _{DSS}	Drain-source voltage	V _{GS} = 0V	250	V
V _{GSS}	Gate-source voltage	V _{DS} = 0V	±20	V
I _D	Drain current		20	A
I _{DM}	Drain current (Pulsed)		60	A
I _{DA}	Avalanche drain current (Pulsed)	L = 200μH	20	A
P _D	Maximum power dissipation		40	W
T _{ch}	Channel temperature		-55 ~ +150	°C
T _{stg}	Storage temperature		-55 ~ +150	°C
V _{iso}	Isolation voltage	AC for 1minute, Terminal to case	2000	V
—	Weight	Typical value	2.0	g

Sep.1998

PRELIMINARY
 Notice: This is not a final specification.
 Some parametric limits are subject to change.

ELECTRICAL CHARACTERISTICS (Tch = 25°C)

Symbol	Parameter	Test conditions	Limits			Unit
			Min.	Typ.	Max.	
V (BR) DSS	Drain-source breakdown voltage	Id = 1mA, VGS = 0V	250	—	—	V
IGSS	Gate-source leakage current	VGS = ±20V, VDS = 0V	—	—	±10	μA
IDSS	Drain-source leakage current	VDS = 250V, VGS = 0V	—	—	1	mA
VGS (th)	Gate-source threshold voltage	Id = 1mA, VDS = 10V	2.0	3.0	4.0	V
rDS (ON)	Drain-source on-state resistance	Id = 10A, VGS = 10V	—	0.15	0.20	Ω
VDS (ON)	Drain-source on-state voltage	Id = 10A, VGS = 10V	—	1.50	2.00	V
yfs	Forward transfer admittance	Id = 10A, VDS = 10V	—	20.0	—	S
Ciss	Input capacitance	VDS = 25V, VGS = 0V, f = 1MHz	—	2250	—	pF
Coss	Output capacitance		—	220	—	pF
Crss	Reverse transfer capacitance		—	65	—	pF
td (on)	Turn-on delay time		—	35	—	ns
tr	Rise time	VDD = 150V, Id = 10A, VGS = 10V, RGEN = RGS = 50Ω	—	60	—	ns
td (off)	Turn-off delay time		—	400	—	ns
tf	Fall time		—	90	—	ns
VSD	Source-drain voltage	IS = 10A, VGS = 0V	—	0.95	—	V
Rth (ch-c)	Thermal resistance	Channel to case	—	—	3.13	°C/W