

4

3

2

1

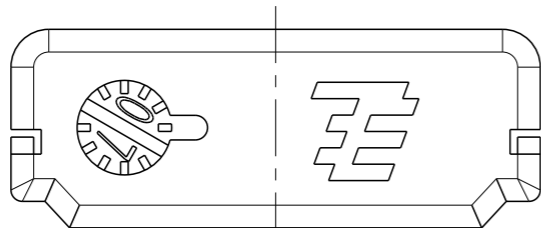
THIS DRAWING IS UNPUBLISHED.

RELEASED FOR PUBLICATION

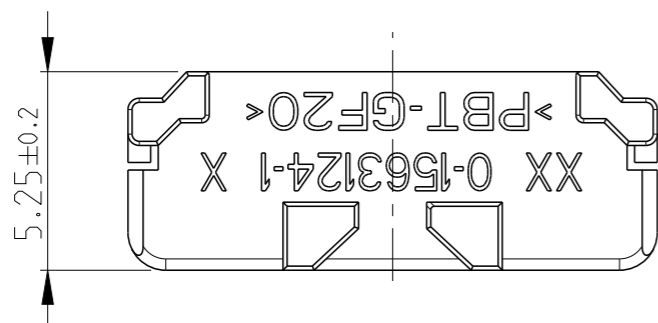
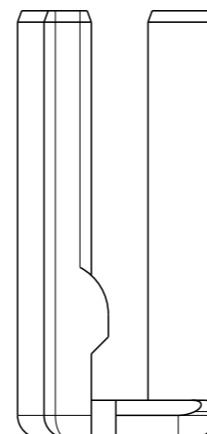
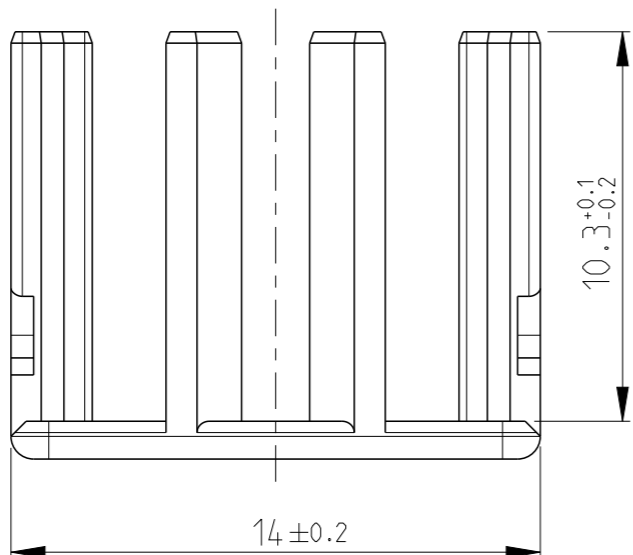
2008

© COPYRIGHT 2008 BY TYCO ELECTRONICS CORPORATION. ALL RIGHTS RESERVED.

LOC	DIST	REVISIONS					
		P	LTR	DESCRIPTION	DATE	DWN	APVD
A1	-		A	NEW DRAWING	30JAN2008	GP	GM
			A1	ECR-17-010498	19JUL2017	KC	PT



1:1



NOTES:  
Bemerkungen:

- 1 DELIVERY CONDITION: LOOSE PIECES  
Anlieferungszustand: Teile lose beigelegt
- 2 MATED WITH TE-PN: 0-1563123-1  
Verwendet mit TE-PN: 0-1563123-1
- 3 MATED WITH TE-PN: 0-2112415-1  
Verwendet mit TE-PN: 0-2112415-1

<small>THIS DRAWING IS A CONTROLLED DOCUMENT FOR TYCO ELECTRONICS CORPORATION IT IS SUBJECT TO CHANGE AND THE CONTROLLING ENGINEERING ORGANIZATION SHOULD BE CONTACTED FOR THE LATEST REVISION.</small>		DWN G.PUCKEL 30JAN2008	Tyco Electronics AMP GmbH 64625 Bensheim (Germany)	
DIMENSIONS: mm		CHK K.ROTH 30JAN2008		
<small>TOLERANCES UNLESS OTHERWISE SPECIFIED:</small>		APVD G.MUMPER 30JAN2008	NAME <b>SECONDARY LOCK</b> <b>FOR 10 POS. MIXED RECEPTACLE HOUSING</b> <b>8 x MCON1.2 AND 2 x MCP2.8</b>	
		PRODUCT SPEC -	APPLICATION SPEC 114-18923 (A1)	
MATERIAL -		WEIGHT -	SIZE A3	RESTRICTED TO -
FINISH -		CAGE CODE 00779		DRAWING NO 0-1563124
		CUSTOMER DRAWING		SCALE 5:1
		SHEET 1 OF 1		REV A1