



28.5×10.1×12.3

N68F

UL E169380 CQC 06001015741

Features

- Slim type and small occupying area can offer high density P.C.B. technique.
- Employment of suitable plastic materials to be applied to high temperature and various chemical solution.
- Dielectric strength 5000V.
- Creepage distance >8mm.

Ordering Information

N68F C S 8 DC12V F
 1 2 3 4 5 6

- 1 Part number: N68F
- 2 Contact arrangement: A:1A;C:1C
- 3 Enclosure: S:Sealed type; Z:Dust cover
- 4 Contact current: 8A
- 5 Coil rated voltage(V): DC:5,6,12,18,24,48,60
- 6 Resist heatclass: B:130°C; F:155°C

Contact Data

Contact Arrangement	1A(SPSTNO) 1C (SPDT(B-M))	
Contact Material	AgCdO AgSnO ₂ AgNi (gold clad)	
Contact Rating (Resistive)	8A/250VAC,30VDC	
Max. Switching Power	300W	2500VA
Max. Switching Voltage	125VDC 380VAC	Max. Switching Current:10A
Contact Resistance or Voltage drop	≤100mΩ	Item 4.12 of IEC 61810-7
Operational life	Electrical	10 ⁵ Item 4.30 of IEC 61810-7
	Mechanical	10 ⁷ Item 4.31 of IEC 61810-7

Coil Parameter

Dash numbers	Coil voltage VDC		Coil resistance Ω ±10%	Pickup voltage VDC (max) (75% of rated voltage)	Release voltage VDC (min) (10% of rated voltage)	Coil power consumption W	Operate Time ms	Release Time ms
	Rated	Max						
005-220	5	6.5	113	3.75	0.5	0.22	<7	<3
006-220	6	7.8	164	4.5	0.6			
012-220	12	15.6	620	9.0	1.2			
018-220	18	23.4	1295	13.5	1.8			
024-220	24	31.2	2350	18.0	2.4			
048-250	48	62.4	9600	36.0	4.8	0.25	<7	<3
003-250	60	78	12500	45.0	6.0			

- CAUTION:**
- 1.The use of any coil voltage less than the rated coil voltage will compromise the operation of the relay.
 - 2.Pickup and release voltage are for test purposes only and are not to be used as design criteria.
 - 3.Unless otherwise stated, the rated coil voltage specified in coil parameter table shall be used for all tests and its application to the relay.

Operation condition

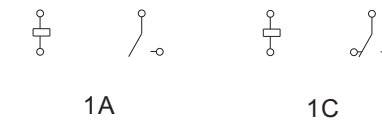
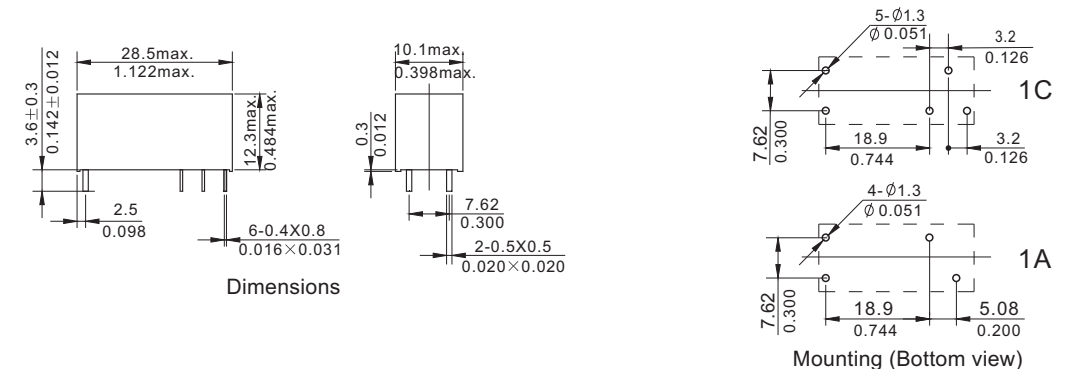
Insulation Resistance	1000MΩ min (at 500VDC)	Item 7 of IEC 61810-5
Dielectric Strength	50Hz 1000V	Item 6 of IEC 61810-5 Item 6 of IEC 61810-5
Between contacts	50Hz 5000V	
Between contact and coil		
Shock resistance	Functional 100m/s ² 11ms Survival: 1000m/s ² 6ms	IEC68-2-27 Test Ea
Vibration resistance	10~500Hz double amplitude 1.5mm 200m/s ²	IEC68-2-6 Test Fc
Terminals strength	10N	IEC68-2-21 Test Ua1
Solderability	235°C ± 2°C 3 ± 0.5s	IEC68-2-20 Test Ta method 1
Ambient Temperature	-40~85°C	
Relative Humidity	85% (at 40°C)	IEC68-2-3 Test Ca
Mass	8.2g	

Safety approvals

Safety approval	UL & CUR	CQC
Load	8A/250VAC,30VDC	8A/250VAC

Dimensions

mm /inch



- NOTES 1).Dimensions are in millimeters.
 2).Inch equivalents are given for general information only.

Reference Data

