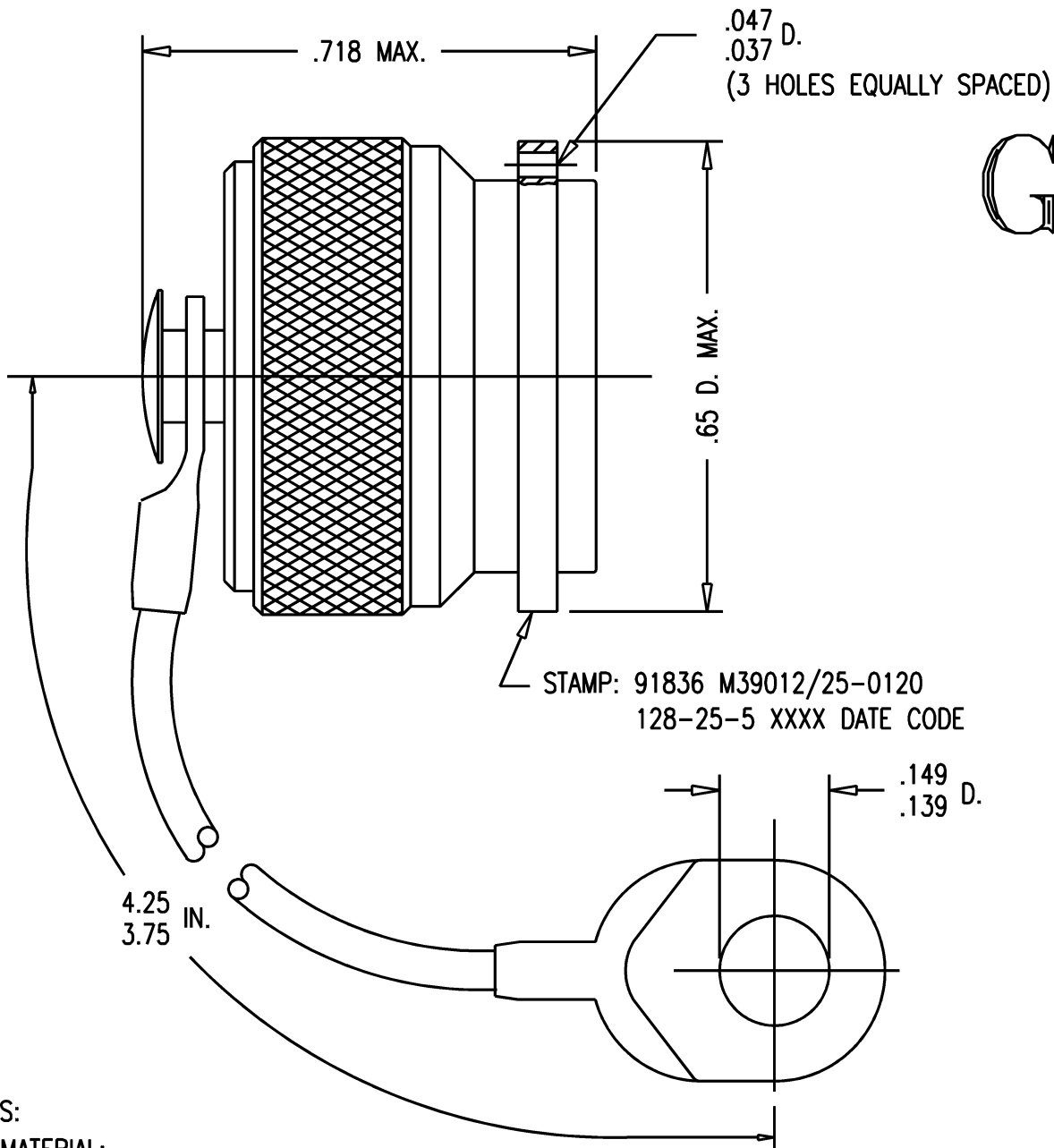


M39012/25-0120



GSD

REVISIONS

ISSUE	CHANGES
0	ER 35812 KH 09/02/94

128-25-5 KAM3867

SCALE 4:1

APPROX SURFACE AREA

WAS: E-18256

USED ON

REF:

CAP & WIRE ROPE
TNC, (M)

DRAWN	KH	DATE	09/02/94
DESIGN	CT	DATE	09/06/94
APPR.	VLS	DATE	09/06/94

KINGS

ELECTRONICS CO., INC.
TUCKAHOE, NEW YORK 10707

GSD

M39012/25-0120

NOTES:

- MATERIAL:
GASKET-SILICONE RUBBER, ZZ-R-765
WIRE ROPE-NYLON EXTRUDED INSULATION OVER CRES, PER MIL-W-83420.
TERMINAL LUGS-ST. STEEL, QQ-S-763
ALL OTHER METAL PARTS-BRASS, ASTM-B16
- FINISHES:
TERMINAL LUGS-PASSIVATE PER QQ-P-35
ALL OTHER METAL PARTS- SILVER PLATE PER QQ-S-365