

PLEASE CHECK WWW.MOLEX.COM FOR LATEST PART INFORMATION

Part Number: **0505557412**
Status: **Active**
Description: Ring Tongue Terminal for 8 AWG, Closed Uninsulated Brazed Barrel, Stud Size 8 (M4), Oxygen-Free Copper, Width 12.00mm (.472"), Length 23.50mm (.925")

Documents:

[Drawing \(PDF\)](#) [RoHS Certificate of Compliance \(PDF\)](#)
[Product Specification PS-50555-001 \(PDF\)](#)

Agency Certification

CSA LR95446
 UL E134962

General

Product Family Ring and Spade Terminals
 Series [50555](#)
 Crimp Quality Equipment Yes
 Mil-Spec N/A
 Product Name R (Ring)
 Type Ring

Physical

Barrel Type Closed - Brazed
 Insulation None
 Material - Plating Mating Tin
 Packaging Type Bag
 Plating min: Mating (µin) 40
 Plating min: Mating (µm) 1
 Plating min: Termination (µin) 40
 Plating min: Termination (µm) 1
 Stud Size 8 (M4)
 Termination Interface: Style Crimp or Compression
 Wire Size AWG 8
 Wire Size mm² 6.64 - 10.52

Material Info

Reference - Drawing Numbers

Product Specification PS-50555-001
 Sales Drawing SD-50555-001



Series

image - Reference only

EU RoHS

ELV and RoHS Compliant

REACH SVHC

Not Reviewed

Halogen-Free

Status

Not Reviewed

China RoHS



Need more information on product environmental compliance?

Email productcompliance@molex.com
 For a multiple part number RoHS Certificate of Compliance, [click here](#)

Please visit the [Contact Us](#) section for any non-product compliance questions.

Search Parts in this Series

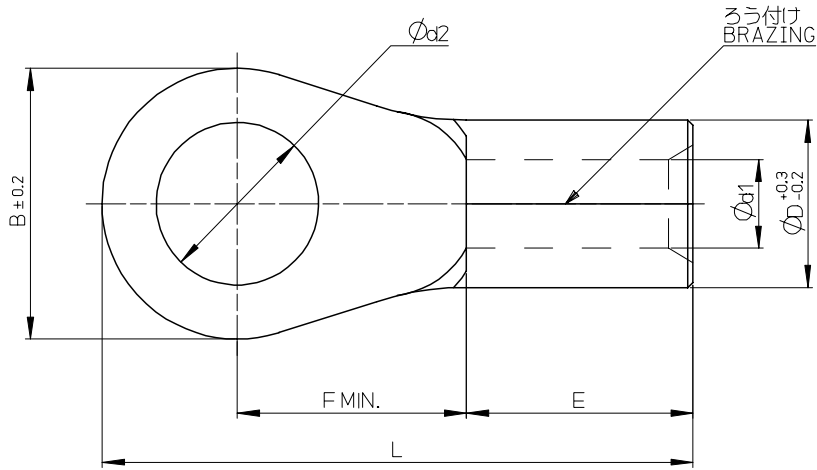
[50555Series](#)

Application Tooling | FAQ

Tooling specifications and manuals are found by selecting the products below. Crimp Height Specifications are then contained in the Application Tooling Specification document.

Japan

Description	Product #
Hand Crimper For JIS Terminal	0572575000

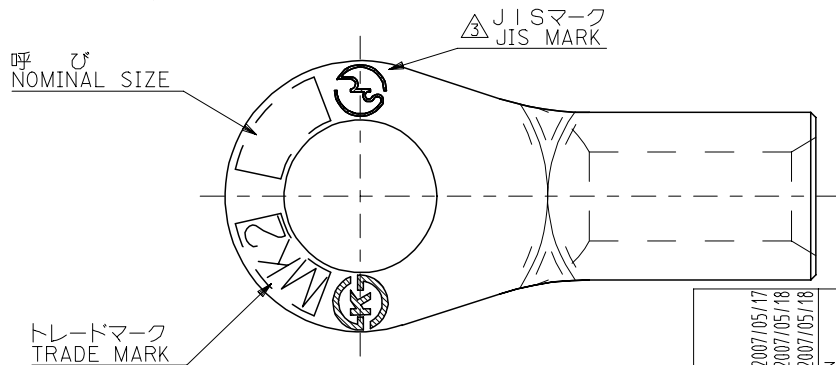
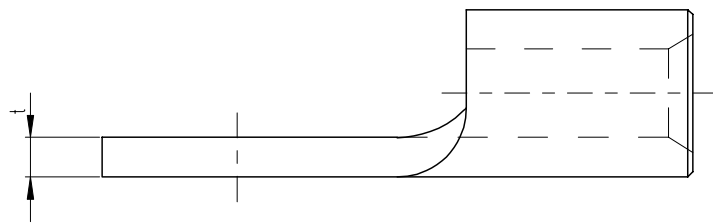


注記 NOTES

- 材質 MATERIAL
 端子：無酸素銅、錫めっき
 TERMINAL: OXYGEN-FREE COPPER, TIN PLATING
 ろう付け部：りん銅ろう
 PART OF BRAZING : COPPER PHOSPHORUS BRAZING FILLER METALS
- 適用電線 APPLICABLE WIRE RANGE

単線 SOLID WIRE	撚線 STRANDED WIRE
2.89~3.65 mm	6.64~10.52 mm ²

Ⓐ JIS認定品にのみ刻印。
 DIE STAMPED MARK IS ALLOWED ONLY
 FOR JIS FILED PRODUCTS.



1.2	13.2 ^{+0.2} 5.3 ^{+0.2} 4.4 ^{+0.2} 5.4 ^{+0.2} 6.5 ^{+0.2}	34 ^{+0.5} 23.5 ^{+0.5} 29.5 ^{+0.5} 23.5 ^{+0.5} 30 ^{MAX}	15.2 9.7 9.1 6.1 13.5	8.3 ^{+0.4}	4.5 ^{+0.3}	7	20 10 9 15 12	8	12	50555-7912
									S5	50555-7812
									S4	50555-7712
									L5	50555-7612
									L6	50555-7512
4	50555-7412									
JIS	1.15 ^{MN}	24 ^{MAX}	7 9	7.9 ^{MN}	4.5 ^{+0.2}	7.1	15 12	8	10	50555-7312
									8	50555-7212
									6	50555-7112
								5	50555-7012	
Ⓐ	t	Ød2	L	F	E	Ød1	ØD	B	呼び NOMINAL SIZE	ENG. NO.

RELEASED EC NO: J2007-0312 DR: N. H. YAJIMA 2007/05/17 CH: K. KASAHARA 2007/05/18 APPR: N. UKITA 2007/05/18	GENERAL TOLERANCES (UNLESS SPECIFIED)		DIMENSION STYLE MM ONLY		SCALE ---	DESIGN UNITS METRIC	THIRD ANGLE PROJECTION		
	10 UNDER	± ---	DRAWN BY H. YAJIMA	DATE '06/08/21	TITLE RING TERMINAL				
	10 OVER 30 UNDER	± ---	CHECKED BY K. KASAHARA	DATE '06/08/21	MATERIAL NO. SEE CHART				
	30 OVER	± ---	APPROVED BY N. UKITA	DATE '06/08/21	DOCUMENT NO. SD-50555-001				
	ANGULAR	± --- °	DRAFT WHERE APPLICABLE MUST REMAIN WITHIN DIMENSIONS		SIZE Ⓐ3		SHEET NO. 1 OF 1		