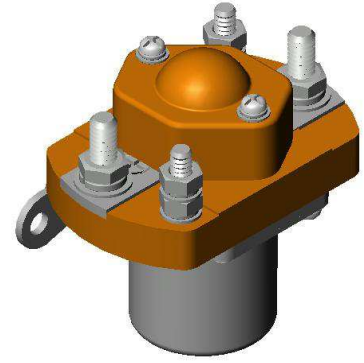


■ FEATURES

- 50A Contact Switching Capability
- SPST-NO Contact Arrangement
- Coil Power Dissipation:9W Max.
- Application: For Electric Control System of Communication Power Supply, Engineering Machine, Electromotion Forklift, Motor Car, Train, Watercraft and UPS etc.
- Certificate: CCC UL TUV
- ROHS



■ Contactor Data

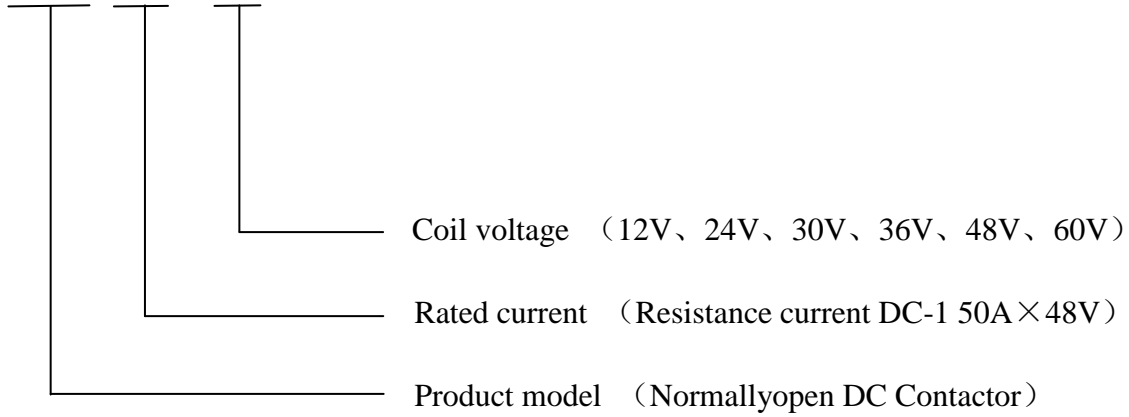
Mode No.	ZLJM-50A/□
Contact Form	1H (SPST-NO)
Contact Material	Ag Alloy
Contact Rating(at Resistive Load)	50A × 48VDC (DC-1)
Contact Voltage Drop	50A@80mV max
Insulation Resistance	Min. 100MΩ at 500VDC
Dielectric Strength (Between Insulated Electric Parts)	1000VAC 50 HZ/60 HZ (1 minute)
Pick up time	Max. 30mSec.
Drop out time	Max. 30mSec.
Ambient Temperature	-25℃ ~ +60℃
Storage Temperature	-40℃ ~ +65℃
Relative Humidity	+20% ~ +90% RH
Shocking of fixed point	(10~200)HZ、Acceleration ≤ 3.5g
Shocking	(60~100)Ops./min、Acceleration ≤ 4g
Mechanical Life Time	100,000 Operations (no load)
Electrical Life Time	6,000 Operations (at rated load)
Pollution Level	III
Working Duty	Continuous

■ Coil Data

Mode No.	Coil voltage	Coil Working voltage	Pick-up Voltage	Drop-out Voltage	Coil Holding Current
ZLJM-50A	12	0.85U <sub>s</sub> ~ 1.1U <sub>s</sub>	≤ 70%	≥ 5%	≤ 0.9
	24				≤ 0.5
	30				≤ 0.4
	36				≤ 0.3
	48				≤ 0.25
	60				≤ 0.15

■ Product Model

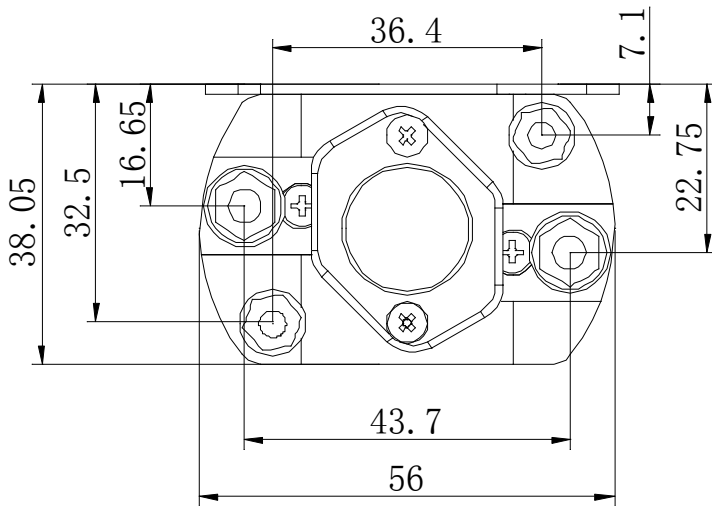
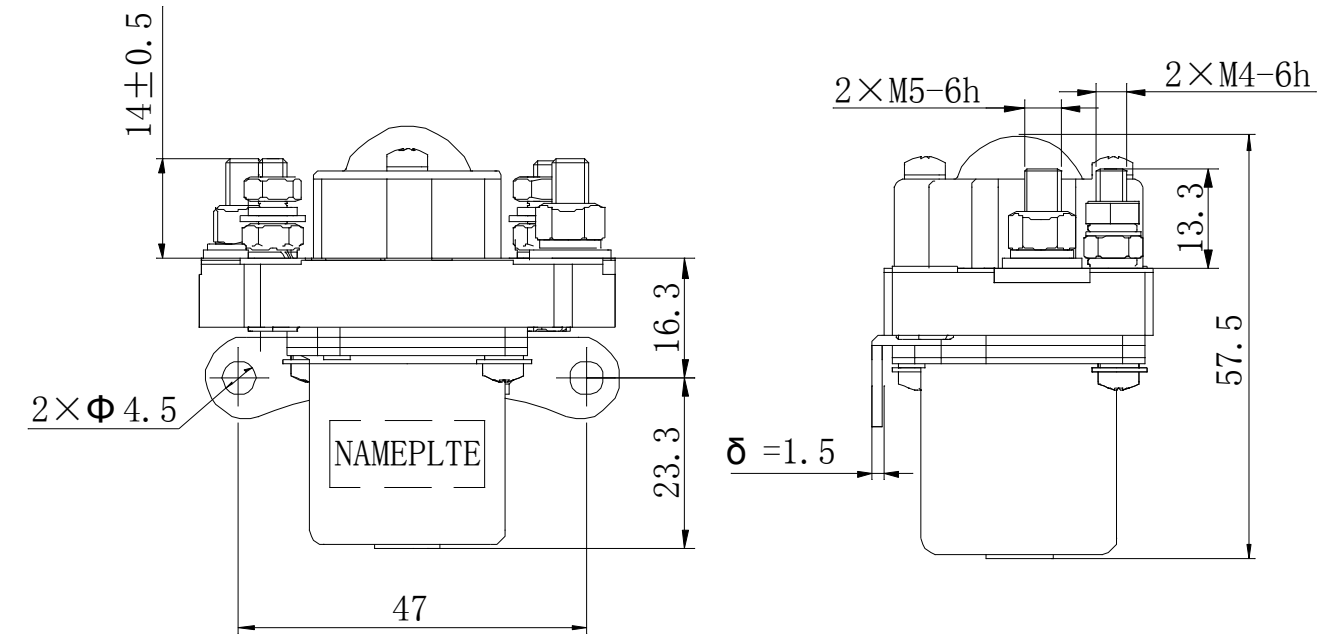
ZLJM - 50A / □



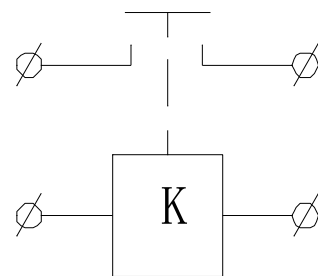
Example: ZLJM-50A/48; said: NormallyopenDC Contactor, 50A for DC-1 load rated current, coil voltage 48VDC.

■ Shape installation and circuit diagram

ZLM-50A/□



Connection Diagram



尺寸 (mm) Dimension (mm)	未注尺寸公差 (mm) Tolerance grade not noted (mm)
0~30	$\pm 0.3$
30~60	$\pm 0.5$
60~100	$\pm 1$
>100	$\pm 2$

**■ Remarks**

1. While assemble contactor, tighten torque of nut of terminal screw in main circuit is 4~5N.m; tighten torque of nut of terminal screw in control circuit is 1~1.5N.m.
2. Driving circuit power for coil must be no less than coilpower; otherwise, it will reduce cutting capacity of product.
3. Continuous applied voltage should not exceed the maximum permission voltage. Otherwise, abnormal heating of coil will shorten the life of insulating coating.
4. This contactor is non-waterproof, please don't use in water, solvent, oil and other environment that may contact with the shell or terminal. Otherwise, it may cause abnormal heating due to the burn-in of shell or corrosion, dirty of terminal.