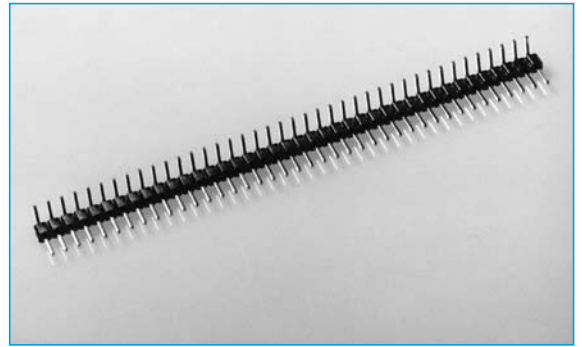


PIN HEADERS

SINGLE ROW RIGHT ANGLE 2.00mm

- Industry compatible
- Competitively priced
- Various plated contacts available
- 2.00mm pitch



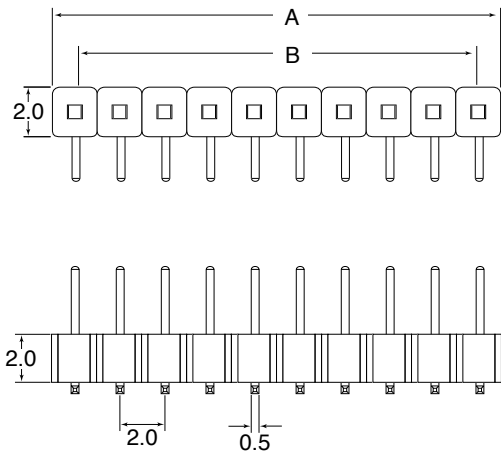
SECTION 8

SPECIFICATION

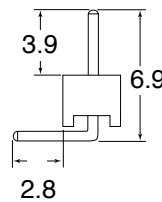
Material & Finish

Contact Material:	Brass
Insulator Material:	PBT & Glass-Fibre Reinforced UL94V-0
Current Rating:	1 A DC
Contact Resistance:	30M Ω Max at 6V DC 0.3A
Insulator Resistance:	1000M Ω Min at 500V DC
Dielectric Withstanding	
Voltage:	500V AC for One Minute
Operating Temperature:	-40°C to + 105°C

OUTLINE DRAWING



A = 2.00mm x N° of Positions
B = 2.00mm x N° of Positions



For other dimension variations please consult office

ORDERING INFORMATION

DBC	PH	C28	04	A	G	1	-XXX
Dubilier Connectors	Pin Header Connector	Series	N° of Contacts 02=2way Thro to 40=40way	Contact Material A=Brass	Contact Plating G= Gold Flash S=Selective T=Tin Plated	Colour 1=Black	Unique Special Code *See Below

*Dubilier will allocate a special code to distinguish pin lengths if required