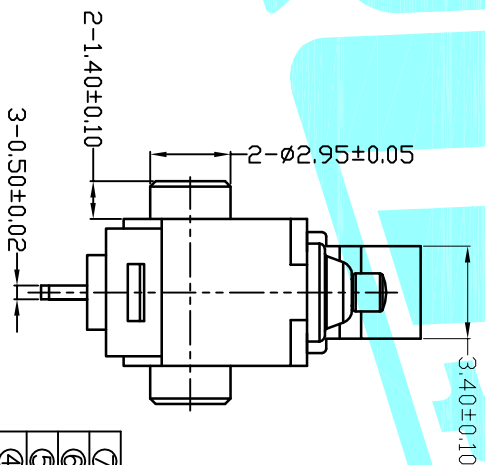
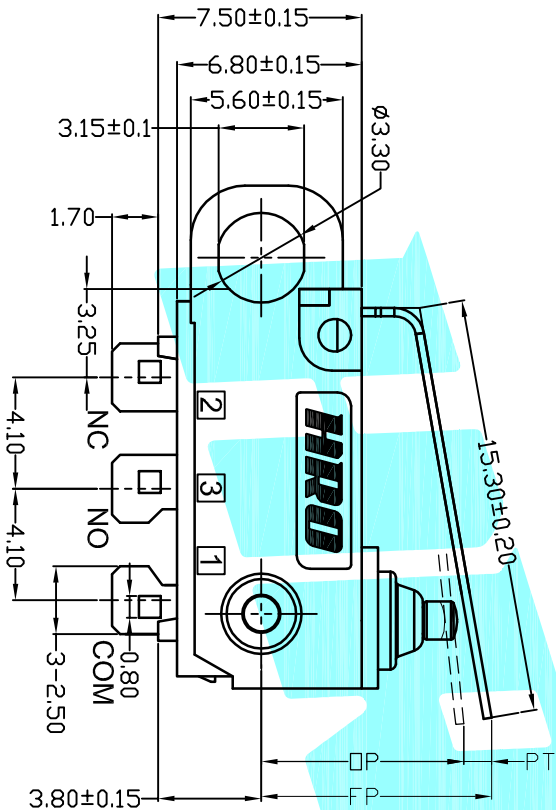
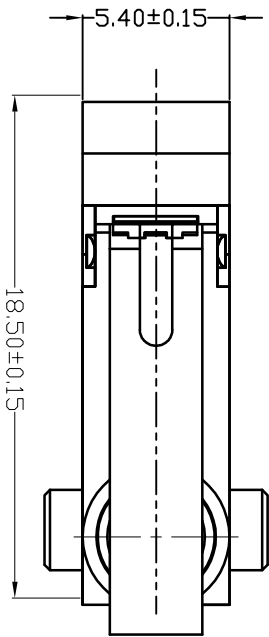
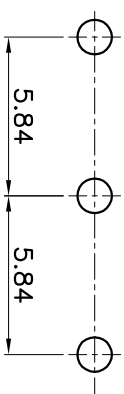
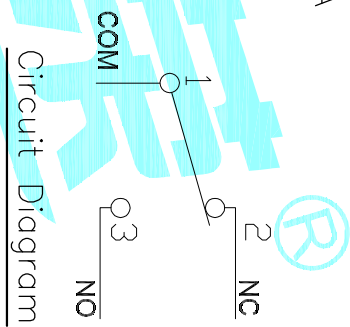


INGRESS PROTECTION:IP67



- NOTE:
1. Rating1: DC12V 3A
 2. Rating2: 48VDC/125VAC/250VAC 0.1A
 3. Operating force: 75±30gf&130±30gf
 4. Electric Life:10,000
 5. Mechanical Life:1,000,000



P.C.B layout

ITEM	PART NAME	TER'NO.	QTY.	MATERIAL	FINISHING	REMARK
⑦	Shrapnel	—	1	Brass	Plating silver	
⑥	Contact	—	1	Ag		
⑤	Sealed Circle	—	1	Silicone Rubber		
④	Terminal	—	3	Brass(0.50t)	Plating silver	
③	Plunger	—	1	POM	Black	
②	Cose	—	1	PA	Black	
①	Cover	—	1	PA	Black	

APPROVALS	DATE	TITLE
DRAWN J.X.Zhang	2018/8/1	MICRO SWITCHS
CHECKED		
APPROVALS		

APPROVALS	DATE	TITLE
DRAWN J.X.Zhang	2018/8/1	MICRO SWITCHS
CHECKED		
APPROVALS		

APPROVALS	DATE	TITLE
DRAWN J.X.Zhang	2018/8/1	MICRO SWITCHS
CHECKED		
APPROVALS		

ECN NO.	REV.	DATE.	DESCRIPTION.	CHANGE.	CHECK.	APPRO.
	A		NEW			

TOLERANCES ARE	30±0.15	±0.30	ANGLE	UNIT: mm	SCALE: 1:1	PROD.
	10~30	±0.15	±2°			PROJ.
	5~10	±0.10				
	~5	±0.10				
DRAWING NO.						SHEET 1 OF 1



ELECTRONICS CO.,LTD

K9-1801C-02