

2-electrode Gas Discharge Tubes

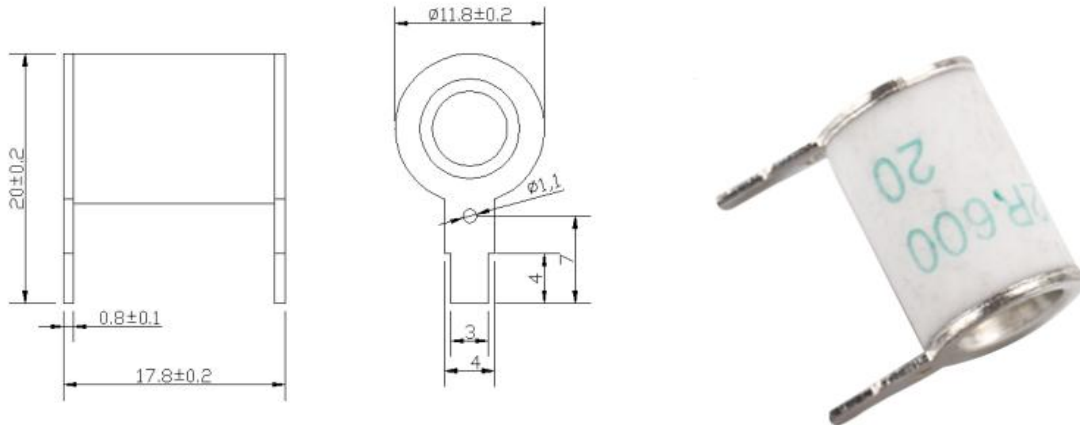
H2R12-600VE

1: Applications

- AC Power line N-PE applications
- Class I and Class II Surge protection



2: Dimension in mm



Specification of H2R12-600VE

Dc spark-over voltage (100V/s)	1)	600V ±20%				
Maximum impulse spark-over voltage @ 1KV/μs ²)		1000V				
Breakdown time		<100ns				
- typical values		<20ns				
Insulation resistance @DC250V		1000MΩ				
Class I according to IEC 61643-11						
Max continuous operating voltage at 50/60 Hz	Uc	260V				
Nominal discharge current 8/20μs	In	40KA				
Impulse current 10/350μs	Iimp	8KA				
Class II according to IEC 61643-11						
Max continuous operating voltage at 50/60 Hz	Uc	260V				
Nominal discharge current 8/20μs	In	40KA				
Maximum discharge current 8/20μs	I _{max}	65KA				
capacitance at 1MHz		<1.5pF				
Weight		~ 8g				
UL 1449 Certification						
On the UL List						
Delivery time		20days				
Operation and storage temperature		-40°C ... +90°C				
Marking, Green		<table border="0"> <tr> <td>2R 600</td> <td>600 - Nominal voltage</td> </tr> <tr> <td>YY</td> <td>YY - Year of production</td> </tr> </table>	2R 600	600 - Nominal voltage	YY	YY - Year of production
2R 600	600 - Nominal voltage					
YY	YY - Year of production					

3:Application Figure



What can we do for our GDT?

- 1: We Can customize voltage: 230V,500V,800V...etc
- 2: We Can developed low impulse GDT
- 3: We Can customize $U_c, I_n, I_{max}, I_{imp}, I_f, TOV$.
- 4: We Can developed cut off follow current 100A within 1 cycle when passing zero under AC260V(50Hz)
- 5: We Can customize multi-gap GDT used in DC or AC(L-N) over voltage protection
- 6: We Can customize GDT shape, marking, special Lead wire
- 7: We Can surpass our GDT competitors, help you pass the GDT test project & improve the GDT you currently use.
- 8: We can provide fast GDT delivery, Solve your GDT delivery time problem
- 9: We can help you analyze the competitor's parameters and tell you our perfect replacement GDT part number.