



**Data Sheet**

telephone  
 949 252 0522  
 BACK

Product Category: Filters

Series Number	Package	Description	Last Modified
763	10.7 MHz Chip Type	Ceramic Filter	Jun. 18 2008

**Filter FEATURES**

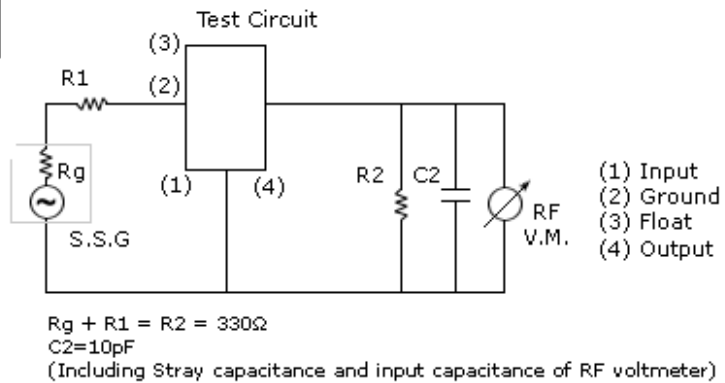
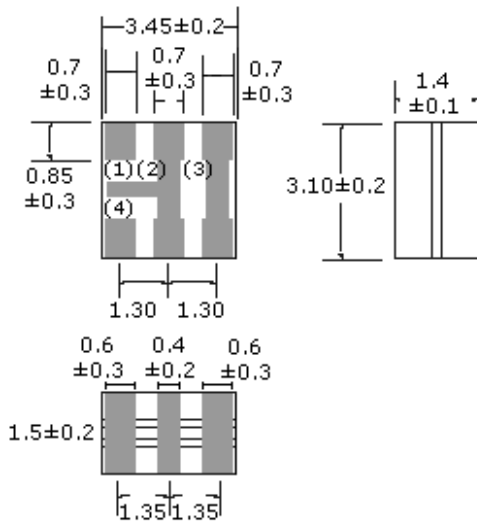
- Chip Type Ceramic Filter
- Low Loss Surface Mount
- RoHS Compliant



**TECHNICAL CHARACTERISTICS / PART NUMBER GUIDE**

Part Number	3 dB Bandwidth	20 dB Bandwidth	Insertion Loss	Spurious Attenuation (9 ~ 12 KHz)	In/Out Impedance
	KHz min.	KHz max.	dB max.	dB min.	ohm
763-0107-A5	280 ±50	590	3.0 ±2.0	30	330
763-0107-S2	230 ±50	510	3.5 ±2.0	30	330
763-0107-S3	180 ±40	470	4.5 ±2.0	30	330
763-0107-A20	330 ±50	700	3.0 ±2.0	30	330

**PACKAGE DIMENSIONS (mm)**



**Oscilent Corporation** - CALL **949.252.0522**  
 18195 East McDermott Street . Building D . Irvine . CA 92614 . USA  
 Fax: 949.252.0599 . E-Mail: Sales@Oscilent.com

**Series No.: 763**

