




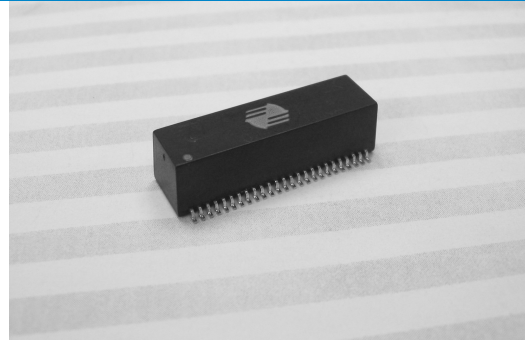


350uH OCL with 8mA DC bias

-  Excellent crosstalk and return loss performance
-  Support 4 pairs of Category 5 UTP cable with 1000Base-T full duplex applications
-  Design to withstand IR-reflow with peak temperature per IPC/JEDEC J-STD-020C
-  Operating temperature 0°C to +70°C.
-  RoHS compliant



ELECTRICAL SPECIFICATION @ 25°C

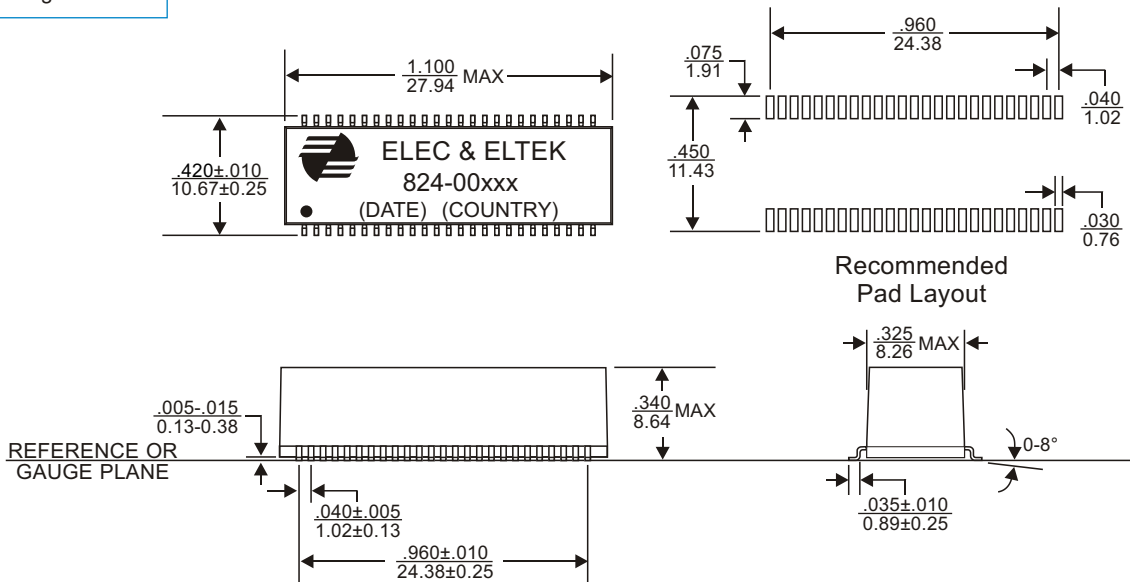
| Part Number | Insertion Loss (dB Max) | Return Loss (dB Min) | | | | | CMRR (dB Min) | Crosstalk (dB Min) | Hipot (Vrms) |
|--------------------------|-------------------------|----------------------|---------|-------|-------|----------|---------------|--------------------|--------------|
| | | .1-100MHz | 1-30MHz | 40MHz | 50MHz | 60-80MHz | | | |
| 824-00182R | 1.0 | 16.0 | 14.4 | 13.1 | 12.0 | 35.0 | 35.0 | 1500 | |
| 824-00183R | 1.0 | 16.0 | 14.4 | 13.1 | 12.0 | 35.0 | 33.0 | 1500 | |
| 824-00264 ^{1,2} | 1.2 | 16.0 | 14.4 | 13.1 | 12.0 | 30.0 | 30.0 | 1500 | |
| 824-00305R | 1.0 | 16.0 | 14.4 | 13.1 | 12.0 | 35.0 | 33.0 | 1500 | |

Notes:

1. Operating temperature -40°C to +85°C.
2. For RoHS compliant version, Please contact EEMPL.

MECHANICAL DIMENSIONS

Package: SO050B

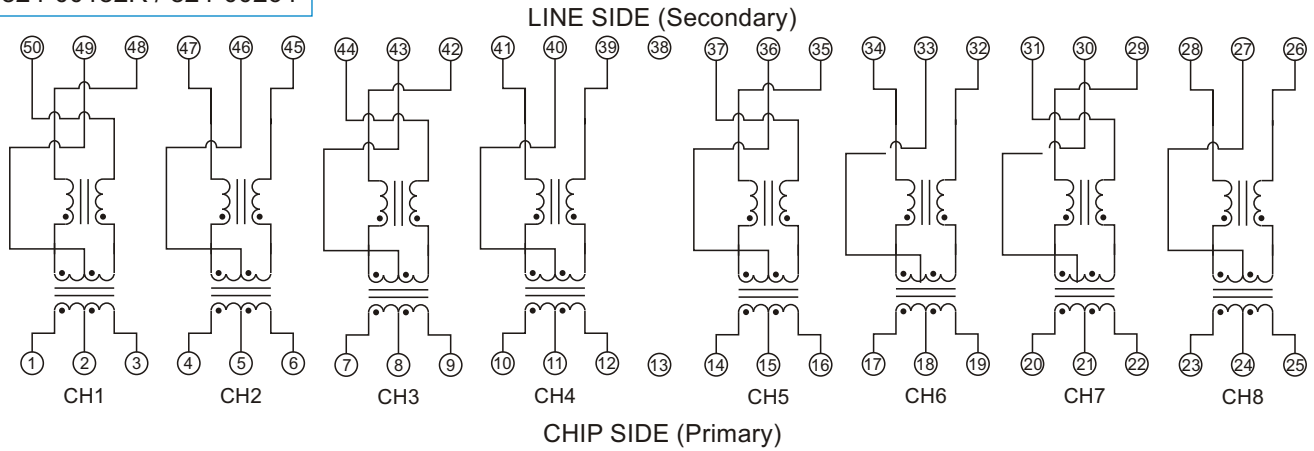


Notes:

3. All dimensions are specified in $\frac{\text{inches}}{\text{mm}}$ with higher precedence in inches.
4. Unless otherwise specified, all tolerances are $\pm \frac{.010}{0.25}$.

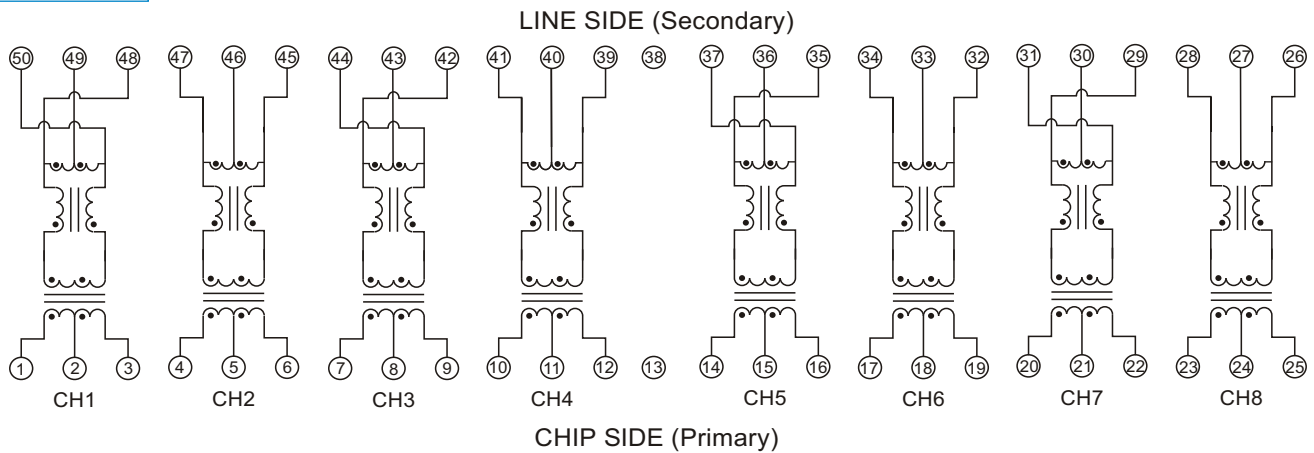


824-00182R / 824-00264



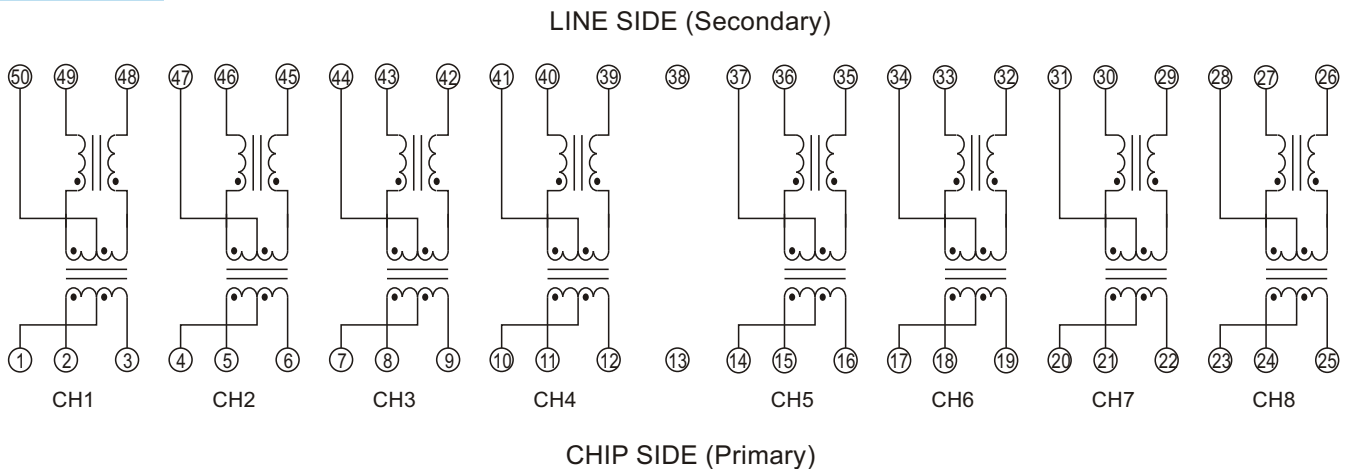
SCHEMATICS

824-00183R



SCHEMATICS

824-00305R





FOR MORE INFORMATION, PLEASE CONTACT

HEADQUARTER

1/F., Harbour View 1, No.12 Science Park East Avenue,
Phase II, Hong Kong Science Park, Shatin, N.T.
Hong Kong

Tel: (852) 2954 3333 Fax: (852) 2954 3304

Email: eempl@eleceltek.com

Website: <http://www.eleceltek.com> / www.eemagnetic.com

Information herein is for reference only and subject to change without notice. It does not constitute any representation, warranty or commitment of the company in respect of the products in any aspect. All logos, brands and product names mentioned herein are trademarks or registered trademarks of their respective owners. The company does not assume any liability arising out of the application or use of any product or circuit described herein. Copyrights 2009, E & E Magnetic Products Limited.