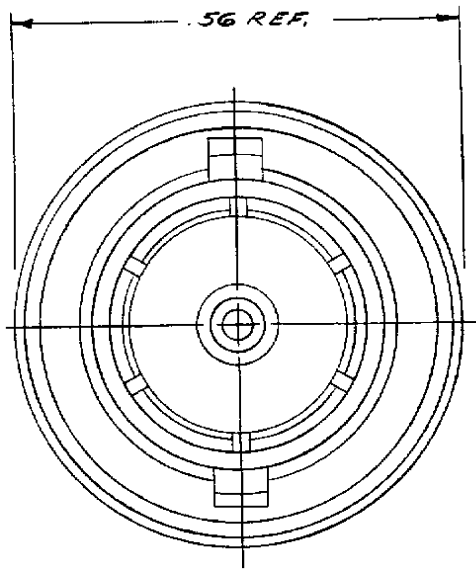
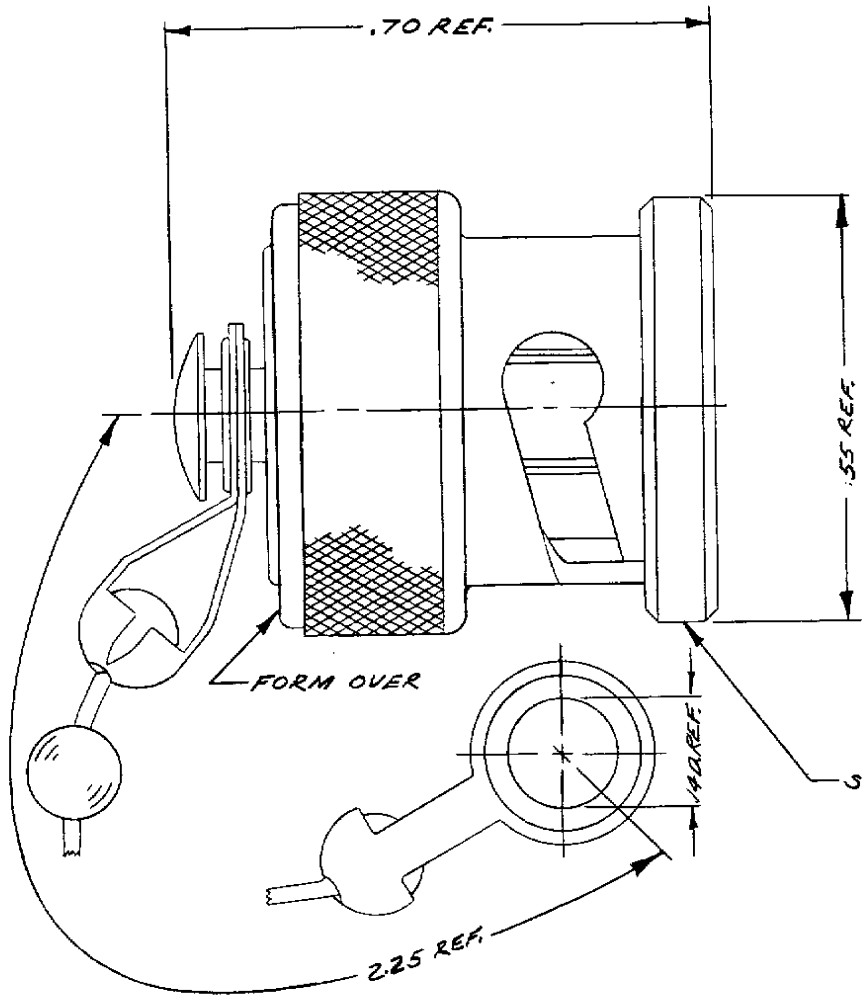


M39012/25-0016

REVISIONS	
IS/REV	CHANGES
3	CN 23169 E JEP 30 APR 82
4	CN 29687 C EAJ 10 MAR 88
5	CN 32297 A LNTA 18 JUN 90



KC-89-93

REP:	SUPERSEDES CW-159/U
FINISH	
SPEC.	
MATL.	
SPEC.	
SHORTING PLUG AND CHAIN	
DRAWN L.R.	DATE 20-4-70
APPN. PAM	DATE 21 Sept 70

KINGS ELECTRONICS
40 MARLBOROUGH ROAD
TUCKAHOE, N. Y. 10707

M39012/25-0016

UNLESS OTHERWISE SPECIFIED:

1. TOLERANCES: FRACTIONS & 2 PLACE DECIMALS ± .010
3 PLACE DECIMALS ± .004 ANGLES ± 0° 30'
2. REMOVE ALL BURRS. BREAK SHARP EDGES .005 MAX.
3. NO FILLETS PERMITTED.
4. SURFACE ROUGHNESS 63 MICRONS RMS MAX.
5. ALL DIMENSIONS PRIOR TO PLATING.

ITEM	REQ'D	DESCRIPTION	DRAWING NO.
			M39012/25-0016

SD