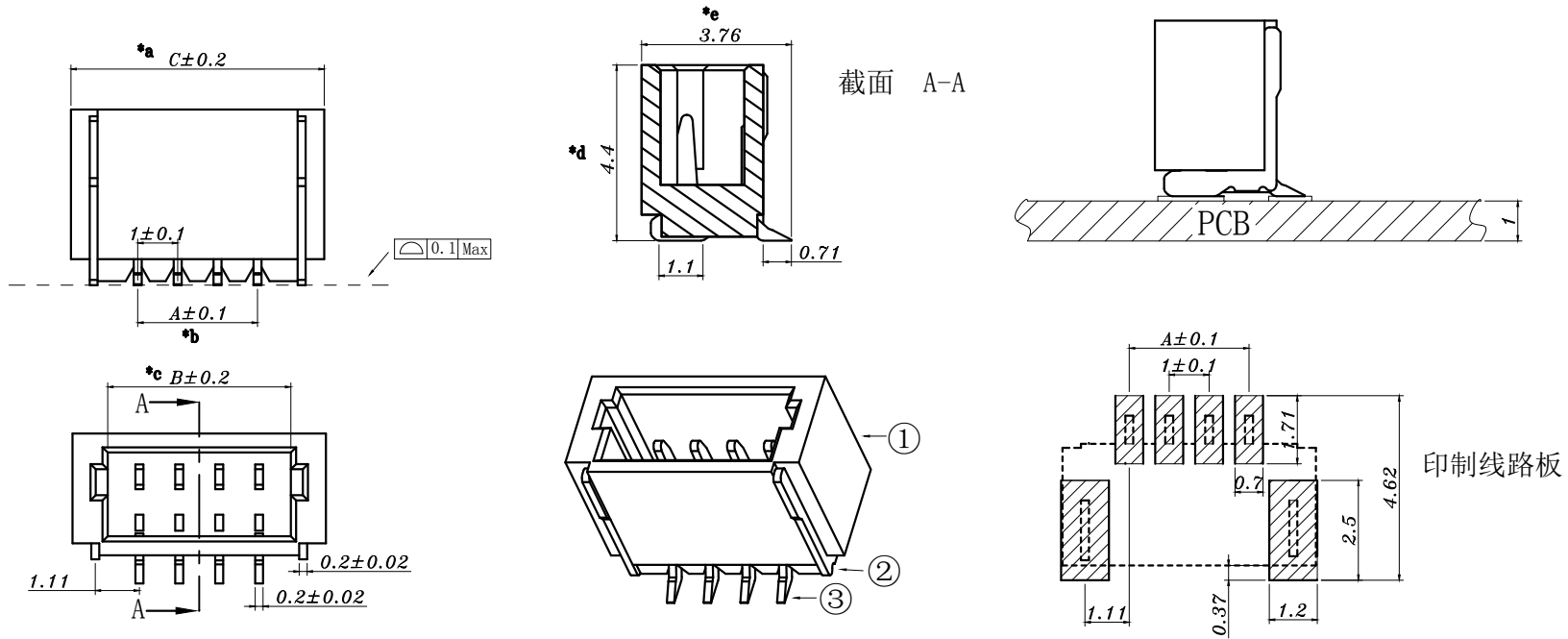


HAUYU



Circuits	Dimensions (mm)			Circuits	Dimensions (mm)		
	A	B	C		A	B	C
SH1000-LT-02	1.0	2.6	4.30	SH1000-LT-12	11.0	12.6	14.30
SH1000-LT-03	2.0	3.6	5.30	SH1000-LT-13	12.0	13.6	15.30
SH1000-LT-04	3.0	4.6	6.30	SH1000-LT-14	13.0	14.6	16.30
SH1000-LT-05	4.0	5.6	7.30	SH1000-LT-15	14.0	15.6	17.30
SH1000-LT-06	5.0	6.6	8.30	SH1000-LT-16	15.0	16.6	18.30
SH1000-LT-07	6.0	7.6	9.30	SH1000-LT-17	16.0	17.6	19.30
SH1000-LT-08	7.0	8.6	10.30	SH1000-LT-18	17.0	18.6	20.30
SH1000-LT-09	8.0	9.6	11.30	SH1000-LT-19	18.0	19.6	21.30
SH1000-LT-10	9.0	10.6	12.30	SH1000-LT-20	19.0	20.6	22.30
SH1000-LT-11	10.0	11.6	13.30				

					<b>TOLERANCE UNLESS SPECIFIED</b>							
					UP TO 5mm: ±0.1	ANGLES						
					ABOVE 5mm: ±0.2	±1.5°			NO	DATE	REVISIONS	BY APPD
					TITLE: CONNECTOR			UNIT : MM	ROHS	DWN		
					PART NO.: SH1000-LT-XX			SCALE: 2:1	COMPLIANT	CHK'D		
					<b>HAUYU(HONGKONG)LIMITED</b>						APPD	
					皓宇(香港)有限公司						PRO.AGL:	⚠
												REV :A0
<b>NO.</b>	<b>PART</b>	<b>NAME</b>	<b>MATERIAL</b>	<b>QTY</b>	<b>FINISHING</b>							

3	CONTACT FOOT	PBS	XX	SN-PLATED
2	CONTACT	PBS	2	SN-PLATED
1	HOUSING	LCP	1	