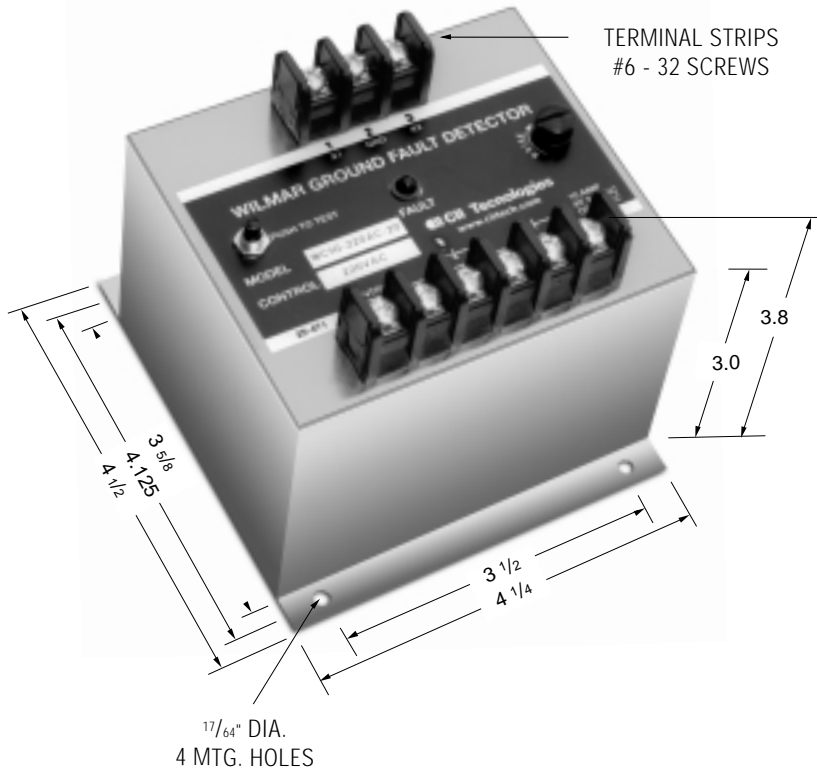


WILMAR™ Protective Relays – WC1G Series - Grounded



Function:

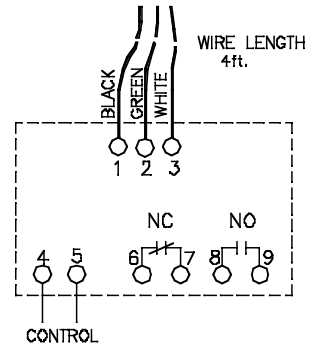
WILMAR Ground Fault Detectors are designed to provide very sensitive Ground-Current protection for motor, equipment and personnel from damage or electrical shock. In a ground system, the leakage current is monitored through a toroidal or doughnut current transformer placed around the supply conductors to a motor, transformer, equipment or outlets. Since the sums of the current in a system add to zero, the relay is responsive only to ground-fault current.

Operation:

The output contacts are shown in de-energized position. They will change state when these conditions are met:

1. Control voltage is applied.
2. Leakage current exceed the trip setting.

Note: Dimensions in inches. Multiply by values by 25.4 for dimensions in mm.



PRODUCT SPECIFICATIONS	
Part Number	WC1G Series
CT Window Diameter	1.7 inches (std) or can be specified by customer
Leakage Current Range	10 to 60 mA
Control Voltage	See Part Number Selection
Output Contacts	One set N.C., one set N.O.
Operating Temperature	40°C to +65°C
Contact Ratings	10 amp resistive at 250 Vac, 8 amp. resistive @ 30 Vdc

PART NUMBER SELECTION	
Sample Part No.	WC1G-120AC
Model:	WC1G-
Control Voltage	120AC 220AC 230AC 380AC 400AC 460AC 480AC 575AC

- Notes:**
1. Remove screw for access to the pick-up adjustment potentiometer.
 2. Clockwise rotation of the adjustment potentiometer will raise the relay sensitivity.