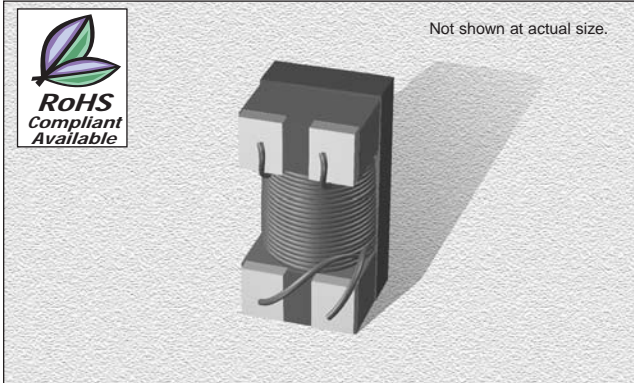


CTDLW21S Series

From 30 Ω to 370 Ω



CHARACTERISTICS

Description: SMD Wire Wound Common Mode Choke Coils for Signal Lines

Applications: Suitable for radiation noise suppression for any electronic devices. Used to counter common mode noise interference within high speed signal lines. Applications like: USB 2.0 Line for personal computers and peripheral devices, IEEE1394 line for personal computers, DVC etc and LVDS, panel link line for crystal display panels.

Operating Temperature: -55°C to +125°C

Testing: Impedance is tested on an HP9287A at 100 MHz

Packaging: Tape & Reel

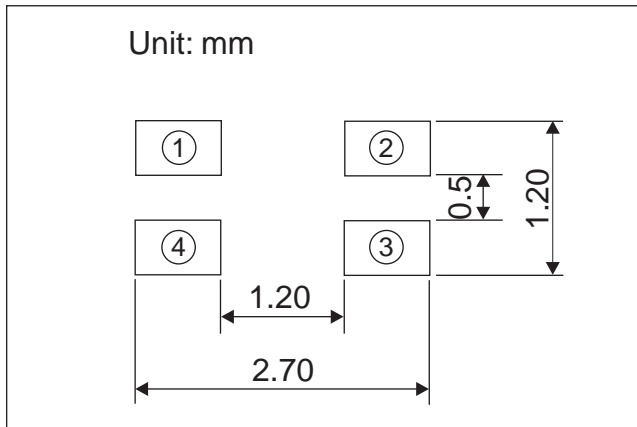
Marking: Reels marked with part number.

Additional Information: Additional electrical & physical information available upon request

Miscellaneous: RoHS Compliant available.

Samples available. See website for ordering information.

PAD LAYOUT



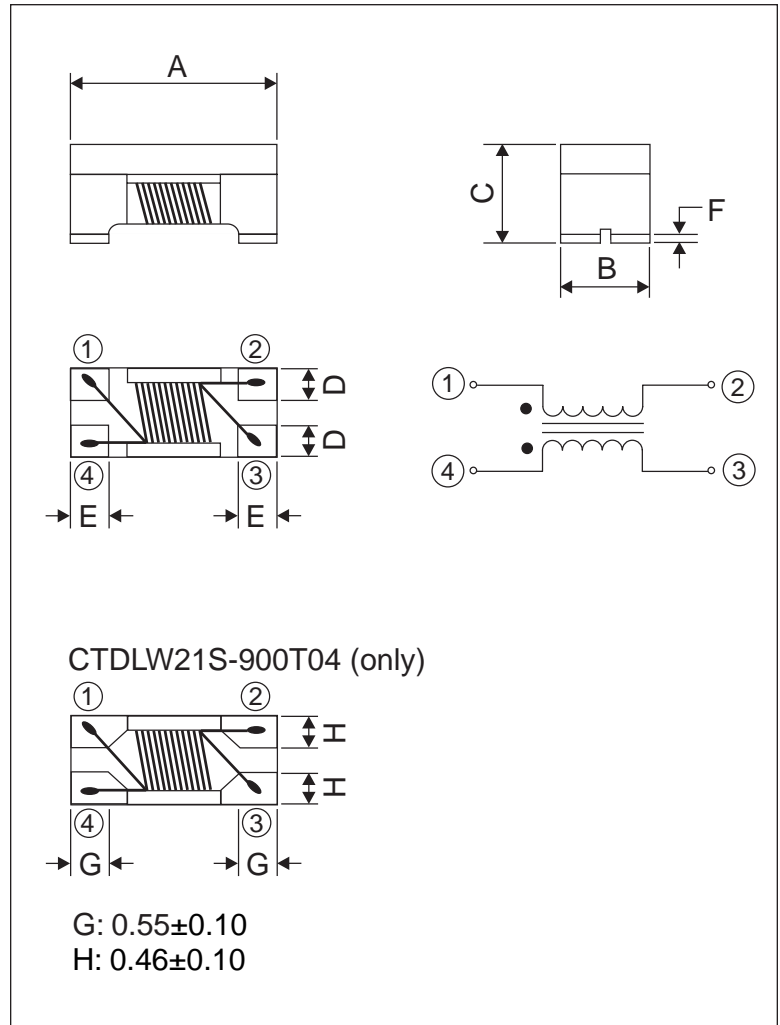
SPECIFICATIONS

CTDLW21SE Please specify "F" for RoHS compliant.

Part Number	Common Mode Imp. @100MHz (Ω)	DCR Max. (Ω)	Rated Current (mA)	Rated Voltage (Vdc)	Withstand Voltage (Vdc)	Insulation Resis. Min. (Ω)
CTDLW21S_-300T04	30±25%	0.20	400	50	125	10M
CTDLW21S_-670T04	67±25%	0.25	400	50	125	10M
CTDLW21S_-900T04	90±25%	0.30	400	50	125	10M
CTDLW21S_-121T04	120±25%	0.30	400	50	125	10M
CTDLW21S_-161T03	160±25%	0.35	350	50	125	10M
CTDLW21S_-181T03	180±25%	0.35	350	50	125	10M
CTDLW21S_-221T03	220±25%	0.40	300	50	125	10M
CTDLW21S_-261T03	260±25%	0.40	300	50	125	10M
CTDLW21S_-301T03	300±25%	0.45	300	50	125	10M
CTDLW21S_-361T01	360±25%	0.50	100	50	125	10M
CTDLW21S_-371T01	370±25%	0.50	100	50	125	10M

PHYSICAL DIMENSIONS

Size	A	B	C	D	E	F
mm	2.0±0.2	1.2±0.2	1.2±0.2	0.4±0.1	0.4±0.1	0.15±0.1
inches	0.079±0.008	0.047±0.008	0.047±0.008	0.016±0.004	0.016±0.004	0.006±0.004



03.30.05