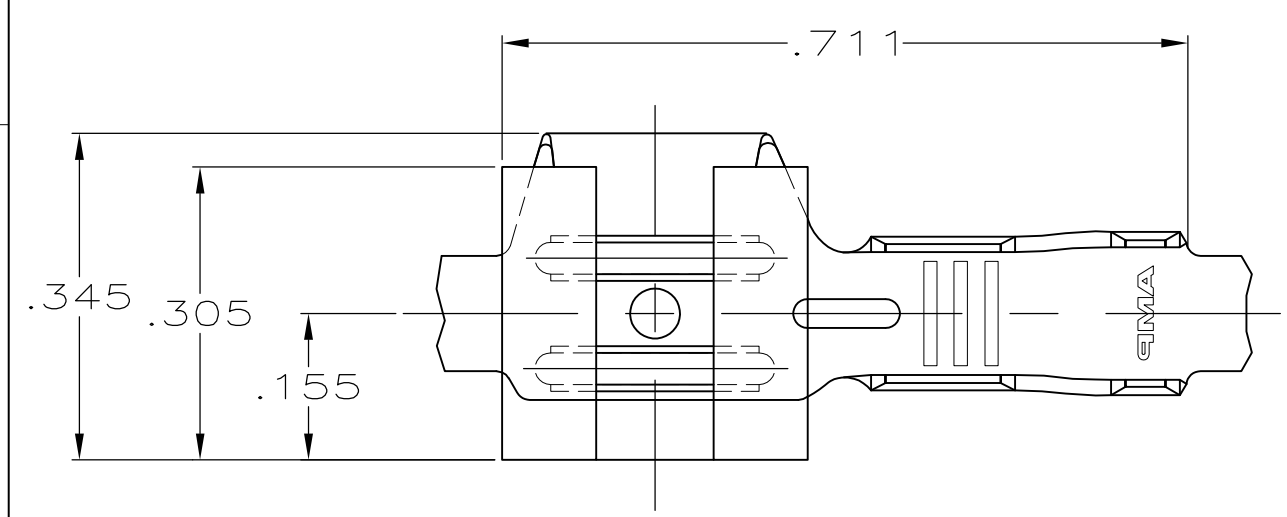
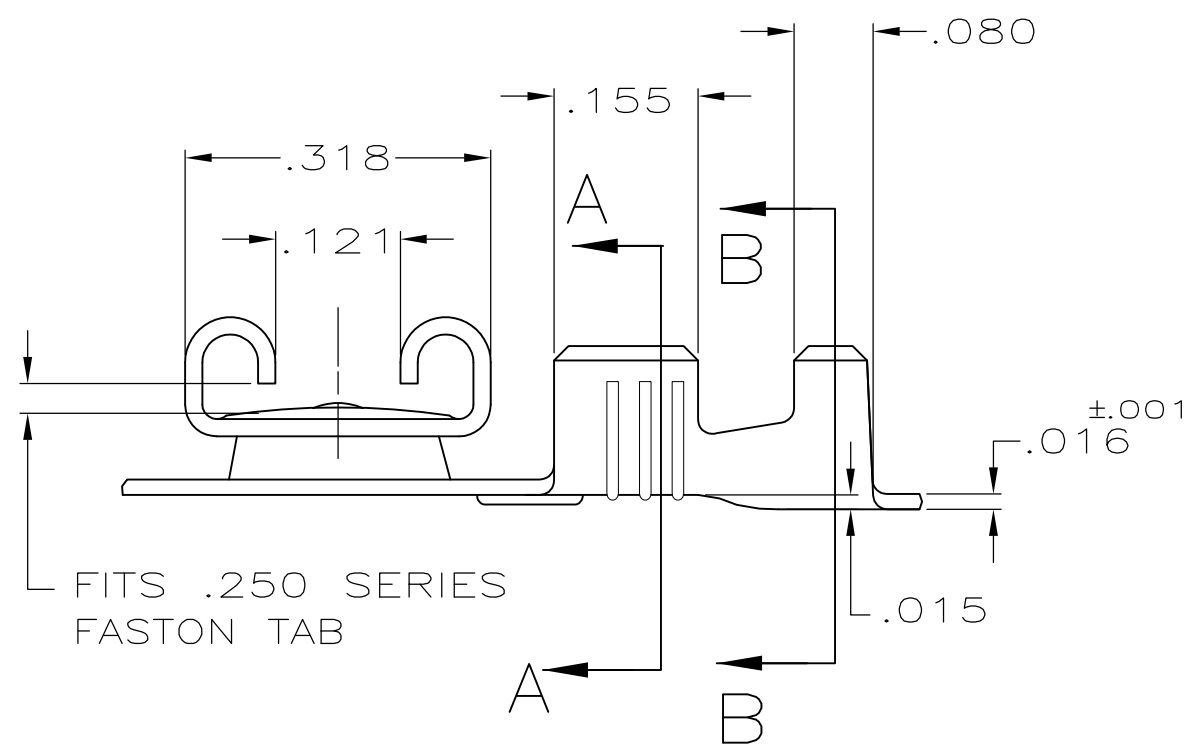


THIS DRAWING IS UNPUBLISHED. RELEASED FOR PUBLICATION
 © COPYRIGHT - By - ALL RIGHTS RESERVED.

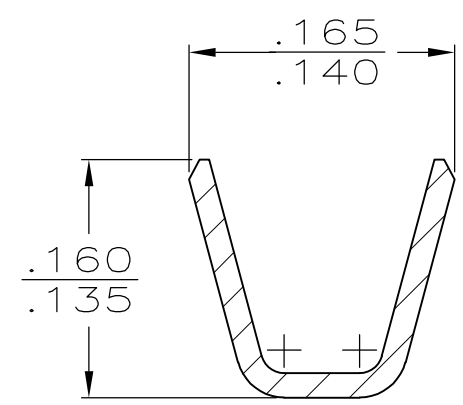
LOC	DIST	REVISIONS			
P	LTR	DESCRIPTION	DATE	DWN	APVD
AF	50	H	REVISED PER ECR-12-013459	28NOV2012	KH PD



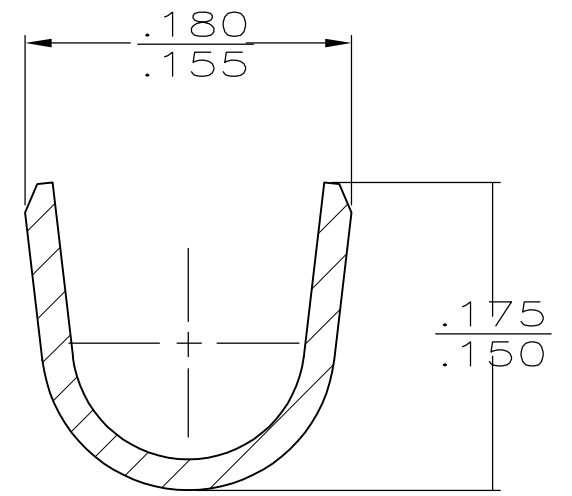
1 CONTINUOUS STRIP ON REELS.



FITS .250 SERIES FASTON TAB


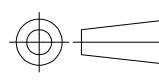


SECTION A-A
SCALE 8:1



SECTION B-B
SCALE 10:1

TIN	.090.-130	18-14	.032	62048-2
-	.090.-130	18-14	.032	62048-1
FINISH	INSUL RANGE	WIRE SIZE	MATING TAB THK ±.001	PART NO

THIS DRAWING IS A CONTROLLED DOCUMENT.		DWN JR RUTH 6/7/91	 TE Connectivity RECEPTACLE, FASTON™, FLAG, REVERSIBLE, .250 SERIES				
DIMENSIONS: INCHES		CHK MS FEHER 6/7/91				NAME	
		APVD C MEYERS 6/7/91				PRODUCT SPEC	
TOLERANCES UNLESS OTHERWISE SPECIFIED:		APPLICATION SPEC				114-2032	
MATERIAL: BRASS		FINISH: SEE TABLE	WEIGHT: -	SIZE: A3	CAGE CODE: 00779	DRAWING NO: C-62048	RESTRICTED TO: -
CUSTOMER DRAWING			SCALE: 5:1	SHEET: 1 OF 1	REV: H		