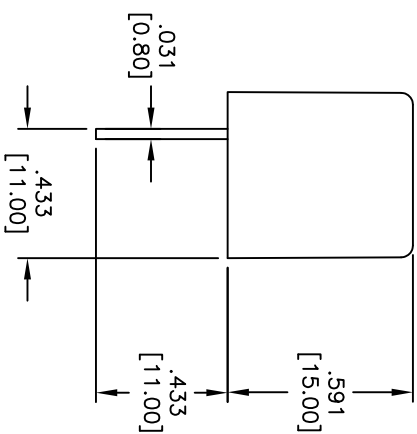
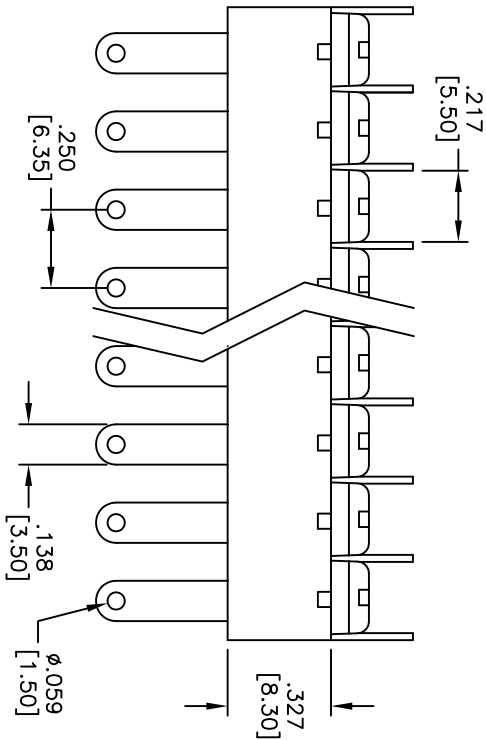
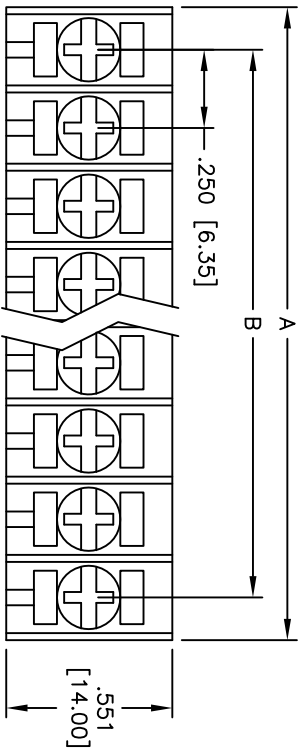


APPROVED: _____
 DATE: _____ TITLE: _____

Rev	AWO #	Description	Date	Appr
-		RELEASED	6/7/05	
A		REDRAWN	9/23/10	



SPECIFICATIONS:

- Material: Nylon 66, rated UL 94V-0
- Insulator color: Black
- Contact: Brass, Tin plated
- Screw: Brass, M3, Nickel plated
- Electrical:
 - Operating voltage: 300 VAC max.
 - Current rating: 10 Amps max.
 - Insulation resistance: 1000 Mohms min @ DC500V
 - Insulation withstands voltage: AC 2000V/min
- Mechanical:
 - Wire range: 18 – 22 AWG
 - Temperature Rating: Operating temperature: -40°C to +120°C
 - Environmental: Lead free, RoHS compliant
 - Recommended soldering temp: 235°C for 5 seconds

Positions: 2 thru 32
 A = .250 [6.35] x No. of Positions + .049 [1.25]
 B = .250 [6.35] x No. of Spaces

ADAM TECH

909 Rahway Avenue, Union, NJ 07083
 Phone: 908-687-5000 Fax: 908-687-5710

TITLE: .250 [6.35] CENTERLINE BARRIER BLOCK
 CLIP TITE TERMINALS, BARRIER ENDS

UNLESS OTHERWISE SPECIFIED ALL DIMENSIONS ARE IN INCHES [MM]		TOLERANCES EXCEPT AS NOTED	
.X	± .10	ØX	± .10
.XX	± .020	ØXXX	± .015
.XXX	± .015	ØXXXX	± .010
APPROVALS		DATE	
DRAWN	SS	6/7/05	
CHECKED			
APPROVED			
SIZE	PART NO.	REF:	SCALE: NTS
X	TBA-XX-04-B	S00031T	
REV.		SHEET	1 OF 1
A			