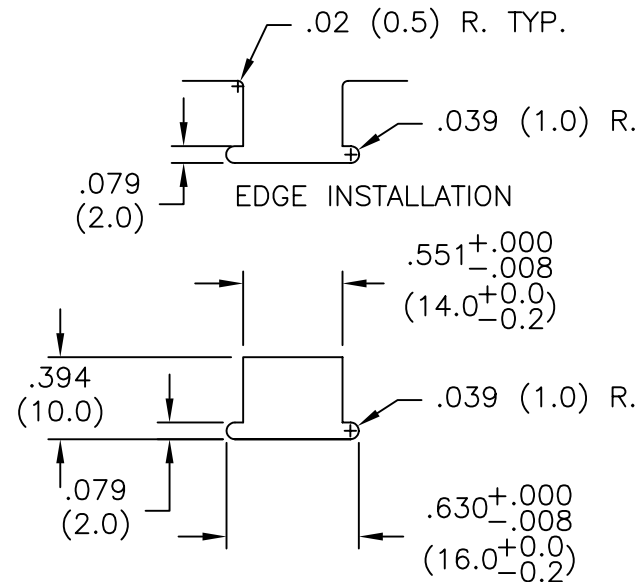


RECOMMENDED INSTALLATION
 PANEL THICKNESS
 RANGE: .032 TO .079
 (0.8 TO 2.0)



NOTES:

1. MATERIAL: NYLON 66 (RMS-01).
 FLAME RETARDANT NYLON (RMS-19)
 AVAILABLE BY SPECIAL ORDER.
2. COLOR: NATURAL.

TITLE: SUPER CORNER SADDLE			DWG IN IN (MM)		FINAL			
TOLERANCES UNLESS NOTED .XX=±.010 .XXX=±.005 FRAC=±1/64 ANG=±1°			FILE # EWSJS	DWN: JB	DT: 10/12/95	PART #		
B	CHANGED NOTE 1, ADDED NOTE 2	SJ 03.27.02	MAT'L: SEE NOTES	CHKD:	ENGR:	EWSJS-1-01		
A	DIM .079 ADDED, INSTALLATION DIM'S PUT TO 3 PLACES	PB 01.04.96	RE: RICHCO, INC.	RICHCO INC. PO BOX 804238, CHICAGO, 60680 (773) 539-4060		PRINT TYPE CA		
REV	DESCRIPTION	ENGR DATE						