



Model Number

SJ30-A2

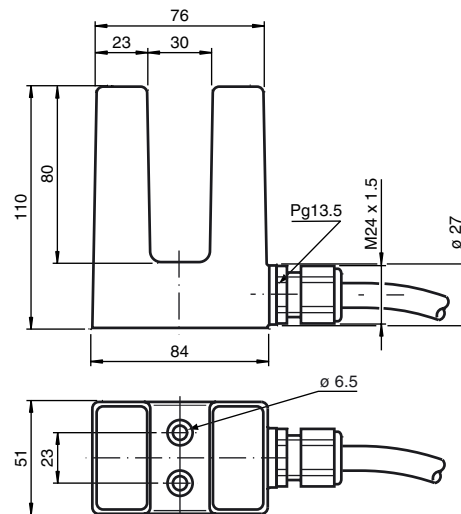
Features

- 30 mm slot width
- 4-wire DC

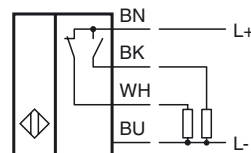
Technical Data

General specifications		
Switching function		complementary
Output type		PNP
Slot width		30 mm
Depth of immersion (lateral)		27 ... 31 mm
Output polarity		DC
Output type		4-wire
Nominal ratings		
Operating voltage	U_B	10 ... 30 V DC
Switching frequency	f	0 ... 150 Hz
Reverse polarity protection		reverse polarity protected
Short-circuit protection		pulsing
Voltage drop	U_d	≤ 3 V
Operating current	I_L	0 ... 200 mA
No-load supply current	I_0	≤ 20 mA
Functional safety related parameters		
MTTF _d		527 a
Mission Time (T _M)		20 a
Diagnostic Coverage (DC)		0 %
Ambient conditions		
Ambient temperature		-25 ... 70 °C (-13 ... 158 °F)
Mechanical specifications		
Connection type		cable PVC , 2 m
Core cross-section		0.75 mm ²
Housing material		ABS
Degree of protection		IP67
Cable		
Cable diameter		6.8 mm ± 0.2 mm
Bending radius		> 10 x cable diameter
Compliance with standards and directives		
Standard conformity		
Standards		EN 60947-5-2:2007 EN 60947-5-2/A1:2012 IEC 60947-5-2:2007 IEC 60947-5-2 AMD 1:2012
Approvals and certificates		
UL approval		cULus Listed, General Purpose
CSA approval		cCSAus Listed, General Purpose
CCC approval		CCC approval / marking not required for products rated ≤36 V

Dimensions



Electrical Connection



Release date: 2019-08-05 14:40 Date of issue: 2019-08-05 000821_eng.xml