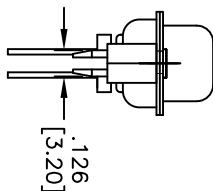
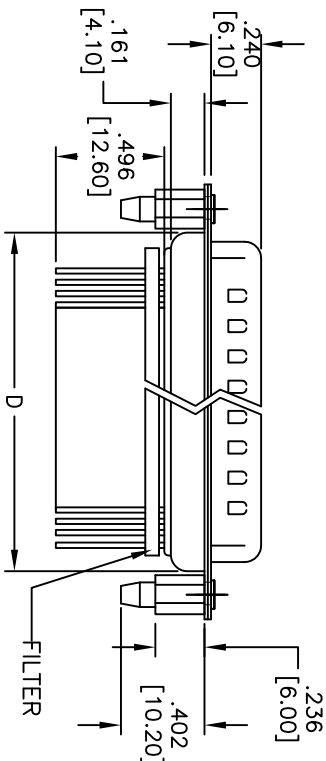
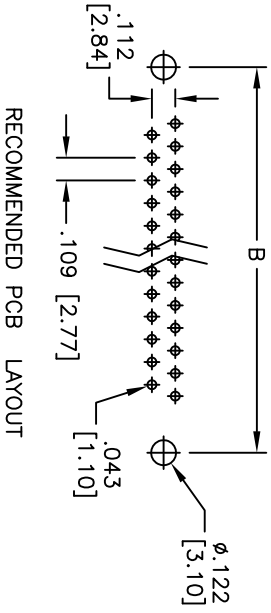
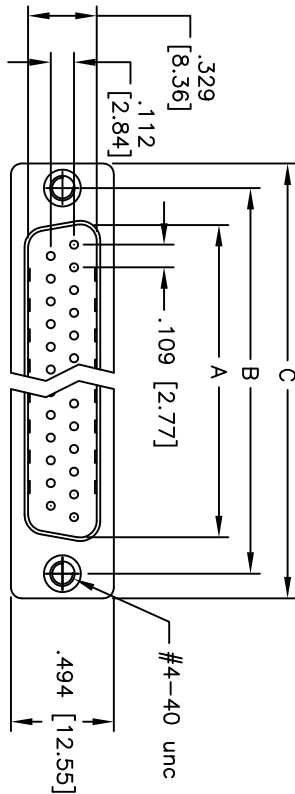


Rev	AWO #	Description	Date	Appr
-		RELEASED	9/21/04	
A		REVISED BOARD LOCK & CHART	4/21/06	
B		REVISED DIM.	7/07/11	

APPROVED: \_\_\_\_\_  
 DATE: \_\_\_\_\_ TITLE: \_\_\_\_\_



DXXX	NO. OF CONTACTS	DIMENSIONS			
		A	B	C	D
DE09	9	.666 [16.92]	.984 [24.99]	1.213 [30.81]	.756 [19.20]
DA15	15	.994 [25.25]	1.312 [33.32]	1.541 [39.14]	1.091 [27.70]
DB25	25	1.534 [38.96]	1.852 [47.04]	2.088 [53.04]	1.618 [41.10]
DC37	37	2.182 [55.42]	2.500 [63.50]	2.729 [69.32]	2.256 [57.30]

SPECIFICATIONS:  
 Material: PBT, glass reinforced, rated UL 94V-0  
 Insulator color: Black  
 Contacts: Copper Alloy  
 Shell: Steel, Tin plated  
 Hardware: Brass, Tin plated  
 Plating: Gold flash over Nickel underplate overall  
 Electrical: Operating voltage: 250 VAC  
 Current rating: 3 Amps  
 Contact resistance: 20 mohms max  
 Insulation resistance: 1,000 Mohms @ 500VDC  
 Dielectric withstanding voltage: 1,000 VAC for 1 minute  
 Environmental: Lead free, RoHS compliant  
 Recommended soldering temp: 235°C for 5 seconds



**ADAM TECH**

909 Rahway Avenue, Union, NJ 07083  
 Phone: 908-687-5000 Fax: 908-687-5710

D-SUB, MALE STRAIGHT, EMI  
 WIRE WRAP TAILS, BOARD LOCKS

UNLESS OTHERWISE SPECIFIED ALL DIMENSIONS ARE INCHES [MM]		TOLERANCES: EXCEPT AS NOTED	
.X	± .10	ØXX	± .10
.XX	± .020	ØXXX	± .015
.XXX	± .015	ØXXXX	± .010
APPROVALS		DATE	
DRAWN	SS	9/21/04	
CHECKED			
APPROVED			
TITLE		PART NO.	
D-SUB, MALE STRAIGHT, EMI		DXXX-PT-2-BL-EMI	
WIRE WRAP TAILS, BOARD LOCKS		REV. B	
REF: S00087T	SCALE: NTS	SHEET 1 OF 1	