

RJ45 Single USB Jack with 10/100 Base-TX Magnetic

ARJU21A

RoHS/RoHSII Compliant



16.78 x 21.08 x 26.00 mm

FEATURES:

- Tab up RJ45 Jack + USB
- Available with or without LED
- Suitable CAT 5 & 6 cable and UTP
- Comply IEEE 802.3ab
- LAN Magnetic with RJ4
- Suitable for RoHS compliant reflow

APPLICATIONS:

- 10 and 100 Base-TX
- NIC, LoM and PC

STANDARD SPECIFICATIONS

Operating temperature range: 0°C to +70°C Storage temperature range: -40°C to +85°C

Part Number	Turns Ratio $\pm 5\%$		EMI Fingers	LEDs L/R	Insertion Loss (dB max) 1 - 100 MHz	Return Loss (dB MIN @100 Ω \pm 15 Ω)		
	TX	RX				1 - 30 MHz	30 - 60 MHz	60 - 80 MHz
ARJU21A-MCSA-AD-B-EMU2	1CT:1CT	1CT:1CT	Yes	GO/Y	-1.0dB	-18dB	-18+20Log(F/30MHz)	-12dB

Part Number	Crosstalk (dB TYP)	Common Mode Rejection (dB MIN)	DCMR (dB MIN)	Hipot (Vrms)
	0.5 - 100 MHz	0.3 - 100 MHz	1 - 100 MHz	@ 60Hz
ARJU21A-MCSA-AD-B-EMU2	-35dB	-30dB	-35dB	1500

OPTIONS AND PART IDENTIFICATION

ARJU21A - [] [] - [] - [] - [] [] [] []

Mechanical	Schematic	Left LED color (e.g. B for Yellow, AB for Green-Yellow)	Right LED color (e.g. B for Yellow, AB for Green-Yellow)	LED polarity	Turns Ratio (Tx)	Turns Ratio (Rx)	Gold plating
MA ~ MD (Please see mechanical section)	SA (Please see schematic section)	Blank: No LED A: Green B: Yellow C: Amber D: Orange	Blank: No LED A: Green B: Yellow C: Amber D: Orange	Blank: No LED E ~ G (Please see 7.0 LED polarity section)	K: 1CT:1.41 L: 1CT:1 M: 1CT:1CT N: 1.414:1CT O: 1CT:1.41CT P: 1:2CT Q: 1:1.414CT R: 1CT:2.5	S: 1CT:1.41 T: 1CT:1 U: 1CT:1CT V: 1.414:1CT W:1CT:1.41CT X: 1:2CT Y: 1:1.414CT Z: 1CT:2.5	1: 3u “ 2: 6u “ 3: 15u “ 4: 30u “ 5: 50u “



RJ45 Single USB Jack with 10/100 Base-TX Magnetic

ARJU21A

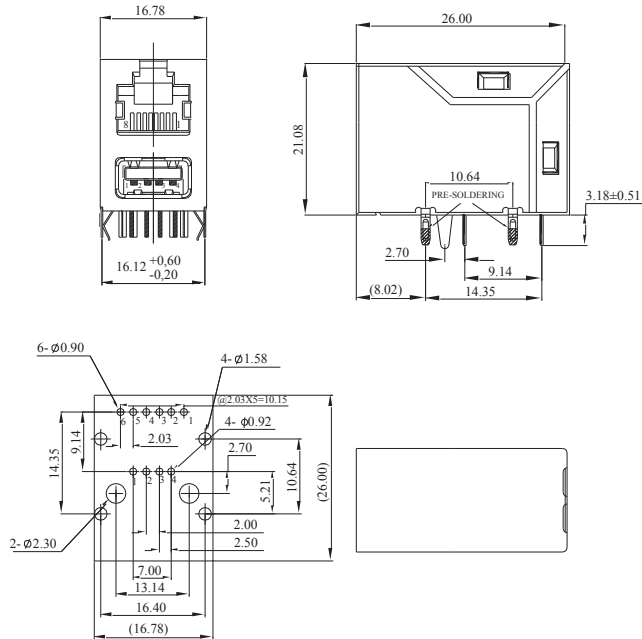
RoHS
Compliant



16.78 x 21.08 x 26.00 mm

MECHANICAL DIMENSIONS

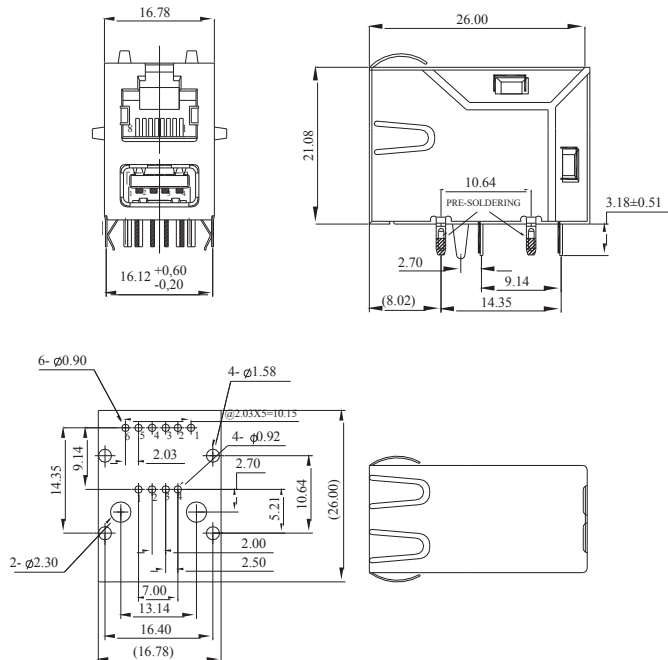
MA



PC Board Layout
Component Side Shown

n

MB



PC Board Layout
Component Side Shown

l

RJ45 Single USB Jack with 10/100 Base-TX Magnetic

ARJU21A

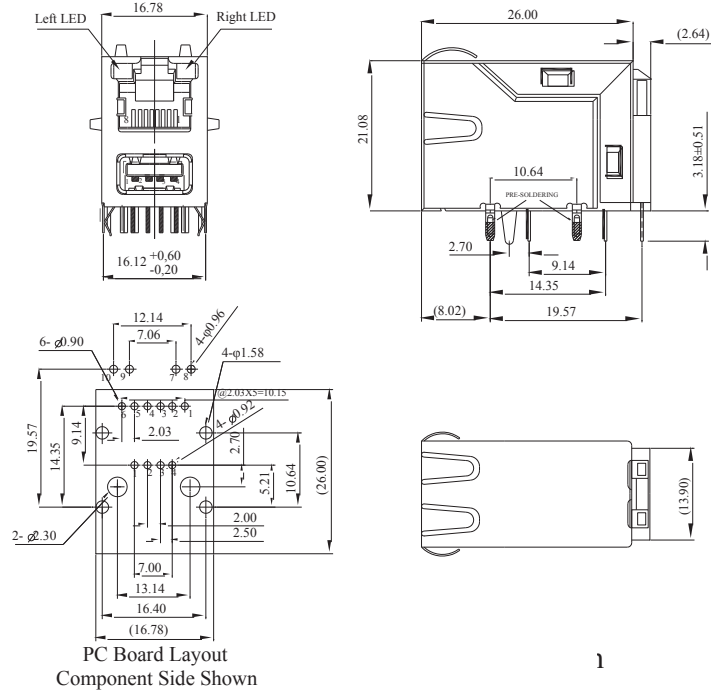
RoHS
Compliant



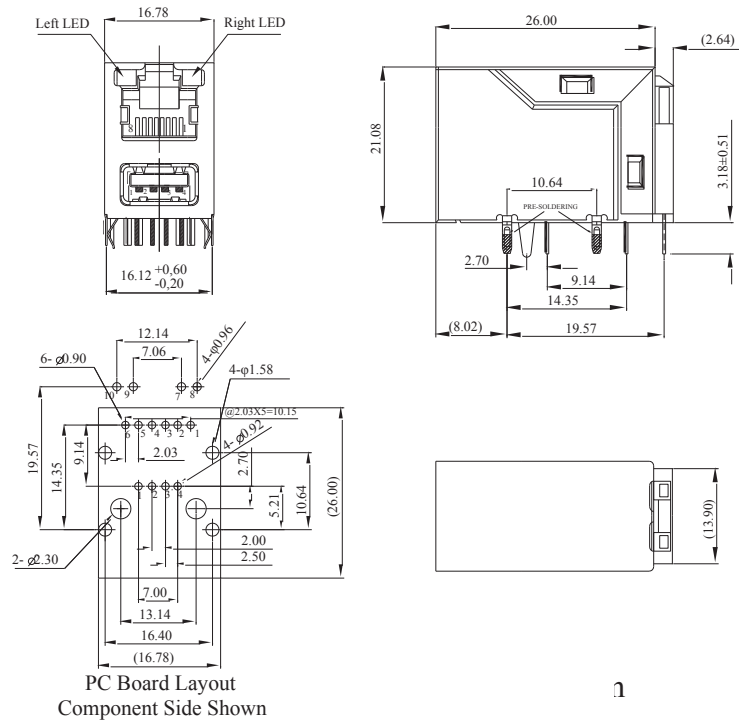
16.78 x 21.08 x 26.00 mm

MECHANICAL DIMENSIONS

MC

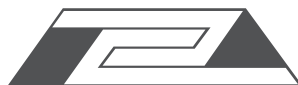


MD



Dimension: mm. All tolerances are ± 0.25 unless otherwise specified

ABRACON IS
ISO 9001:2008
CERTIFIED



ABRACON
CORPORATION

Visit www.abracon.com for Terms & Conditions of Sale
30332 Esperanza, Rancho Santa Margarita, California 92688
tel 949-546-8000 | fax 949-546-8001 | www.abracon.com

Revised: 01.23.14

RJ45 Single USB Jack with 10/100 Base-TX Magnetic

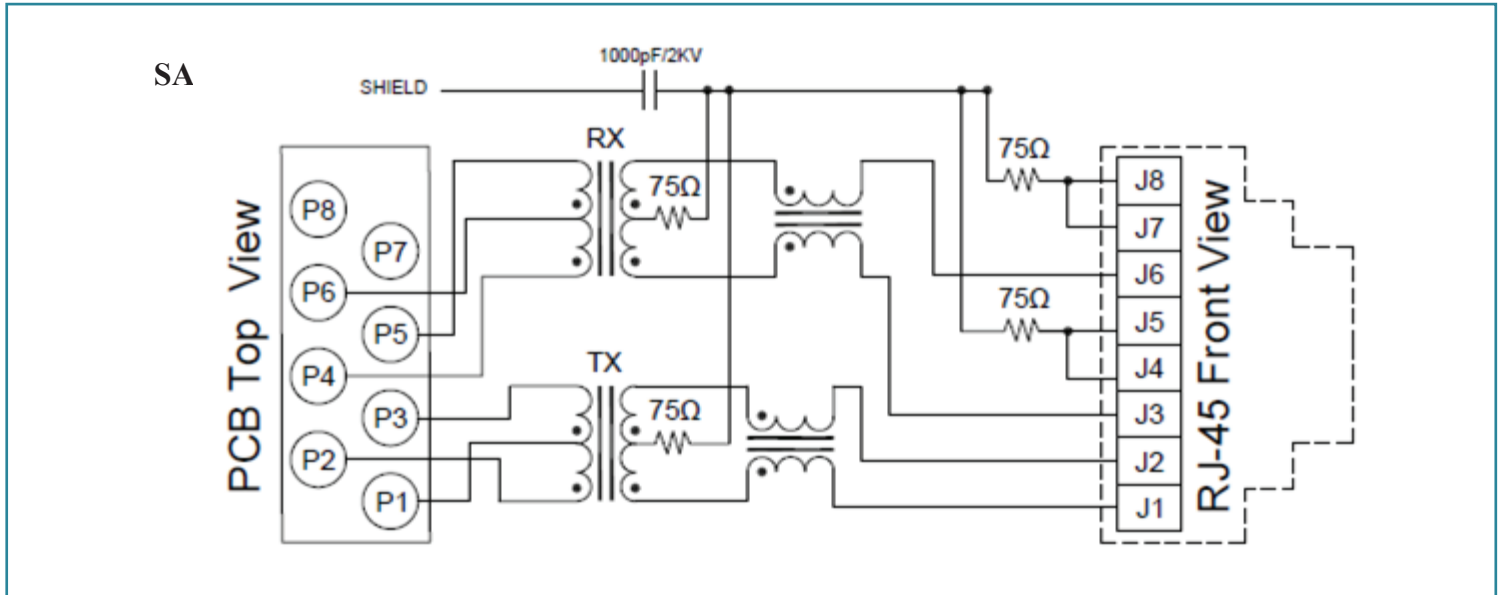
ARJU21A

RoHS
Compliant

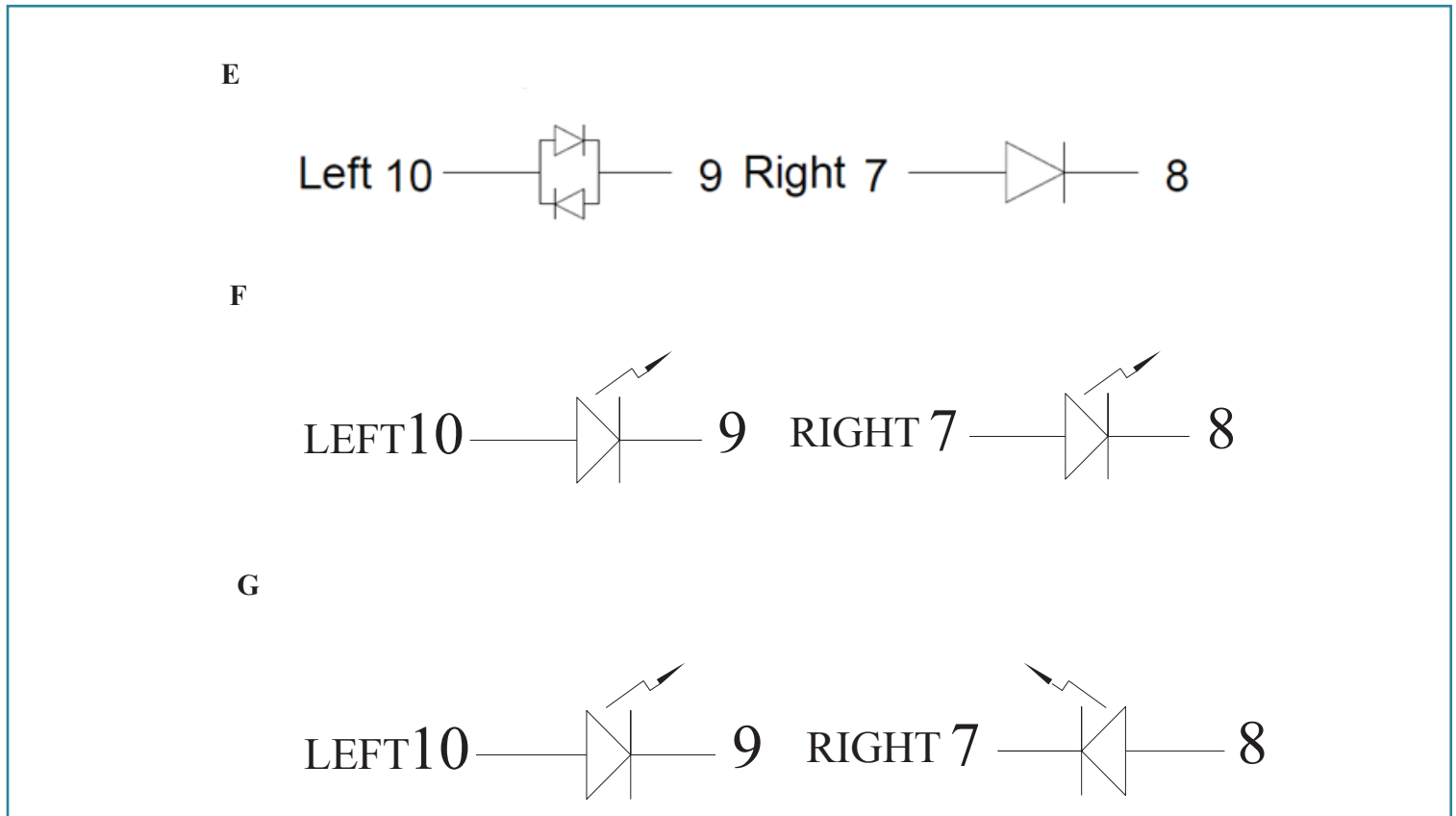


16.78 x 21.08 x 26.00 mm

SCHEMATICS



LED POLARITY



RJ45 Single USB Jack with 10/100 Base-TX Magnetic

ARJU21A

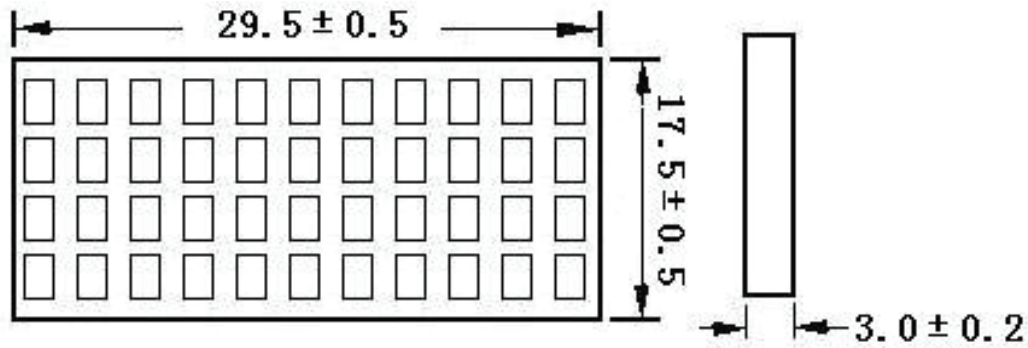
RoHS
Compliant



16.78 x 21.08 x 26.00 mm

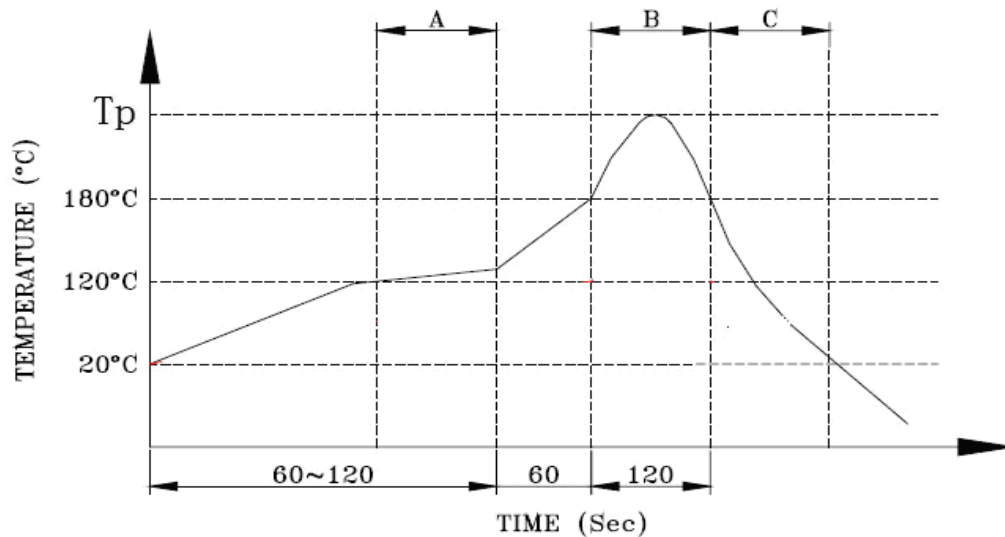
PACKING: 44pcs/tray

Packaging material: PET



Dimensions: cm

WAVE SOLDERING PROFILE:



— PIN TEMPERATURE

A. Preheating B. Soldering C. Gradual Cooling

Peak temperature(T_p) : $250 \pm 10^\circ\text{C}$

Peak temperature(T_p) time : 5sec max

ATTENTION: Abracon Corporation's products are COTS – Commercial-Off-The-Shelf products; suitable for Commercial, Industrial and, where designated, Automotive Applications. Abracon's products are not specifically designed for Military, Aviation, Aerospace, Life-dependant Medical applications or any application requiring high reliability where component failure could result in loss of life and/or property. For applications requiring high reliability and/or presenting an extreme operating environment, written consent and authorization from Abracon Corporation is required. Please contact Abracon Corporation for more information.

ABRACON IS
ISO 9001:2008
CERTIFIED



ABRACON
CORPORATION

Visit www.abracon.com for Terms & Conditions of Sale
30332 Esperanza, Rancho Santa Margarita, California 92688
tel 949-546-8000 | fax 949-546-8001 | www.abracon.com

Revised: 01.23.14