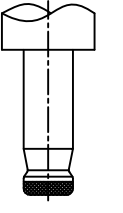
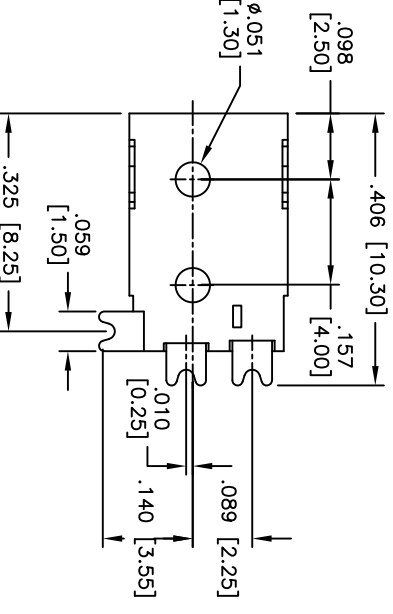
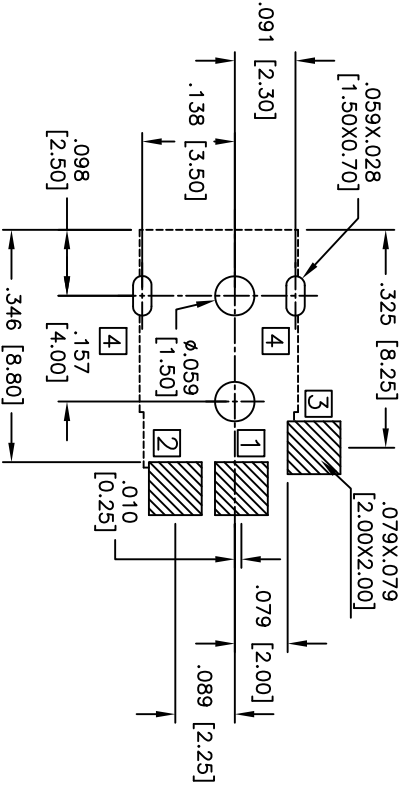
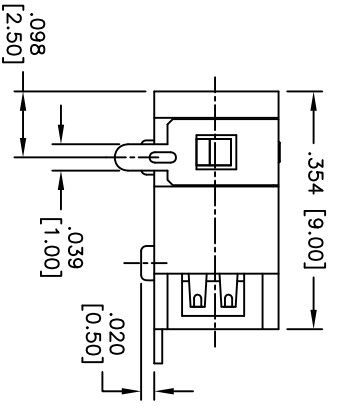
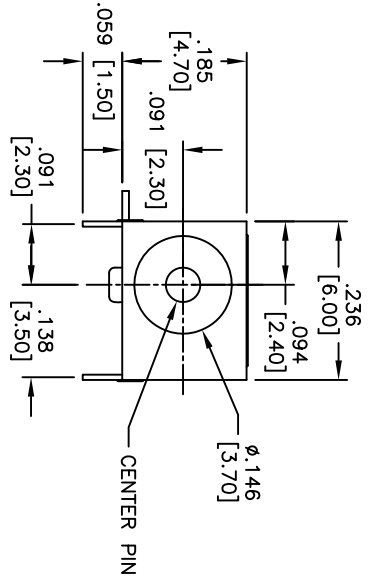


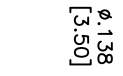
Rev	AWO #	Description	Date	Appr
-		RELEASED	7/27/10	

APPROVED: \_\_\_\_\_  
 DATE: \_\_\_\_\_ TITLE: \_\_\_\_\_



DC MALE PLUG

PART NO.	CENTER PIN DIA.
ADC-037A-3	φ.039 [1.00]
ADC-037A-4	φ.051 [1.30]



RECOMMENDED PCB LAYOUT (TOP VIEW)

**SPECIFICATIONS:**

- Material: LCP rated UL 94V-0
- Insulator color: Black
- Contacts: Copper Alloy, Silver plated
- Center Pin: Brass, Nickel plated
- Electrical:
  - Operating voltage: 12 VDC max.
  - Current rating: 1 Amps
  - Contact resistance: 30 mohms max.
  - Insulation resistance: 100 Mohms min.
  - Dielectric withstanding voltage: 500 VAC for 1 minute
  - Temperature Rating:
    - Operating temperature: -20°C to +70°C
- Environmental:
  - Lead free, RoHS compliant
  - Recommended soldering temp: 260°C for 5 sec.

**ADAM TECH**

909 Railway Avenue, Union, NJ 07083  
 Phone: 908-687-5000 Fax: 908-687-5710

DC POWER JACK, 1.00mm, 1.30mm CENTER PIN

UNLESS OTHERWISE SPECIFIED ALL DIMENSIONS ARE IN INCHES [MM]	
TOLERANCES: EXCEPT AS NOTED	
INCHES	HOLES
.X ± .10	ØX ± .10
.XX ± .020	ØXXX ± .015
.XXX ± .015	ØXXXX ± .010
APPROVALS	DATE
DRAWN	7/27/10
CHECKED	
APPROVED	

SIZE	PART NO.	REV.
X	ADC-037A-X	-
REF:	S00002C	SHEET 1 OF 1
SCALE:	NTS	