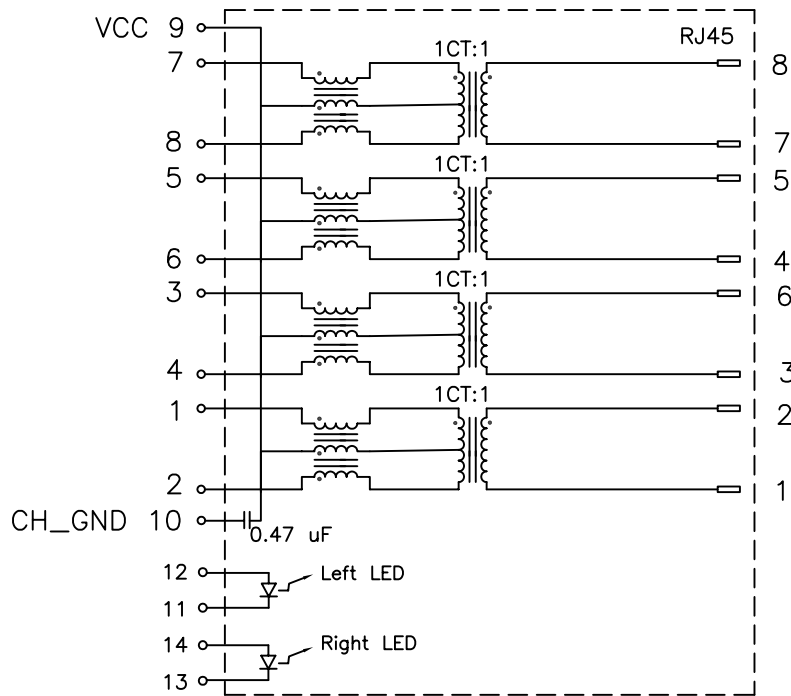


Schematic:



Electrical Specifications: 25°C

- URNS RATIO: TX 1CT:1±3%, RX 1CT:1±3%
- Isolation Voltage: 1500 Vrms (INPUT to OUTPUT)
- Insertion Loss (0.1MHz–100MHz): –0.8dB Max
- Insertion Loss (100MHz–125MHz): –1.2dB Max
- Return Loss: –18dB Min. @0.5MHz–40MHz
–12+20 log(f/80MHz) Min @40MHz–100MHz
- Crosstalk : –33+20log(f/100MHz)dB Min
- Common to Differential Mode Rejection @100KHz–100MHz: –35dB Min
- Common to Common Mode Rejection @100KHz–100MHz: –30dB Min

Complete the Combo P/N as follows:

Replace 'x' & 'u' in the part number with one of the LED color letters:

Y=Yellow	'x' = Left LED Color
G=Green	'u' = Right LED Color
A=Amber	
R=Red	
C=Green(1)/Amber(2) Bicolor	
D=Amber(1)/Green(2) Bicolor	
M=Green(1)/Yellow(2) Bicolor	
N=Yellow(1)/Green(2) Bicolor	
P=Red(1)/Green(2) Bicolor	
Q=Green(1)/Red(2) Bicolor	

Single Color LED: Bi-Color LED:

Notes:

1. Solderability: Leads shall meet MIL–STD–202G, Method 208H for solderability.
2. Flammability: UL94V–0
3. ASTM oxygen index: > 28%
4. Insulation System: Class F 155°C. UL file E151556
5. Operating Temperature Range: All listed parameters are to be within tolerance from –40°C to +85°C
6. Storage Temperature Range: –55°C to +125°C
7. Aqueous wash compatible
8. Electrical and mechanical specifications 100% tested
9. RoHS Compliant Component

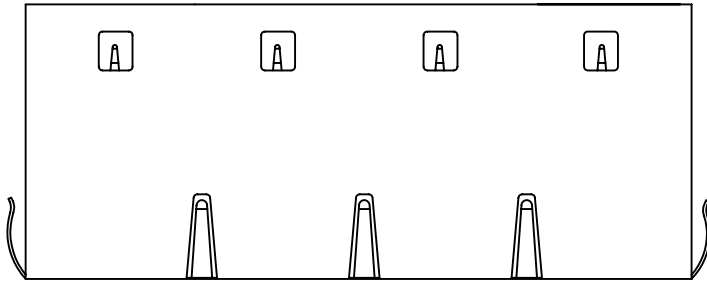
DOC. REV. A/1

XFMRs Inc.		Title: 4 PORT COMBO w/LED	
UNLESS OTHERWISE SPECIFIED		P/N: XFGIG8C–CTGxu4–4M	REV. A
TOLERANCES: .xxx ±0.010		DWN.	罗振江 Oct–07–09
Dimensions in Inch		CHK.	廖玉坤 Oct–07–09
SHEET 1 OF 2		APP.	BW Oct–07–09

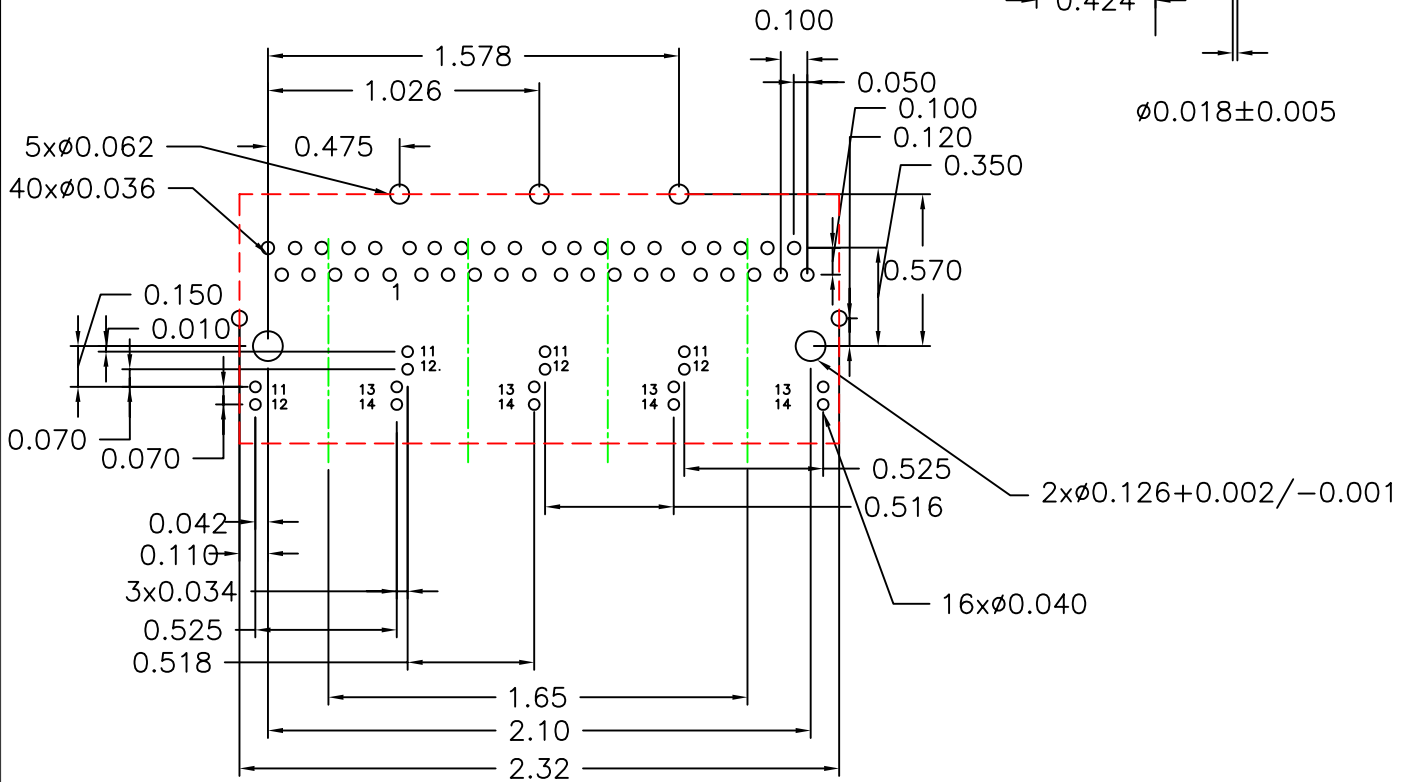
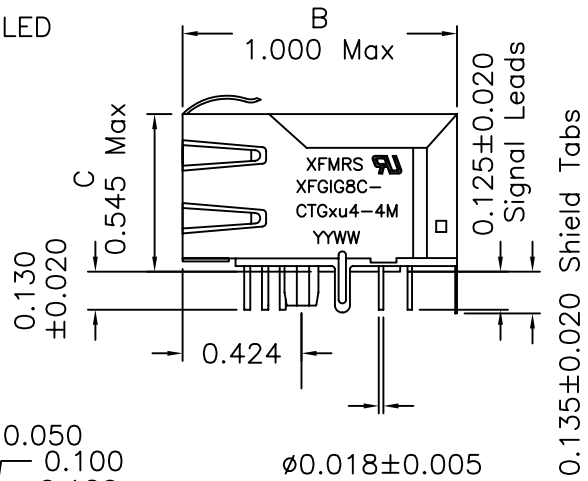
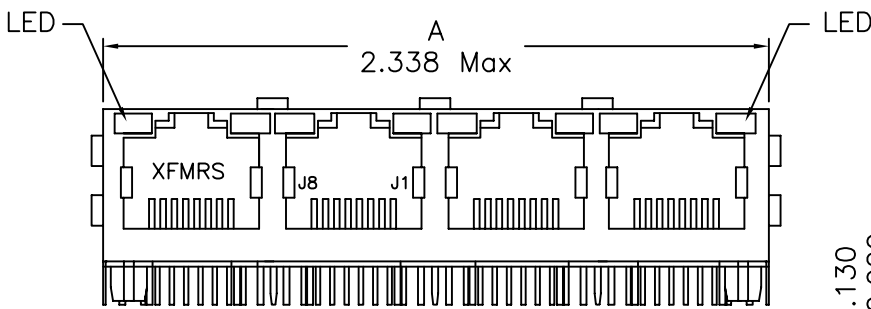
PROPRIETARY:

Document is the property of XFMRs Group & is not allowed to be duplicated without authorization.

Mechanical Dimensions: (FOR CTGxu4-4M)



Top view



Four Port Suggested Footprint: (Top View)

DOC REV: A/1

XFMRs Inc
www.XFMRs.com

Title: "1" INCH 1x4 PORT COMBO
TAB UP

UNLESS OTHERWISE SPECIFIED
TOLERANCES:
.xxx ±0.010
Dimensions in Inch

P/N: XFGIG8C-CTGxu4-4M

REV. A

DWN.

Xiany

Oct-07-09

CHK.

YK Liao

Oct-07-09

APP.

BW

Oct-07-09

PROPRIETARY

Document is the property of XFMRs Group & is not allowed to be duplicated without authorization.

SHEET 2 OF 2