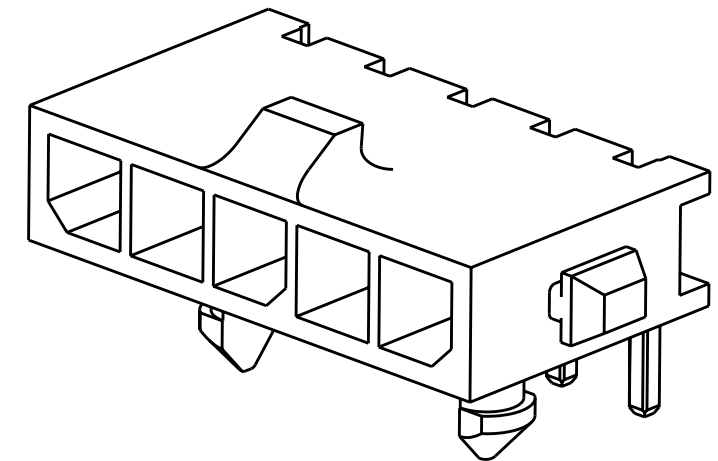
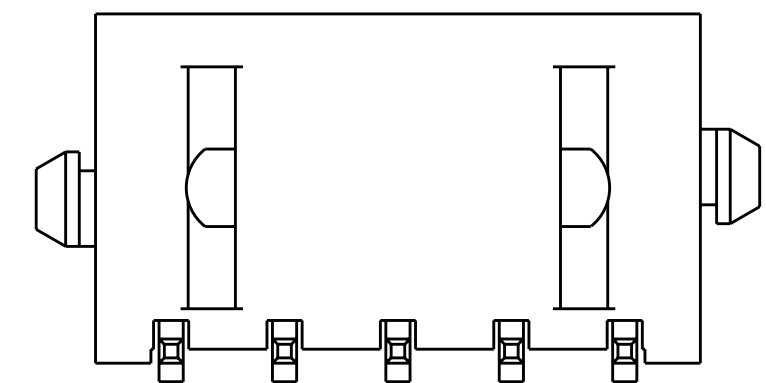
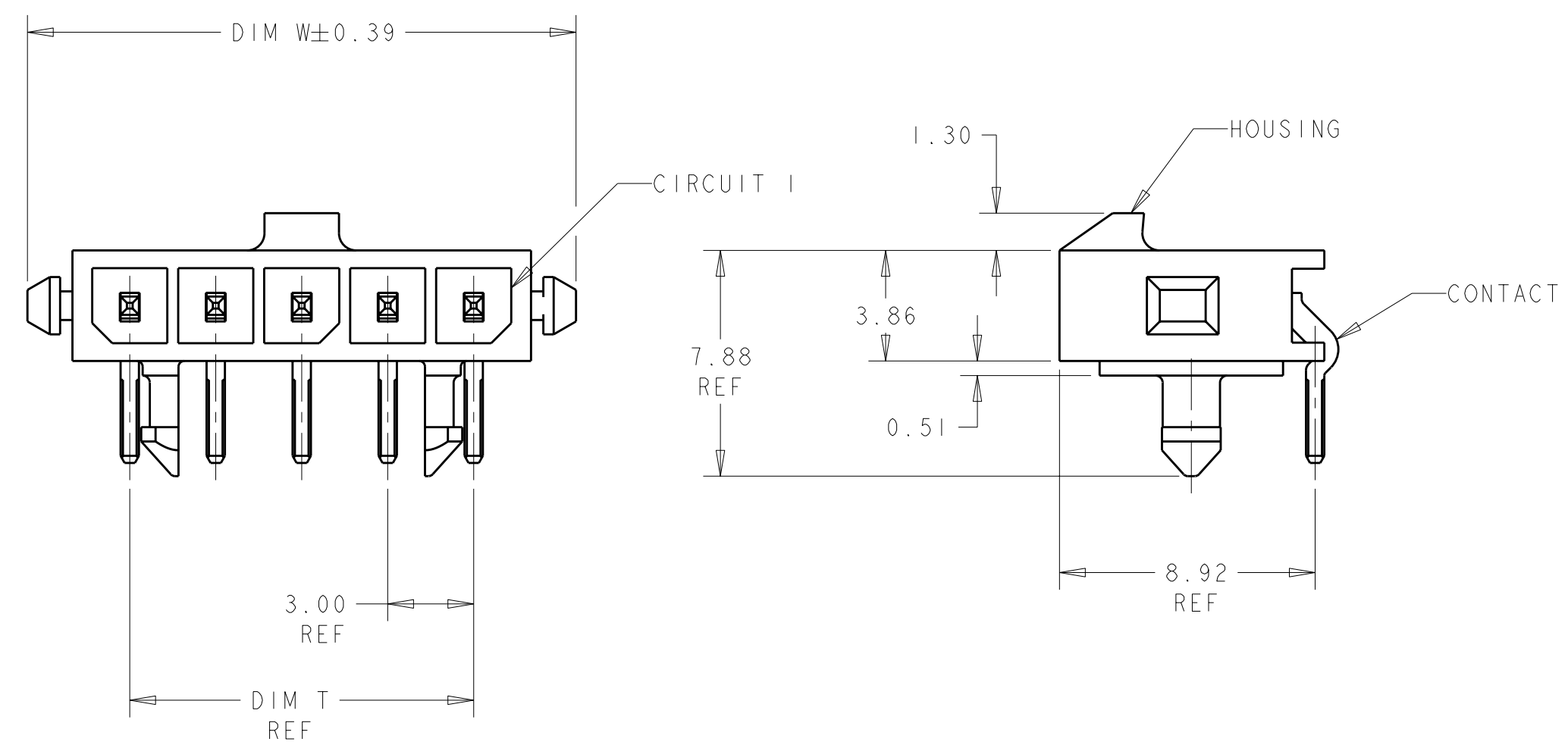


THIS DRAWING IS UNPUBLISHED. RELEASED FOR PUBLICATION 20  
 © COPYRIGHT 20 BY - ALL RIGHTS RESERVED.

| LOC | DIST | REVISIONS |     |                           |           |     |      |
|-----|------|-----------|-----|---------------------------|-----------|-----|------|
| CM  | 00   | P         | LTR | DESCRIPTION               | DATE      | DWN | APVD |
|     |      |           | AI  | REVISED PER ECO-11-005027 | 14MAR2011 | RK  | HMR  |



- 1 MATERIAL: CONTACTS - BRASS  
HOUSING - UL 94V-0 RATED HIGH TEMP NYLON, COLOR BLACK.
- 2 PLATING: CONTACTS - 2.54µm MINIMUM TIN-LEAD OVER 1.27µm MINIMUM NICKEL.
- 4 RECOMMENDED PC BOARD THICKNESS OF 1.57.
- 5 PLATING: CONTACTS - 2.54µm MINIMUM MATTE TIN OVER 1.27µm MINIMUM NICKEL.

|        |       |       |       |       |             |             |
|--------|-------|-------|-------|-------|-------------|-------------|
| 5      | 33.00 | 28.70 | 33.00 | 40.14 | 12          | 3-1445055-2 |
| 5      | 30.00 | 25.70 | 30.00 | 37.14 | 11          | 3-1445055-1 |
| 5      | 27.00 | 22.70 | 27.00 | 34.14 | 10          | 3-1445055-0 |
| 5      | 24.00 | 19.70 | 24.00 | 31.14 | 9           | 2-1445055-9 |
| 5      | 21.00 | 16.70 | 21.00 | 28.14 | 8           | 2-1445055-8 |
| 5      | 18.00 | 13.70 | 18.00 | 25.14 | 7           | 2-1445055-7 |
| 5      | 15.00 | 10.70 | 15.00 | 22.14 | 6           | 2-1445055-6 |
| 5      | 12.00 | 7.70  | 12.00 | 19.14 | 5           | 2-1445055-5 |
| 5      | 9.00  | 4.70  | 9.00  | 16.14 | 4           | 2-1445055-4 |
| 5      | -     | -     | 6.00  | 13.14 | 3           | 2-1445055-3 |
| 5      | -     | -     | 3.00  | 10.14 | 2           | 2-1445055-2 |
| 2      | 33.00 | 28.70 | 33.00 | 40.14 | 12          | 1-1445055-2 |
| 2      | 30.00 | 25.70 | 30.00 | 37.14 | 11          | 1-1445055-1 |
| 2      | 27.00 | 22.70 | 27.00 | 34.14 | 10          | 1-1445055-0 |
| 2      | 24.00 | 19.70 | 24.00 | 31.14 | 9           | 1445055-9   |
| 2      | 21.00 | 16.70 | 21.00 | 28.14 | 8           | 1445055-8   |
| 2      | 18.00 | 13.70 | 18.00 | 25.14 | 7           | 1445055-7   |
| 2      | 15.00 | 10.70 | 15.00 | 22.14 | 6           | 1445055-6   |
| 2      | 12.00 | 7.70  | 12.00 | 19.14 | 5           | 1445055-5   |
| 2      | 9.00  | 4.70  | 9.00  | 16.14 | 4           | 1445055-4   |
| 2      | -     | -     | 6.00  | 13.14 | 3           | 1445055-3   |
| 2      | -     | -     | 3.00  | 10.14 | 2           | 1445055-2   |
| FINISH | DIM Z | DIM V | DIM T | DIM W | NO. OF POSN | PART NUMBER |



THIS DRAWING IS A CONTROLLED DOCUMENT. DWN J.ROOT 06OCT2000  
 CHK K.WHITAKER 13-MAR-2001  
 APVD K.WHITAKER 13-MAR-2001

**STE** TE Connectivity

NAME: RIGHT ANGLE THRU HOLEHEADER ASSY, TIN CONTACTS W/PLASTIC HOLDDOWNS, SINGLE ROW, MICRO MATE-N-LOK™

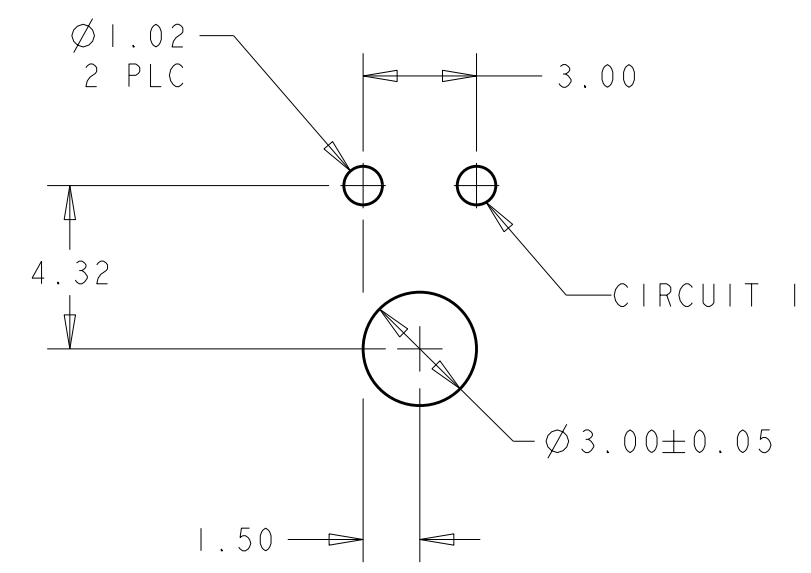
SIZE: A2 CAGE CODE: 00779 DRAWING NO: 1445055 RESTRICTED TO: -

MATERIAL: SEE TABLE WEIGHT: -

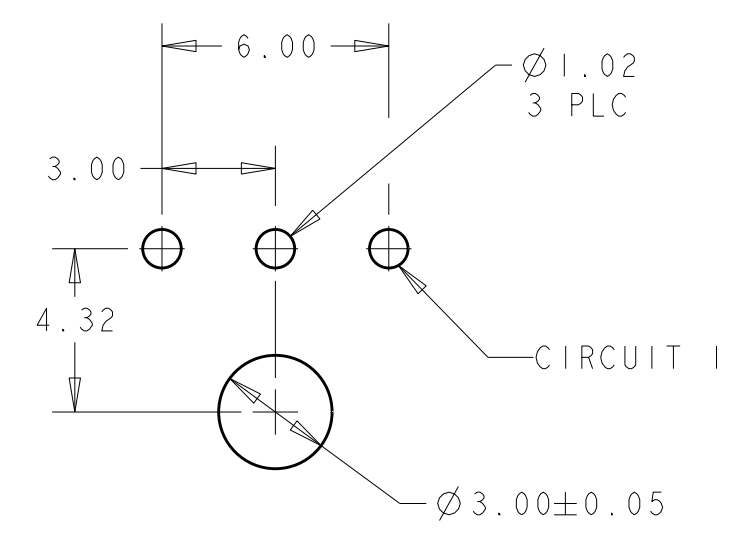
CUSTOMER DRAWING SCALE: 5:1 SHEET 1 OF 2 REV: AI

THIS DRAWING IS UNPUBLISHED. RELEASED FOR PUBLICATION 20  
 © COPYRIGHT 20 BY - ALL RIGHTS RESERVED.

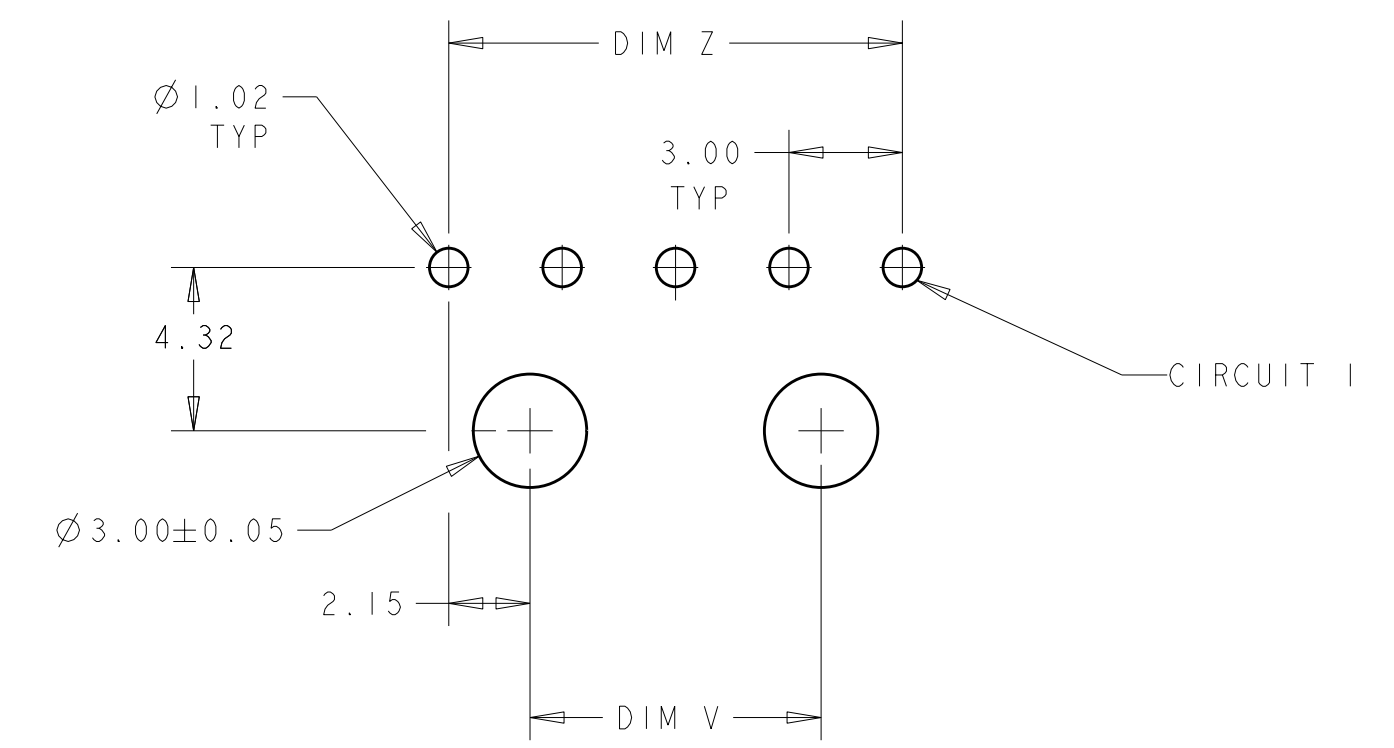
| LOC | DIST | REVISIONS   |             |     |      |  |
|-----|------|-------------|-------------|-----|------|--|
| P   | LTR  | DESCRIPTION | DATE        | DWN | APVD |  |
| CM  | 00   | -           | SEE SHEET 1 | -   | -    |  |
|     |      |             |             |     |      |  |
|     |      |             |             |     |      |  |



PCB LAYOUT FOR 2 POSITION COMPONENT SIDE



PCB LAYOUT FOR 3 POSITION COMPONENT SIDE



PCB LAYOUT FOR 4-12 POSITION COMPONENT SIDE



|   |  |                                   |   |                    |
|---|--|-----------------------------------|---|--------------------|
| THIS DRAWING IS A CONTROLLED DOCUMENT.  |  | DWN<br>J.ROOT<br>06OCT2000        | TE Connectivity   |                    |
| DIMENSIONS:<br>mm   |  | CHK<br>K.WHITAKER<br>13-MAR-2001  |   |                    |
| TOLERANCES UNLESS OTHERWISE SPECIFIED:  |  | APVD<br>K.WHITAKER<br>13-MAR-2001 | NAME<br>RIGHT ANGLE THRU HOLEHEADER ASSY,<br>TIN CONTACTS W/PLASTIC HOLDDOWNS,<br>SINGLE ROW, MICRO MATE-N-LOK™ |                    |
| 0 PLC ±-<br>1 PLC ±-<br>2 PLC ±0.13<br>3 PLC ±-<br>4 PLC ±-<br>ANGLES ±-<br>FINISH ±- |  | PRODUCT SPEC<br>-                 | SIZE<br>A2  | CAGE CODE<br>00779 |
| MATERIAL<br>SEE TABLE   |  | APPLICATION SPEC<br>-             | DRAWING NO<br>1445055   | RESTRICTED TO<br>- |
|   |  | WEIGHT<br>-                       | SCALE<br>5:1  | SHEET<br>2 OF 2    |
|   |  | CUSTOMER DRAWING                  | REV<br>A1   |                    |