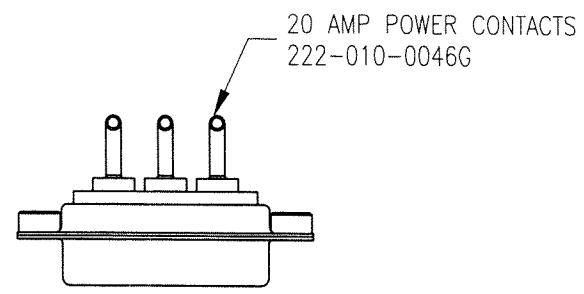
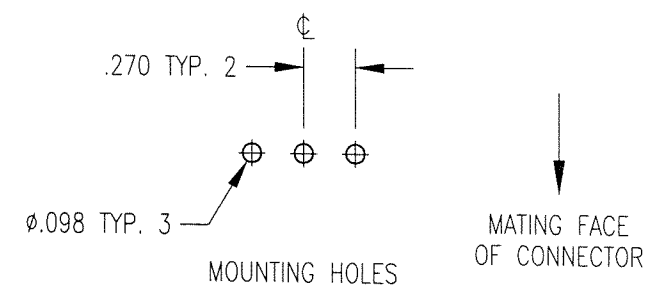
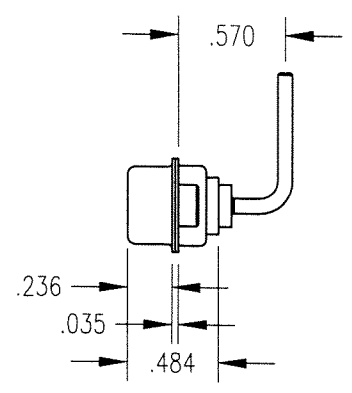
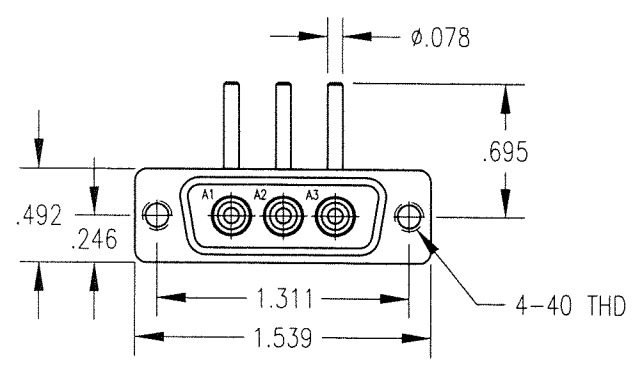


DWC NO.		RM3W3P-1016	
REV	DESCRIPTION	BY	APPD
C	EGR 6517	12/15/00	



- NOTES;
- MATERIALS:  
SHELL: STEEL PER ASTM A568  
INSULATOR: GLASS FILLED POLYESTER  
FOR CONTACT SPECIFICATIONS SEE CONTACT SALES DRAWING
  - FINISH:  
ALL METAL D-SUB PARTS: YELLOW CHROMATE OVER ZINC PER ASTM B633  
INSULATOR: GREEN  
FOR CONTACT SPECIFICATIONS SEE CONTACT SALES DRAWING
  - POWERWAVE PART NUMBER: 922-00189-003



PER ASME Y14.5M-1994 UNLESS OTHERWISE SPECIFIED: DIMENSIONS ARE IN INCHES [MM] TOLERANCES: DECIMALS .xx ± .01/0.254 xxx ± .005/0.127 ANGLES ± 2°		SCALE: 1:1		<b>Litton</b> <b>Winchester/Retconn</b> 400 Park Road Watertown, Connecticut 06795	
<b>CUSTOMER DRAWING</b>				TITLE 3W3P CONNECTOR WITH POWER CONTACTS	
DRAWN KJT	DATE 12/21/98	CHECKED JED	DATE 12/21/98	A	RM3W3P-1016
APPROVED JMC	DATE 12/21/98	APPROVED JMC	DATE 12/21/98		
				SHT. OF	REV.
				1 1	C