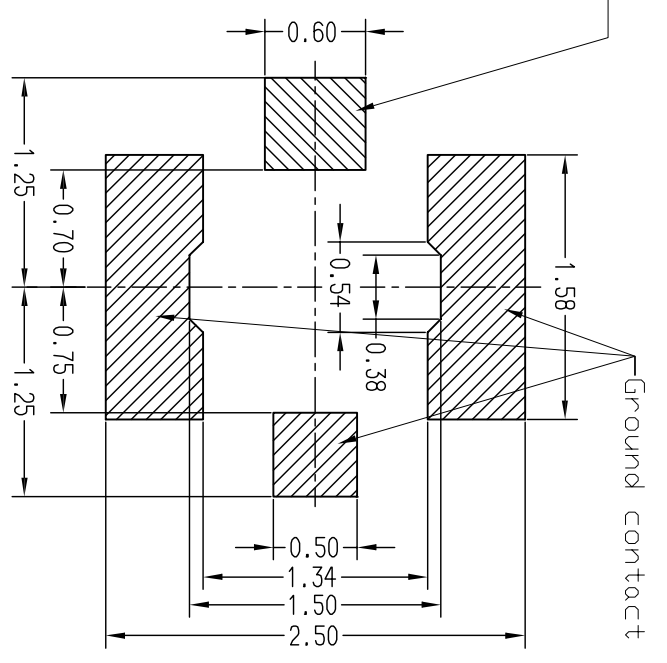
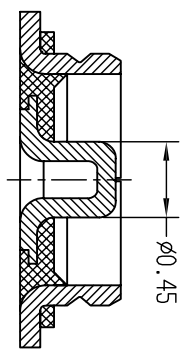
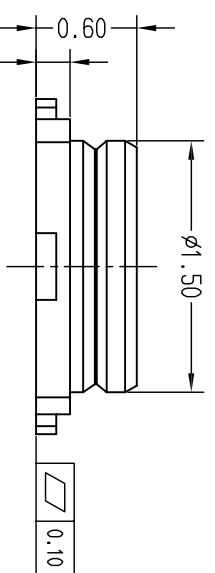
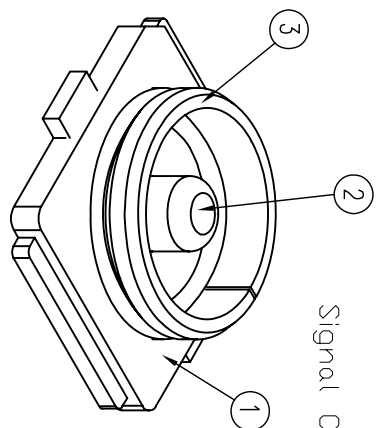
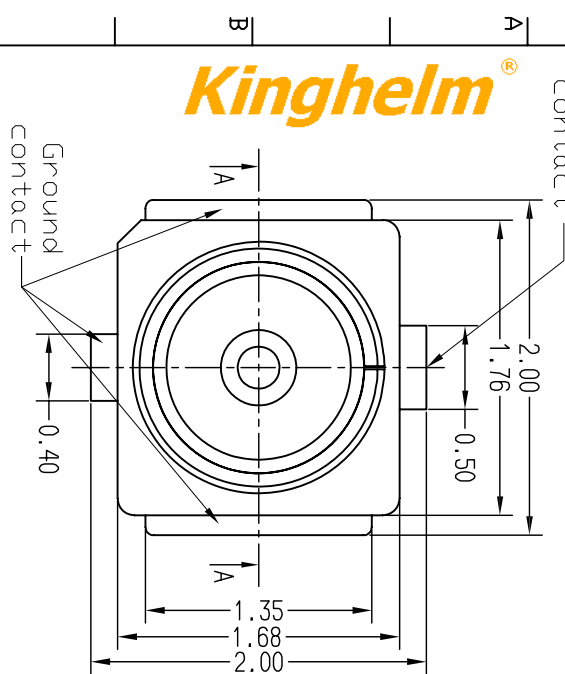


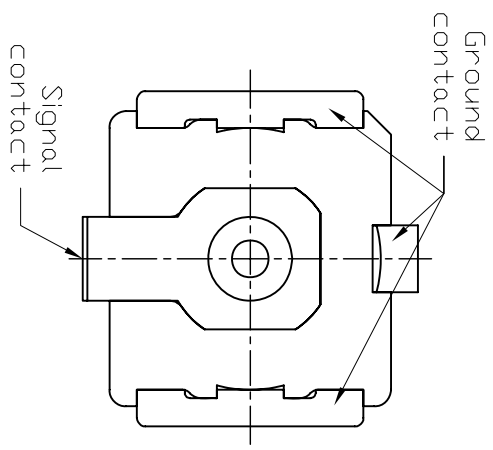
型号: KH-IPEX4-2020

REV	ECN NDL	APPD
A	ECN1211001	MAX

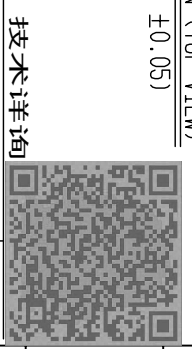
**Kinghelm**®



- NOTES:
- FREQUENCY RANGE:  
DC TO 6GHZ (VSWR: 1.3MAX AT 0.1~3GHZ, 1.4MAX AT 3~6GHZ)
  - CHARACTERISTIC IMPEDANCE: 50Ω (NOMINAL);
  - TEMPERATURE: -40° C TO +90° C;
  - RATED VOLTAGE : 60VAC;
  - CONTACT RESISTANCE :  
20mΩ MAX.(SIGNAL CONTACT)  
20mΩ MAX.(GROUND CONTACT)
  - WITHSTAND VOLTAGE : 200VAC F0, 1 MINUTE MIN.;
  - INSULATION RESISTANCE : 500MΩ MIN. AT 100VDC;
  - THIS COMPONENT IS HALOGEN FREE.



3	SHELL	1	COPPER ALLOY	Ni: 50u"-100u" / Gold Flash.	
2	CONTACT	1	COPPER ALLOY	Ni: 50u"-100u" / Gold Flash.	
1	HOUSING	1	LCP(BLACK)	UL94V-0	
ITEM	DESCRIPTION	Q'TY	MATERIAL	FINISH	REMARK



P.C.B DIMENSION (TOP VIEW)  
(TOLERANCE ±0.05)

深圳市金航标电子有限公司

DWG NO.: 113-0000-007

.X± 0.25	.X± 5'	APPD: Max 11/2'12	PART(规格)	UNITS	SCALE	SHEET	REV.
.XX± 0.25	.XX± 3'	CHKD: Max 11/2'12		mm	1:1	1/1	A
.XXX±	.XXX± 1'	DR: Andy 11/2'12					