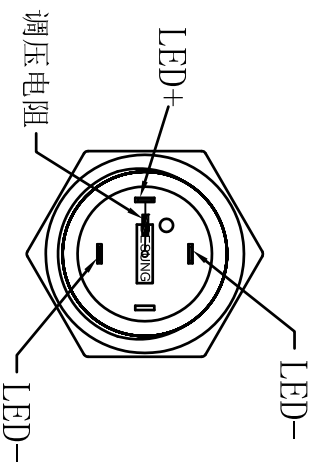
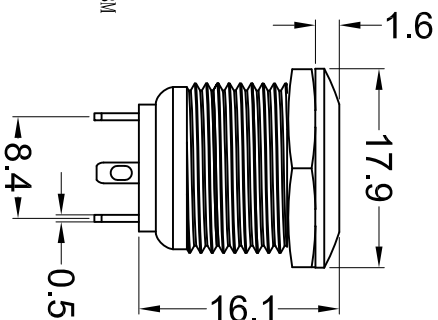
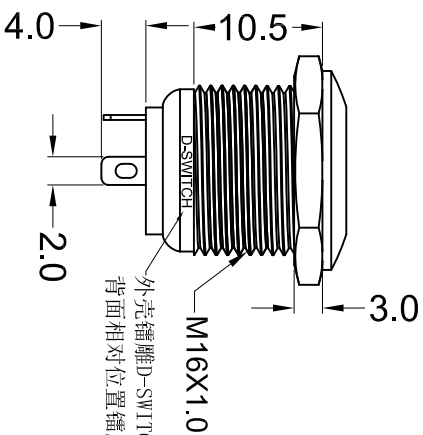


- 备注:
1. 外壳镗雕A3;
  2. 拧螺母, 配垫圈。



Nut Torque:5~14Nm

Protection Grade:IP65,IK08

Shell:Brass,Ni Plating

Base:PBT+15%GF

Lamp Type:LED

Forward current:20mA Max




Lamp Life:50000H

Beads Color:Red And Green

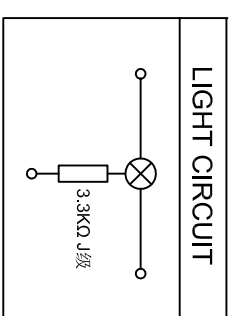
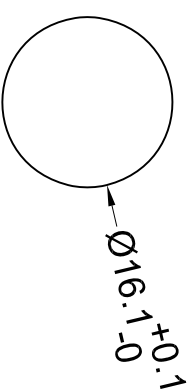
Lamp voltage:24V DC

Operating Temperature:-20°C~80°C

Relative Air Humidity:45%~85%

Safety Approval:   

CUT-OUT



**D-SWITCH**  
东莞市德祿电子有限公司  
D-SWITCH ELECTRONICS CO.,LTD

公差 TOLERANCES .X±0.5 .XX±0.3 角度 ANGLE ±1° 单位 DIMENSION UNIT mm.

版本 VER	变更说明 CHANGE DESCRIPTION	日期 DATE	ECON NO.	核准 APPROVED BY	核对 CHECKED BY	绘图 DRAWN BY	品名 TITLE	图号 DRAWING NO
							PBM-16113-F-S-RG2-R24-B85-A3-0004	1030458