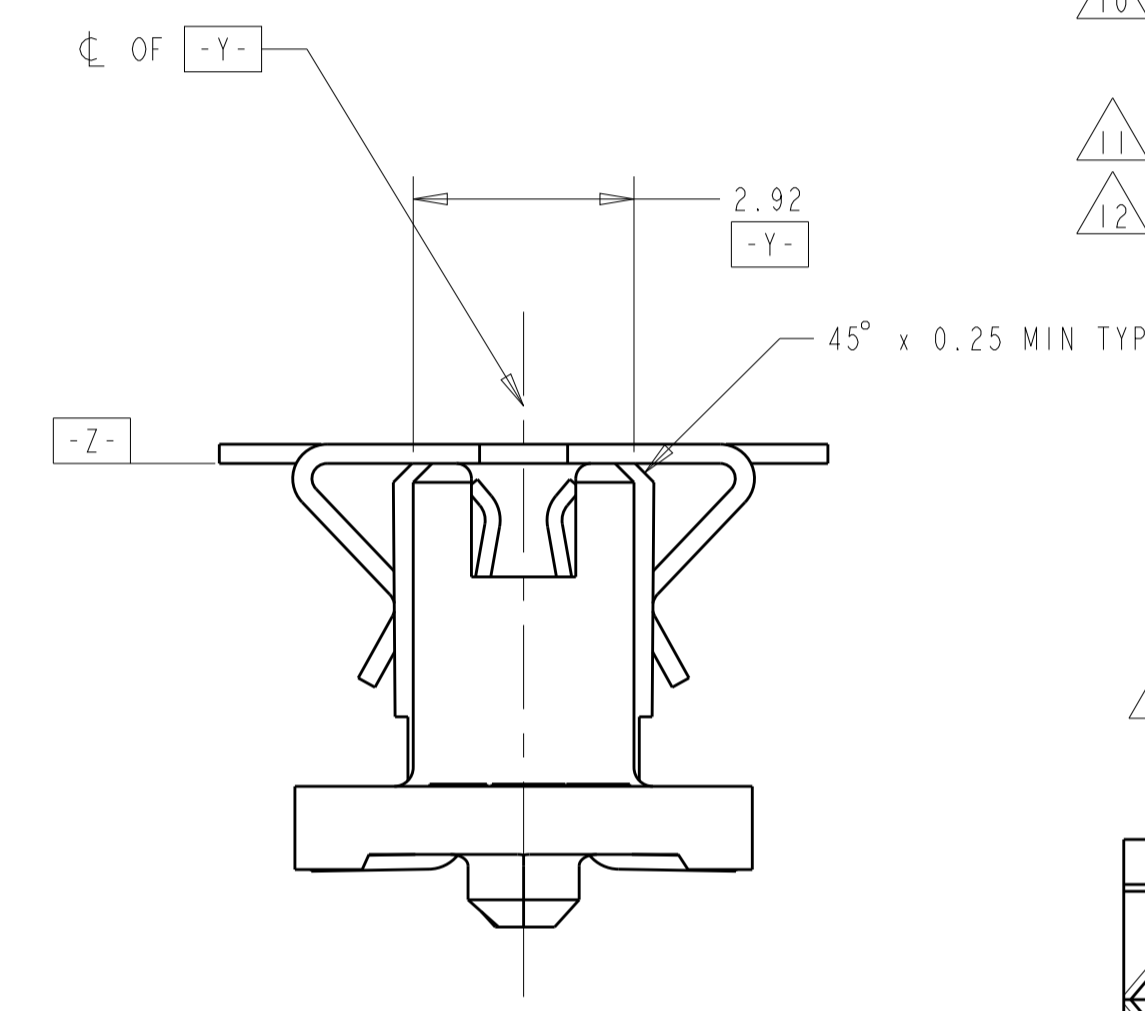
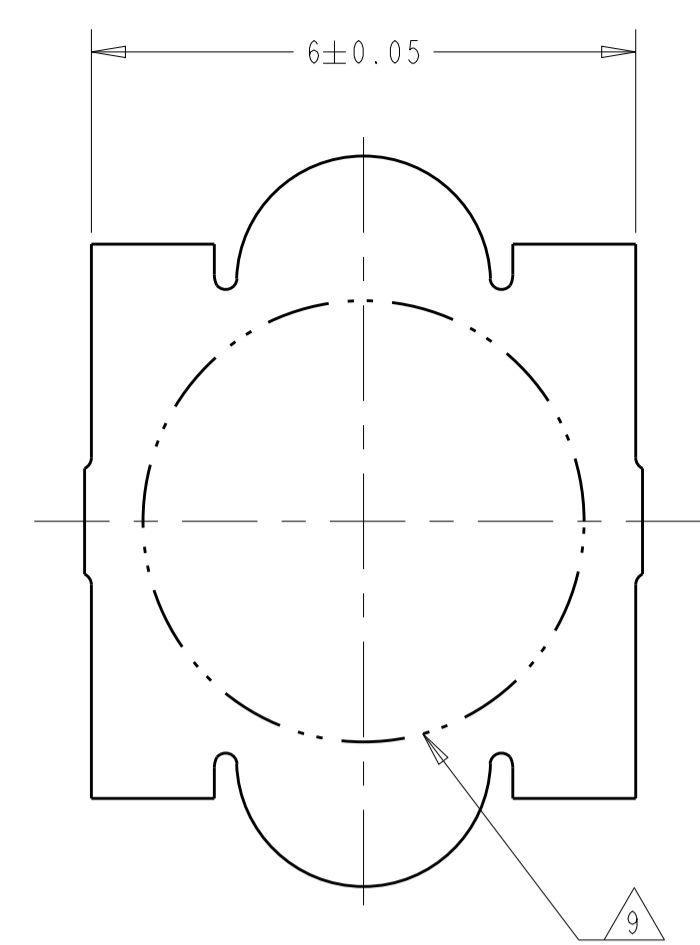
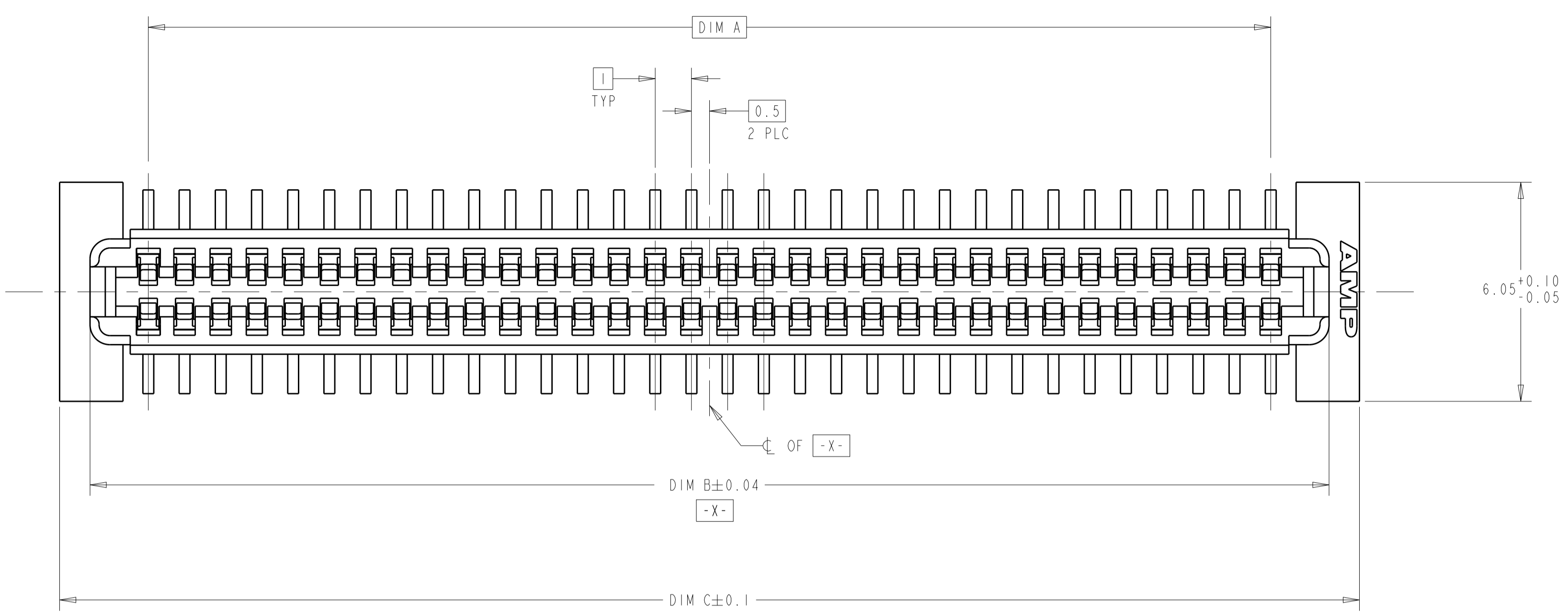
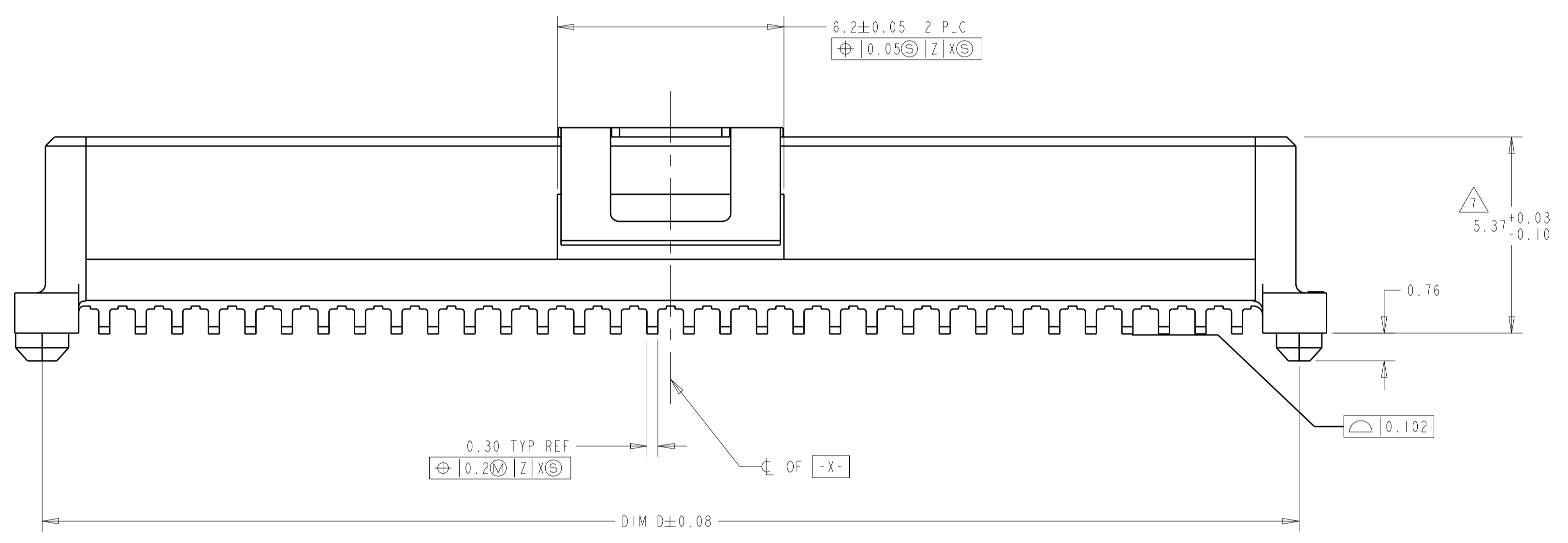


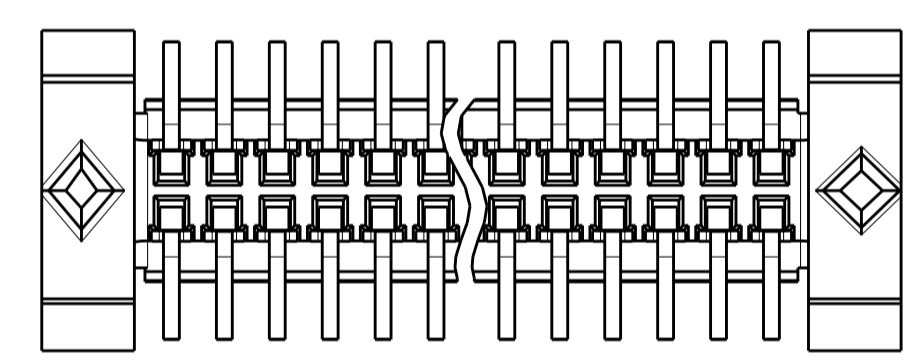
REVISIONS				
P.	LTN	DESCRIPTION	DATE	APVD
M		REVISED PER ECR-14-016951	11FEB2015	J.T. W.H



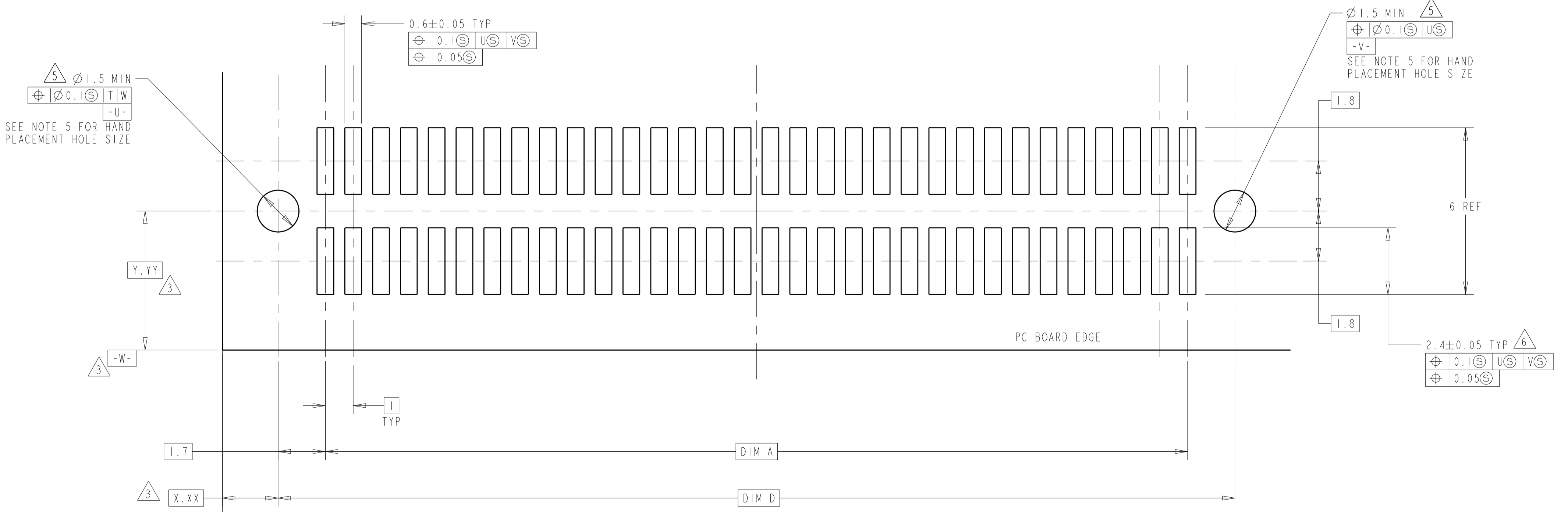
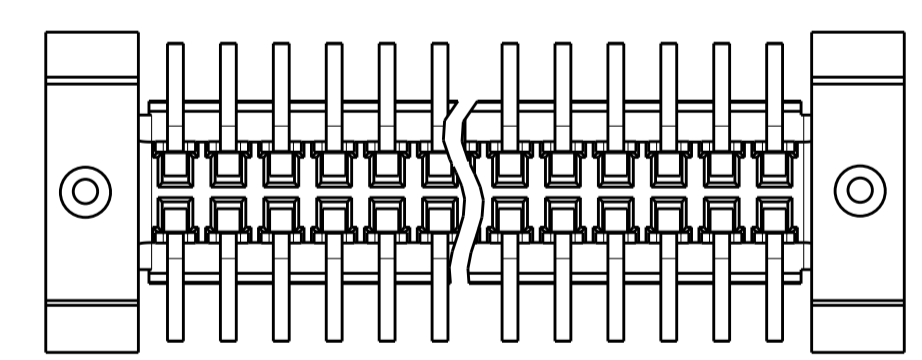
- HOUSING MATERIAL: HIGH TEMPERATURE THERMOPLASTIC, COLOR: BLACK. CONTACT MATERIAL: PHOSPHOR BRONZE.
- CONTACT FINISH: NICKEL UNDERPLATE ALL OVER, MATING SURFACES PLATED TO MEET PL1 PERFORMANCE REQUIREMENTS OF INDUSTRY SPECIFICATION EIA-700AAAB, SOLDER TAILS PLATED TIN-LEAD.
- DATUM LOCATIONS AND BASIC DIMENSIONS TO BE ESTABLISHED BY THE CUSTOMER. CONSULT AMP ENGINEERING WHEN PLACING MULTIPLE CONNECTORS ON A PC BOARD.
- PACKAGED IN TAPE ON REEL PER EIA-481.
- 1.4 ± 0.05 DIAMETER HOLE WHEN PLACING BY HAND.
- SHORTER SOLDER LANDS MAY BE USED PER EIA 700AAAB, HOWEVER 2.4 LENGTH ASSURES OPTIMUM SOLDER FILLET REGARDLESS OF MANUFACTURER OF CONNECTOR.
- REFERRED TO AS DIM H = 5.30 ± 0.1 IN EIA 700AAAB SPECIFICATION.
- VACUUM COVER NOT SHOWN IN SOME VIEWS FOR CLARITY.
- 5.5 MIN DIAMETER TARGET AREA FOR VACUUM PICK-UP.
- CONTACT FINISH: 0.002 MINIMUM BRIGHT TIN-LEAD (93-7) ON SOLDER AREA. 0.00127 MINIMUM GOLD ON MATING AREA. BOTH OVER 0.00127 MINIMUM NICKEL ON ENTIRE CONTACT.
- SQUARE AND DIAMOND SHAPED POSTS.
- ROUND SHAPED POSTS.



STYLE A POSTS



STYLE B POSTS



POST STYLE	FINISH	DIM D	DIM C	DIM B	DIM A	STACK HEIGHTS	POS	AMP PART NUMBER
12	10	44.4	45.9	44.22	41	8, 9, 10	84	3-146893-2
12	10	34.4	35.9	34.22	31	8, 9, 10	64	3-146893-1
12	10	44.4	45.9	44.22	41	8, 9, 10	84	2-146893-2
12	10	34.4	35.9	34.22	31	8, 9, 10	64	2-146893-1
11	10	44.4	45.9	44.22	41	8, 9, 10	84	1-146893-2
11	10	34.4	35.9	34.22	31	8, 9, 10	64	1-146893-1
11	10	44.4	45.9	44.22	41	8, 9, 10	84	146893-2
11	10	34.4	35.9	34.22	31	8, 9, 10	64	146893-1

THIS DRAWING IS A CONTROLLED DOCUMENT. DWG: D.K. SCHRUM 31JUL98. CHK: CHAD BAKER 31JUL98. NAME: RECEPTACLE ASSY, W/ VACUUM COVER, 1.0mm FH (IEEE 1386) CONNECTOR. PRODUCT SPEC: 502-1079. APPLICATION SPEC: 114-25045. WEIGHT: -. SIZE: A1. CAGE CODE: 00779. DRAWING NO: 146893. SCALE: 10:1. SHEET: 1 OF 1. REV: M.