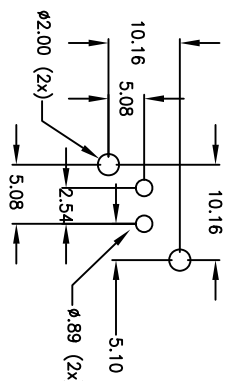
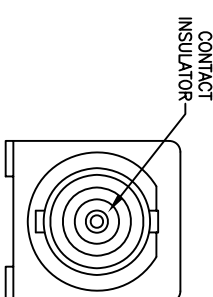
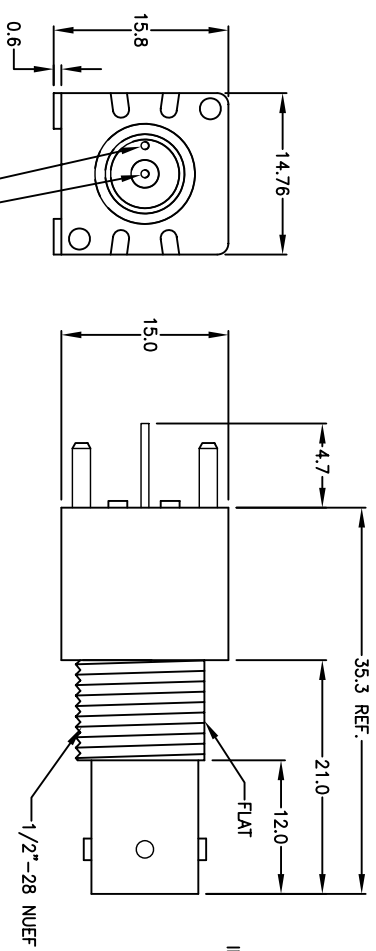


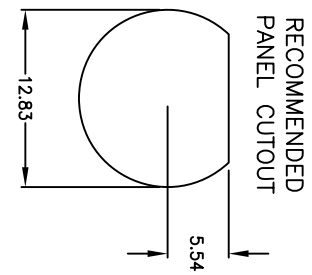
Rev	AWO #	Description	Date	Appr
-		RELEASED	2/7/06	

APPROVED: \_\_\_\_\_  
 DATE: \_\_\_\_\_ TITLE: \_\_\_\_\_



RECOMMENDED  
 PC Board Layout  
 Right Angle Mount

**SPECIFICATIONS**  
 Material:  
 Housing: PBT, Color Black  
 Contact insulation: Polypropylene, color black.  
 Contacts: Phosphor Bronze, Tin plated.  
 Body: Zinc Alloy, Nickel plated  
 Electrical  
 Nominal Impedance: 50 Ohms  
 Frequency Range: 0 – 4 GHz  
 Maximum Peak Voltage: 500V  
 Insulation Resistance: 5000 Mohms min @ 500 VDC  
 Dielectric Withstanding Voltage: 1500 VAC rms.  
 Environmental:  
 Lead free, RoHS compliant.



**ADAM TECH**  
 909 Railway Avenue, Union, NJ 07083  
 Phone: 908-687-5000 Fax: 908-687-5710

TITLE  
 BNC, VERTICAL, 50 OHM



UNLESS OTHERWISE SPECIFIED ALL DIMENSIONS ARE MM [INCHES] TOLERANCES: EXCEPT AS NOTED	
INCHES	HOLDS
.X ± .10	ØX ± .10
.XX ± .020	ØXXX ± .015
.XXX ± .015	ØXXXX ± .010
APPROVALS	DATE
DRAWN BAS	2/7/06
CHECKED	
APPROVED	

SIZE X	PART NO. RF1-01V-P-00-50	REV. -
REF:	SCALE: NTS	SHEET 1 OF 1