



P-tec Corporation
 2405 Commerce Circle
 Alamosa, CO 81101
 www.p-tec.net

LED INJECTION MODULES



Important Design Information and Features

- *Modules adopt ABS material as their shell
- *Epoxy resin around the lights = effective insulation
- *Excellent and comprehensive electrical performance
- *Superb impact, wear, chemical resistance, and moisture resistance
- *Operating Range: -20~40C
- *ETL Approved
- *Patented Design

Applications

- *Signage
- *Indoor Decoration
- *Display Lighting

Part Number	PLSO-LM3528-12-3x	PLSO-LM3535-12-4x	PLSO-LM5050-12-3x	PLSO-LM5050-12-4x
LED Quantity	3 pcs SMD3528	4 pcs SMD3535	3 pcs SMD5050	4 pcs SMD5050
Input Voltage	12V DC			
Input Current	0.0223 A	0.1197 A	0.0453 A	0.0888 A
Input Power	0.268W	1.436W	0.544W	1.065W
Power Factor	>0.9			
Power Efficiency	>90%			
Projection Distance	±1m			
Lumens	20.16	58.67	42.948	53.8
Lighting Efficiency	>80%			

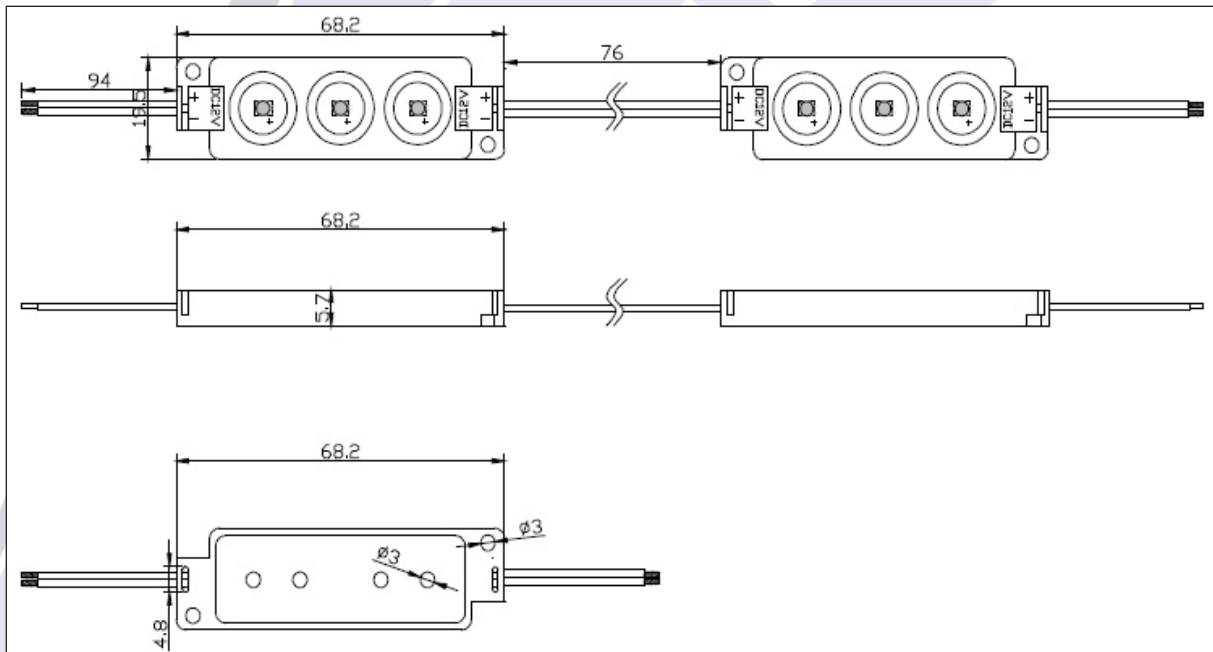


P-tec Corporation
 2405 Commerce Circle
 Alamosa, CO 81101
www.p-tec.net

LED INJECTION MODULES

Part Number	PLSO-LM3528-12-3x	PLSO-LM3535-12-4x	PLSO-LM5050-12-3x	PLSO-LM5050-12-4x
Working Temperature	-20~40C			
Storage Temperature	-25~60C			
Life Span	>30,000Hrs			
Material	ABS & Epoxy Resin			
Dimensions	68.2*19.5*5.7MM	54.8*33.2*5.9MM	68.2*19.5*5.7MM	54.8*33.2*5.9MM
Net Weight	8g	8g	12g	12g
IP Rank	IP65			
Lumens	20.16	42.948	58.67	53.8
Lighting Efficiency	>80%			

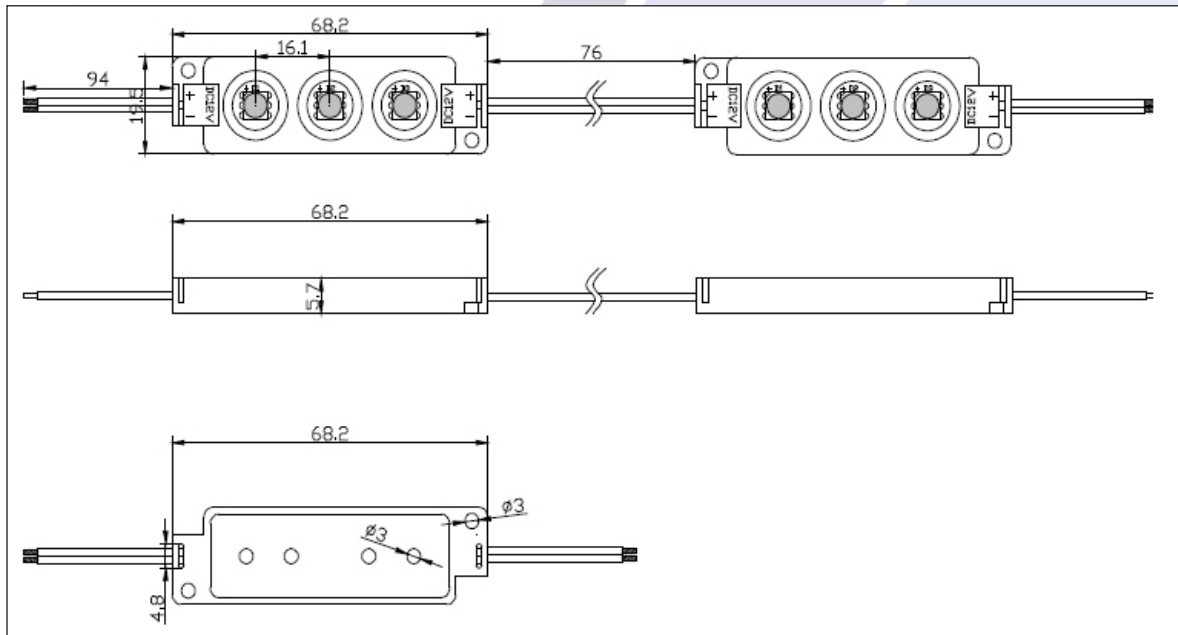
PLSO-LM3528-12-3x



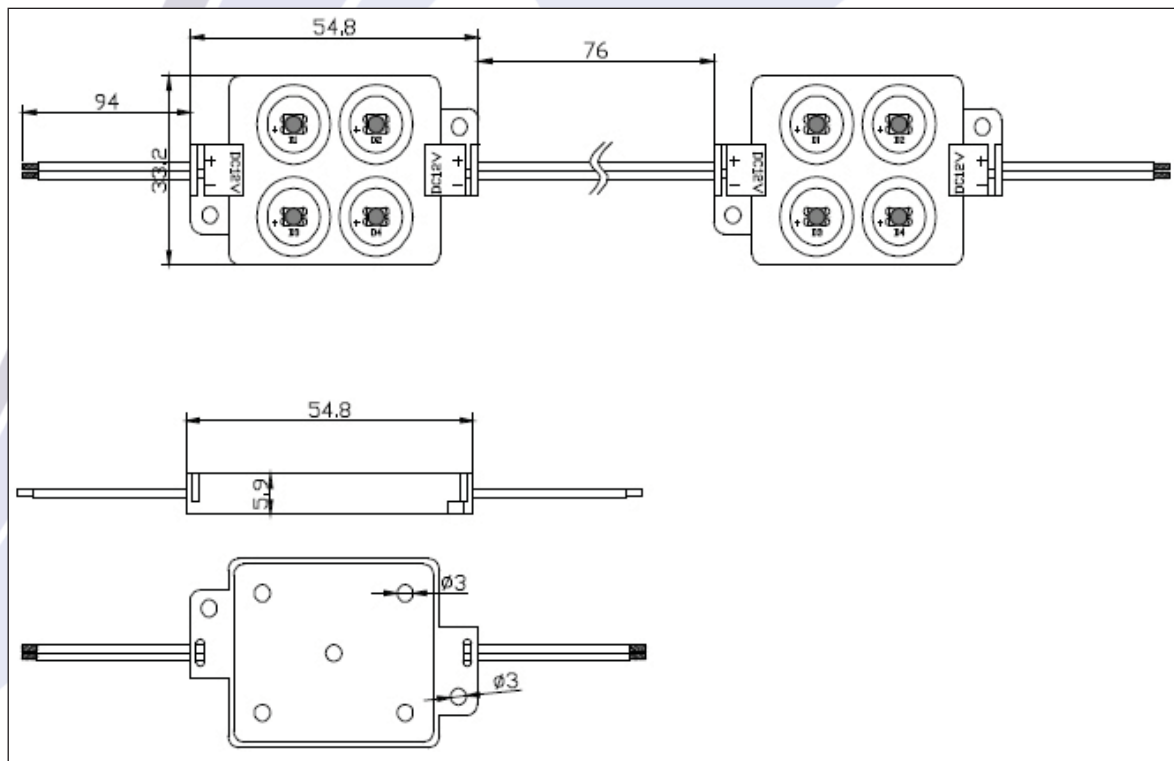


P-tec Corporation
2405 Commerce Circle
Alamosa, CO 81101
www.p-tec.net

PLSO-LM5050-12-3x




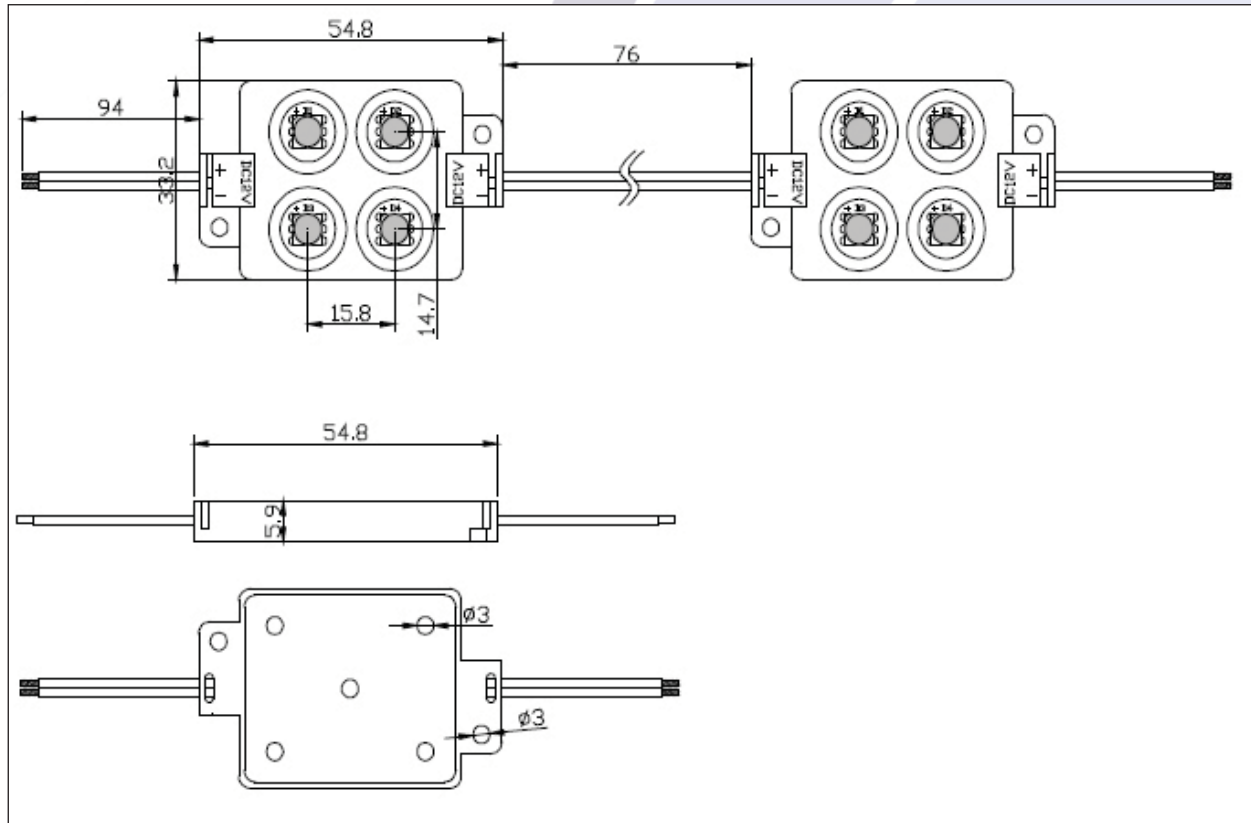
PLSO-LM3535-12-4x






P-tec Corporation
2405 Commerce Circle
Alamosa, CO 81101
www.p-tec.net

PLSO-LM5050-12-4x



Indoor and outdoor lighting



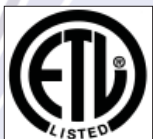
WARNING

Please do not connect power supply when the light is still in box.

Please do not connect high voltage before the installation, and make sure that the fixture is grounded

Change the protection cover completely if it was broken.

Pay attention to anti-fire, anti-electricity and anti-shake.



IP65