

PLEASE CHECK WWW.MOLEX.COM FOR LATEST PART INFORMATION

Part Number: [0460071105](#)
Status: **Active**
Description: 7.50mm (.295") Pitch Sabre™ Header, Single Row, Right Angle, 5 Circuits, PC Tail Length 5.33mm (.210"), without Snap-In Metal Pins, with Tin (Sn) Plating

Documents:

| | |
|---|--|
| 3D Model | Product Specification PSX-44441-9999 (PDF) |
| Packaging Specification (PDF) | RoHS Certificate of Compliance (PDF) |
| Drawing (PDF) | |

Agency Certification

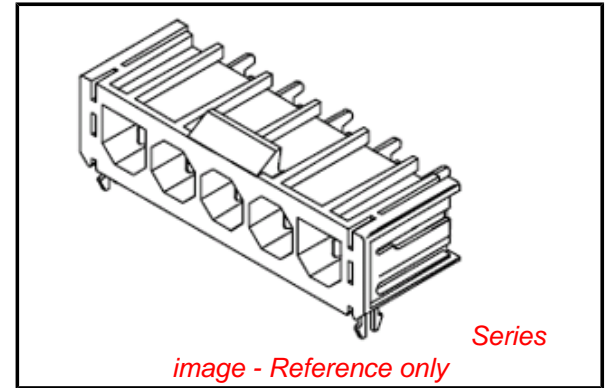
UL E29179

General

| | |
|-----------------------------|--|
| Product Family | PCB Headers |
| Series | 46007 |
| Application | Wire-to-Board |
| Comments | Fully Polarized, Meets UL 1950 Finger Proof Standard |
| Product Literature Order No | USA-113 |
| Product Name | Sabre™ |

Physical

| | |
|--------------------------------|--------------------------------|
| Breakaway | No |
| Circuits (Loaded) | 5 |
| Circuits (maximum) | 5 |
| Color - Resin | Black |
| Durability (mating cycles max) | 25 |
| First Mate / Last Break | No |
| Flammability | 94V-0 |
| Glow-Wire Compliant | No |
| Guide to Mating Part | No |
| Keying to Mating Part | None |
| Lock to Mating Part | Yes |
| Material - Metal | Brass |
| Material - Plating Mating | Tin |
| Material - Plating Termination | Tin |
| Material - Resin | High Temperature Thermoplastic |
| Number of Rows | 1 |
| Orientation | Right Angle |
| PC Tail Length (in) | 0.150 In |
| PC Tail Length (mm) | 3.81 mm |
| PCB Locator | No |
| PCB Retention | Yes |
| PCB Thickness Recommended (in) | 0.062 In |
| PCB Thickness Recommended (mm) | 1.60 mm |
| Packaging Type | Tray |
| Pitch - Mating Interface (in) | 0.295 In |
| Pitch - Mating Interface (mm) | 7.50 mm |
| Plating min: Mating (µin) | 35 |
| Plating min: Mating (µm) | 0.88 |
| Plating min: Termination (µin) | 35 |
| Plating min: Termination (µm) | 0.88 |
| Polarized to Mating Part | Yes |
| Polarized to PCB | Yes |
| Shrouded | Fully |
| Stackable | No |



EU RoHS

ELV and RoHS Compliant
REACH SVHC
 Not Reviewed
Halogen-Free Status
 Not Reviewed

China RoHS



Need more information on product environmental compliance?

Email productcompliance@molex.com
 For a multiple part number RoHS Certificate of Compliance, [click here](#)

Please visit the [Contact Us](#) section for any non-product compliance questions.

Search Parts in this Series

[46007Series](#)

Mates With

[44441-2005](#)

| | |
|--------------------------------|----------------|
| Surface Mount Compatible (SMC) | No |
| Temperature Range - Operating | -40°C to +75°C |
| Termination Interface: Style | Through Hole |

Electrical

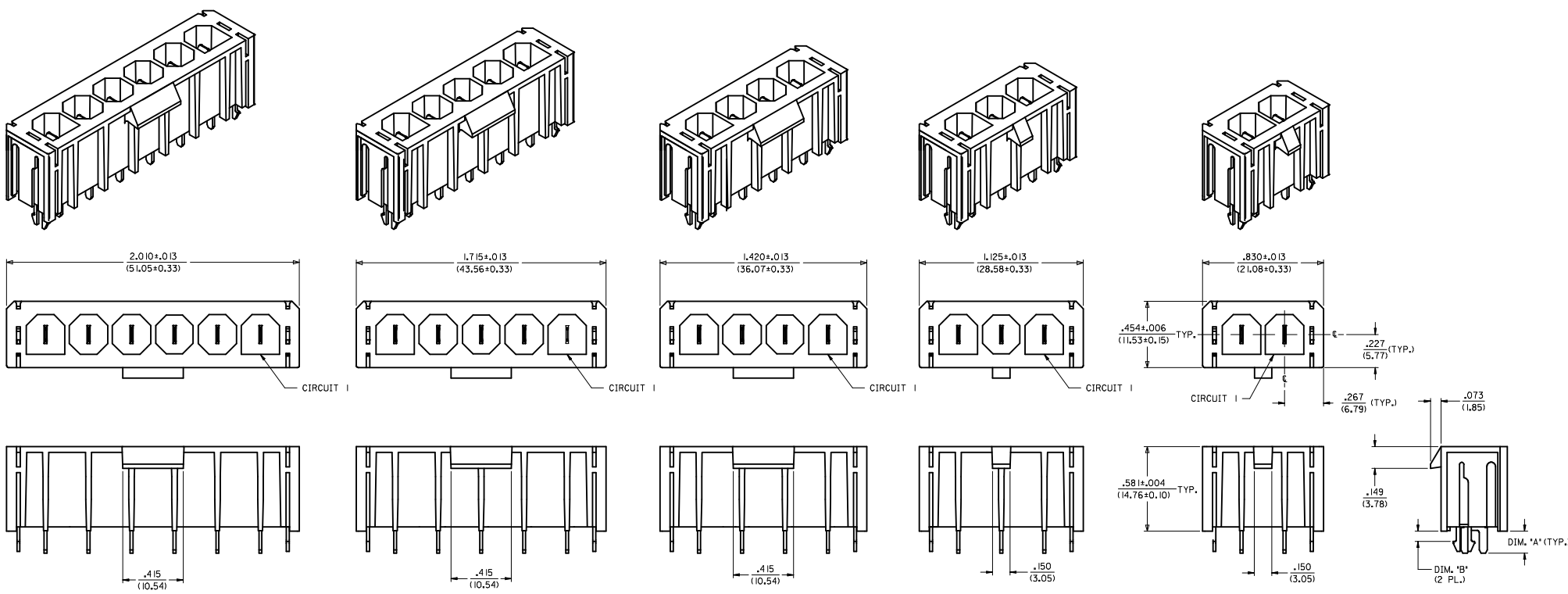
| | |
|-------------------------------|------|
| Current - Maximum per Contact | 18A |
| Voltage - Maximum | 600V |

Material Info**Reference - Drawing Numbers**

| | |
|-----------------------|----------------|
| Product Specification | PSX-44441-9999 |
| Sales Drawing | SD-46007-001 |

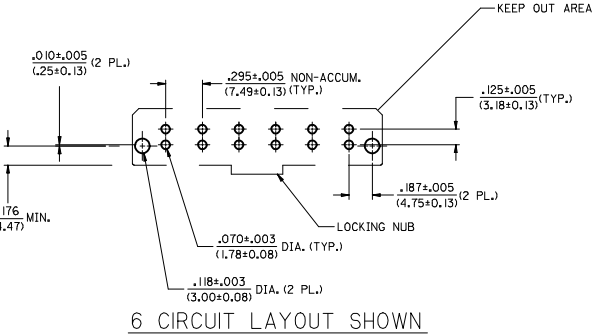
This document was generated on 04/21/2010

PLEASE CHECK WWW.MOLEX.COM FOR LATEST PART INFORMATION



SEE SHEET 2 AND 3 FOR ITEM NUMBER CHART

RECOMMENDED P.C. BOARD LAYOUT FOR VERTICAL HEADERS
SCALE 2:1



NOTES:

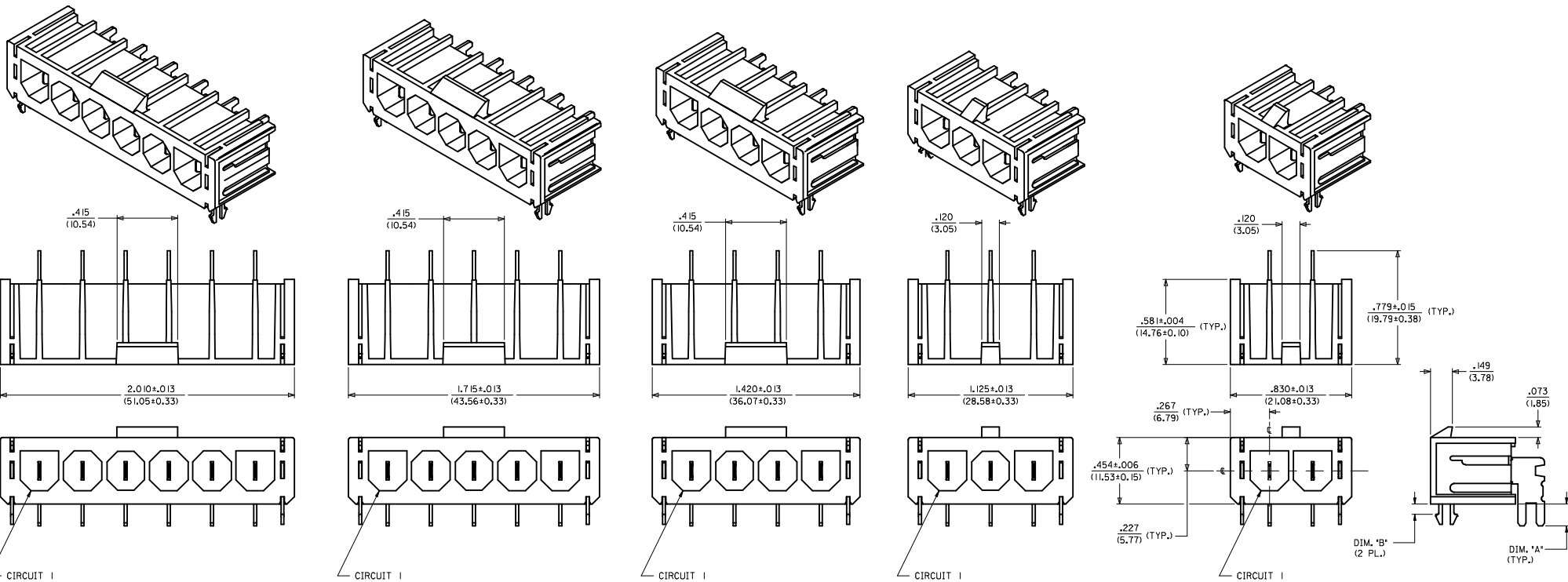
- INSULATOR MATERIAL (SEE CHART):
A = 30% GLASS FILLED 46 NYLON, 94V-0, COLOR: BLACK.
TERMINAL MATERIAL: C26000 BRASS
- TERMINAL FINISH: 35 MICROINCH (0.88 MICROMETER) MINIMUM TIN OVER 20 MICROINCH (0.50 MICROMETER) MINIMUM COPPER.
* THE PRIMARY SHIPPING CARTON WILL BE LABELED "COMPLIANT TO RoHS DIRECTIVE 2002/95/EC AND ELV ANNEX II OF DIRECTIVE 2000/53/EC." CARTONS WITHOUT THIS LABEL MAY CONTAIN PRODUCT WITH TIN-LEAD IN THE PC TAILS.
- PRODUCT SPECIFICATION: PSX-44441-9999.
- PACKAGING: SEE CHART.
- THESE HEADERS MATE WITH 43179, 43335, OR 44441 RECEPTACLE HOUSINGS.
- UL 1950 COMPLIANT 46007 SERIES HEADERS ARE SIMILAR TO STANDARD LINE 43160 SERIES HEADERS EXCEPT HAVING TERMINALS WHICH ARE RECESSED MORE TO ALLOW HEADERS TO MEET UL 1950 PROBE REQUIREMENTS.
- SEE SHEETS 1, 2 AND 3 FOR VERTICAL HEADER ASSEMBLY AND THEIR RESPECTIVE PART NUMBERS.
- SEE SHEETS 4, 5 AND 6, FOR RIGHT ANGLE HEADER ASSEMBLIES AND THEIR RESPECTIVE PART NUMBERS.
- TERMINALS ARE ON .295/(7.49) CENTERLINE SPACING.
- DIMENSIONS ARE FOR REFERENCE ONLY, UNLESS INDICATED OTHERWISE.

| SOLDER TAIL | DIM. "A" ±.020/(0.51) |
|-------------|-----------------------|
| SHORT | .150/(3.81) |
| LONG | .210/(5.33) |

| BOARD LOCK | DIM. "B" ±.004/(0.15) |
|------------|-----------------------|
| .062 | .070/(1.78) |
| .094 | .102/(2.59) |
| .125 | .133/(3.38) |

| | |
|------|------|
| 6 | C |
| 5 | C |
| 4 | C |
| 3 | C |
| 2 | C |
| 1 | C |
| SHT. | REV. |

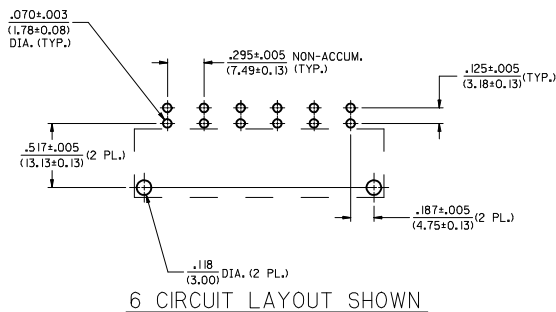
| REMOVE 94V-2 MATL EC NO: UCP2009-0067 DRAWN: KOSTER/2009/03/05 CHKD: AEL/HAG 2009/03/05 APPR: FSW/TH 2009/03/05 | QUALITY SYMBOLS ▽=0 ▽=0 | GENERAL TOLERANCES (UNLESS SPECIFIED) <table border="1"> <thead> <tr> <th></th> <th>mm</th> <th>INCH</th> </tr> </thead> <tbody> <tr> <td>4 PLACES</td> <td>±.005</td> <td>±.005</td> </tr> <tr> <td>3 PLACES</td> <td>±.01</td> <td>±.01</td> </tr> <tr> <td>2 PLACES</td> <td>±.013</td> <td>±.01</td> </tr> <tr> <td>1 PLACE</td> <td>±.025</td> <td>±.01</td> </tr> </tbody> </table> ANGULAR ±1/2° DRAFT WHERE APPLICABLE MUST REMAIN WITHIN DIMENSIONS | | mm | INCH | 4 PLACES | ±.005 | ±.005 | 3 PLACES | ±.01 | ±.01 | 2 PLACES | ±.013 | ±.01 | 1 PLACE | ±.025 | ±.01 | DIMENSION STYLE IN/MM SCALE 3:1 DESIGN UNITS INCH THIRD ANGLE PROJECTION | DRAWN BY C STEWART DATE 04/28/05 CHECKED BY DATE APPROVED BY DATE | TITLE SABRE HEADER ASSY VERTICAL, 2-6 & 8 CIR. UL 1950 COMPLIANT |
|--|-------------------------------|--|--------------------|---|------|----------|-------|-------|----------|------|------|----------|-------|------|---------|-------|------|--|--|---|
| | | mm | INCH | | | | | | | | | | | | | | | | | |
| | 4 PLACES | ±.005 | ±.005 | | | | | | | | | | | | | | | | | |
| | 3 PLACES | ±.01 | ±.01 | | | | | | | | | | | | | | | | | |
| 2 PLACES | ±.013 | ±.01 | | | | | | | | | | | | | | | | | | |
| 1 PLACE | ±.025 | ±.01 | | | | | | | | | | | | | | | | | | |
| MATERIAL NO. SEE CHART SIZE D | DOCUMENT NO. SD-46007-001 | SHEET NO. 1 OF 6 | MOLEX INCORPORATED | THIS DRAWING CONTAINS INFORMATION THAT IS PROPRIETARY TO MOLEX INCORPORATED AND SHOULD NOT BE USED WITHOUT WRITTEN PERMISSION | | | | | | | | | | | | | | | | |



SEE SHEET 5 AND 6 FOR ITEM NUMBER CHART

RECOMMENDED P.C. BOARD LAYOUT FOR RIGHT ANGLE HEADERS

SCALE 2:1



6 CIRCUIT LAYOUT SHOWN

NOTES:

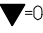
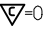

- INSULATOR MATERIAL (SEE CHART)
A = 30% GLASS-FILLED 46 NYLON-0, COLOR: BLACK
TERMINAL MATERIAL: C26000 BRASS
- TERMINAL FINISH: 35 MICROINCH (0.88 MICROMETER) MINIMUM TIN OVER
20 MICROINCH (0.50 MICROMETER) MINIMUM COPPER.
* THE PRIMARY SHIPPING CARTON WILL BE LABELED "COMPLIANT TO RoHS DIRECTIVE 2002/95/EC AND ELV ANNEX II OF DIRECTIVE 2000/53/EC." CARTONS WITHOUT THIS LABEL MAY CONTAIN PRODUCT WITH TIN-LEAD IN THE PC TAILS.
- PRODUCT SPECIFICATION: PSX-44441-9999.
- PACKAGING: SEE CHART.
- THESE HEADERS MATE WITH 43179, 43335, OR 44441 RECEPTACLE HOUSINGS.
- UL 1950 COMPLIANT 46007 SERIES HEADERS ARE SIMILAR TO STANDARD LINE 43160 SERIES HEADERS EXCEPT HAVING TERMINALS WHICH ARE RECESSED MORE TO ALLOW HEADERS TO MEET UL 1950 PROBE REQUIREMENTS.
- SEE SHEETS 1, 2 AND 3 FOR VERTICAL HEADER ASSEMBLIES AND THEIR RESPECTIVE PART NUMBERS.
- SEE SHEETS 4, 5 AND 6 FOR RIGHT ANGLE HEADER ASSEMBLIES AND THEIR RESPECTIVE PART NUMBERS.
- TERMINALS ARE ON .295/(7.49) CENTERLINE SPACING.
- DIMENSIONS ARE FOR REFERENCE ONLY, UNLESS INDICATED OTHERWISE.

| SOLDER TAIL | DIM. 'A' ±.01/(0.28) |
|-------------|----------------------|
| SHORT | .150/(3.81) |
| LONG | .210/(5.33) |

| BOARD LOCK | DIM. 'B' ±.004/(0.10) |
|------------|-----------------------|
| .062 | .070/(1.78) |
| .094 | .102/(2.59) |
| .125 | .133/(3.38) |

| | | | | | | | |
|--|---|--|---|---------------------------|------------------------------|--|--------------------|
| REMOVE 94V-2 MATL EC NO. UCP2009-0067 DRAWN BY: J.KOSTER 2009/03/05 CHYKDAELHAG 2009/03/05 APPROV: FSW/TH 2009/03/05 | QUALITY SYMBOLS | GENERAL TOLERANCES (UNLESS SPECIFIED) | DIMENSION STYLE | SCALE | DESIGN UNITS | THIRD ANGLE PROJECTION | |
| | ▽=0 ▽=0 | mm INCH 4 PLACES ± --- ± --- 3 PLACES ± --- ± .005 2 PLACES ± 0.13 ± .01 1 PLACE ± 0.25 ± --- ANGULAR ±1/2° | IN/MM 3:1 | INCH | INCH | THIRD ANGLE PROJECTION | |
| | DRAFT WHERE APPLICABLE MUST REMAIN WITHIN DIMENSIONS | DRAWN BY: C STEWART CHECKED BY: B WIRKUS APPROVED BY: B WIRKUS | DATE: 04/29/05 DATE: | MATERIAL NO. SEE CHART | DOCUMENT NO. SD-46007-001 | TITLE SABRE HEADER ASSY RT. ANGLE, 2-6 & 8 CIR. UL 1950 COMPLIANT | MOLEX INCORPORATED |
| | SIZE D | SHEET NO. 4 OF 6 | THIS DRAWING CONTAINS INFORMATION THAT IS PROPRIETARY TO MOLEX INCORPORATED AND SHOULD NOT BE USED WITHOUT WRITTEN PERMISSION | | | | |

| | 20 | 19 | 18 | 17 | 16 | 15 | 14 | 13 | 12 | 11 | 10 | 9 | 8 | 7 | 6 | 5 | 4 | 3 | 2 | 1 | | | |
|------------|------------------------------------|---|-------------------------|-------------|--------------|--------------------------|------------------------------------|---|-------------------------|-------------|--------------|--------------------------|------------------------------------|---|-------------------------|-------------|------------|--------------------------|---|---|--|--|--|
| M | RT. ANGLE HEADER ASSEMBLY ITEM NO. | PART CHARACTERISTICS FOR RIGHT ANGLE HEADER | | | | PACKAGING SPECIFICATIONS | RT. ANGLE HEADER ASSEMBLY ITEM NO. | PART CHARACTERISTICS FOR RIGHT ANGLE HEADER | | | | PACKAGING SPECIFICATIONS | RT. ANGLE HEADER ASSEMBLY ITEM NO. | PART CHARACTERISTICS FOR RIGHT ANGLE HEADER | | | | PACKAGING SPECIFICATIONS | | | | | |
| | | CIRCUIT SIZE | HSG. MAT'L (SEE NOTE 1) | SOLDER TAIL | BOARD LOCK | | | CIRCUIT SIZE | HSG. MAT'L (SEE NOTE 1) | SOLDER TAIL | BOARD LOCK | | | CIRCUIT SIZE | HSG. MAT'L (SEE NOTE 1) | SOLDER TAIL | BOARD LOCK | | | | | | |
| | 46007-1102 | 2 | A | SHORT | N/A | PK-43160-0010 | 46007-1104 | 4 | A | SHORT | N/A | PK-43160-0010 | 46007-1106 | 6 | A | SHORT | N/A | PK-43160-0010 | | | | | |
| | 46007-1302 | 2 | A | LONG | N/A | PK-43789-001 | 46007-1304 | 4 | A | LONG | N/A | PK-43789-001 | 46007-1306 | 6 | A | LONG | N/A | PK-43789-001 | | | | | |
| | 46007-3102 | 2 | A | SHORT | .062 | PK-43789-001 | 46007-3104 | 4 | A | SHORT | .062 | PK-43789-001 | 46007-3106 | 6 | A | SHORT | .062 | PK-43789-001 | | | | | |
| | 46007-5102 | 2 | A | SHORT | .094 | PK-43789-001 | 46007-5104 | 4 | A | LONG | .094 | PK-43789-001 | 46007-5106 | 6 | A | SHORT | .094 | PK-43789-001 | | | | | |
| | 46007-5302 | 2 | A | LONG | .094 | PK-43789-001 | 46007-5304 | 4 | A | LONG | .125 | PK-43789-001 | 46007-5306 | 6 | A | LONG | .094 | PK-43789-001 | | | | | |
| | 46007-7302 | 2 | A | LONG | .125 | PK-43789-001 | 46007-7304 | 5 | A | SHORT | N/A | PK-43160-0010 | 46007-7306 | 6 | A | LONG | .125 | PK-43789-001 | | | | | |
| | 46007-1103 | 3 | A | SHORT | N/A | PK-43160-0010 | 46007-1105 | 5 | A | LONG | N/A | PK-43789-001 | | | | | | | | | | | |
| | 46007-1303 | 3 | A | LONG | N/A | PK-43789-001 | 46007-1305 | 5 | A | SHORT | .062 | PK-43789-001 | | | | | | | | | | | |
| | 46007-3103 | 3 | A | SHORT | .062 | PK-43789-001 | 46007-3105 | 5 | A | SHORT | .094 | PK-43789-001 | | | | | | | | | | | |
| | 46007-5103 | 3 | A | SHORT | .094 | PK-43789-001 | 46007-5105 | 5 | A | LONG | .094 | PK-43789-001 | | | | | | | | | | | |
| 46007-5303 | 3 | A | LONG | .094 | PK-43789-001 | 46007-5305 | 5 | A | LONG | .125 | PK-43789-001 | | | | | | | | | | | | |
| 46007-7303 | 3 | A | LONG | .125 | PK-43789-001 | 46007-7305 | 5 | A | LONG | .125 | PK-43789-001 | | | | | | | | | | | | |

| REMOVE 94V-2 P/NS IEC NO: UCF2009-0067 DRAWN: JKOSTEMER 2009/03/05 CHECKED: HLAG 2009/03/05 APPR: FSW TH 2009/03/05 REV DESCRIPTION | QUALITY SYMBOLS | GENERAL TOLERANCES (UNLESS SPECIFIED) | DIMENSION STYLE | SCALE | DESIGN UNITS | THIRD ANGLE PROJECTION | | | | | | | | | | | | | | | | |
|---|--|---|-----------------|-------|--------------|------------------------|--------|---------|----------|-------|--------|----------|--------|-------|---------|--------|-------|----------------------|--|--|--|--|
| |  = 0  = 0 | <table border="1"> <tr> <th></th> <th>mm</th> <th>INCH</th> </tr> <tr> <td>4 PLACES</td> <td>± .005</td> <td>± .0005</td> </tr> <tr> <td>3 PLACES</td> <td>± .01</td> <td>± .001</td> </tr> <tr> <td>2 PLACES</td> <td>± 0.13</td> <td>± .01</td> </tr> <tr> <td>1 PLACE</td> <td>± 0.25</td> <td>± .01</td> </tr> </table> | | mm | INCH | 4 PLACES | ± .005 | ± .0005 | 3 PLACES | ± .01 | ± .001 | 2 PLACES | ± 0.13 | ± .01 | 1 PLACE | ± 0.25 | ± .01 | IN/MM 1:1 INCH | DRAWN BY: C STEWART CHECKED BY: B WIRKUS APPROVED BY: B WIRKUS DATE: 04/29/05 | TITLE: SABRE HEADER ASSY RT. ANGLE, 2-6 & 8 CIR. UL 1950 COMPLIANT |  MOLEX INCORPORATED | MATERIAL NO. SD-46007-001 DOCUMENT NO. SD-46007-001 SHEET NO. 5 OF 6 |
| | | mm | INCH | | | | | | | | | | | | | | | | | | | |
| | 4 PLACES | ± .005 | ± .0005 | | | | | | | | | | | | | | | | | | | |
| 3 PLACES | ± .01 | ± .001 | | | | | | | | | | | | | | | | | | | | |
| 2 PLACES | ± 0.13 | ± .01 | | | | | | | | | | | | | | | | | | | | |
| 1 PLACE | ± 0.25 | ± .01 | | | | | | | | | | | | | | | | | | | | |
| DRAFT WHERE APPLICABLE MUST REMAIN WITHIN DIMENSIONS | SEE CHART | THIS DRAWING CONTAINS INFORMATION THAT IS PROPRIETARY TO MOLEX INCORPORATED AND SHOULD NOT BE USED WITHOUT WRITTEN PERMISSION | | | | | | | | | | | | | | | | | | | | |
| | | | | | | | | | | | | | | | | | | | | | | |