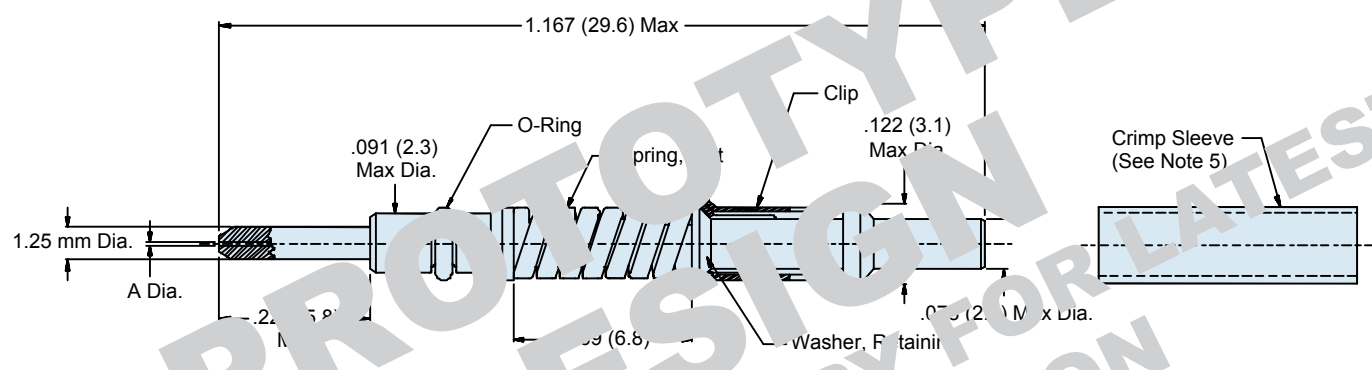




**181-043**  
**Rear Release Genderless Terminus**  
**for Next Generation (NGCON) Fiber Optic Connectors**

**181-043-126 M**

Product Series ———  
 Basic Number ———  
 Dash Number  
 (Table I)  
 M - Multimode  
 S - Singlemode



- APPLICATION NOTES**
1. Assembly packaged in plastic bag and tag for reference with manufacturer's name and part number.
  2. Material/Finish:  
 Fiber Optic: Zirconia Ceramic/N.A.  
 Terminus Assembly: Stainless Steel/Passivate  
 Retaining Clip: Spring Alloy/N.A.  
 Spring: High Tensile Stainless Steel/Passivate  
 O-Ring: Fluorosilicone  
 Crimp Sleeve: Brass Alloy/Nickel.
  3. Recommended Removal Tool: NAVSEA DWG TBD.
  4. See 182-XXXX for Pin Terminus Polishing Tool.
  5. Crimp Sleeve may be ordered separately (Table II).
  6. Metric dimensions (mm) are indicated in parentheses.

**TABLE I: DASH NUMBER**

ASSEMBLY DASH NUMBER	A DIA.
181-043-125	125
181-043-1255	125.5
181-043-126	126
181-043-127	127
181-043-142	142
181-043-145	145
181-043-156	156
181-043-157	157
181-043-173	173
181-043-175	175
181-043-236	236
181-043-285	285
181-043-448	448