

# SOLENOID PRODUCT SPECIFICATION

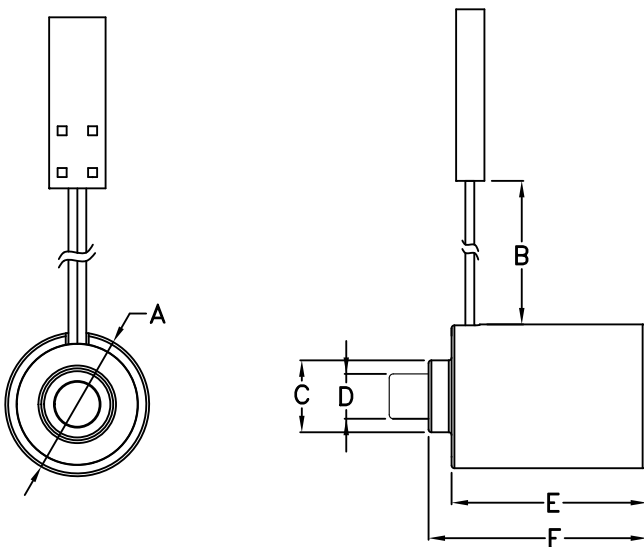
PART No.	VOLTAGE	DUTY CYCLE	POWER (W)	CURRENT (A)	DCR (Ω) *
DSTL-0418-24	24 VDC	100%	1.4	0.06	407
DSTL-0418-18	18 VDC	100%	1.4	0.08	233
DSTL-0418-12	12 VDC	100%	1.3	0.11	110
DSTL-0418-09	9 VDC	100%	1.2	0.13	70
DSTL-0418-06	6 VDC	100%	1.35	0.22	27

\* OPERATION: POWER TO PULL, BUILT-IN RETURN SPRING.

\* DCR VALUES ARE ±10% AT 25°C

\* WEIGHT ARE 13 GRAM ±10%

## 1. MECHANICAL DIMENSIONS :



UNIT : mm.

A = 12.80 MAX.

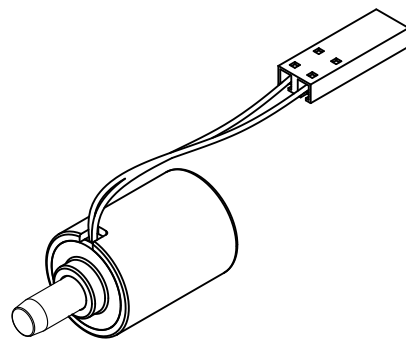
B = 61.00<sup>+5.0</sup><sub>-0</sub>

C = 6.35 MAX.

D = 3.97 MAX.

E = 17.50 MAX.

F = 19.50 MAX.

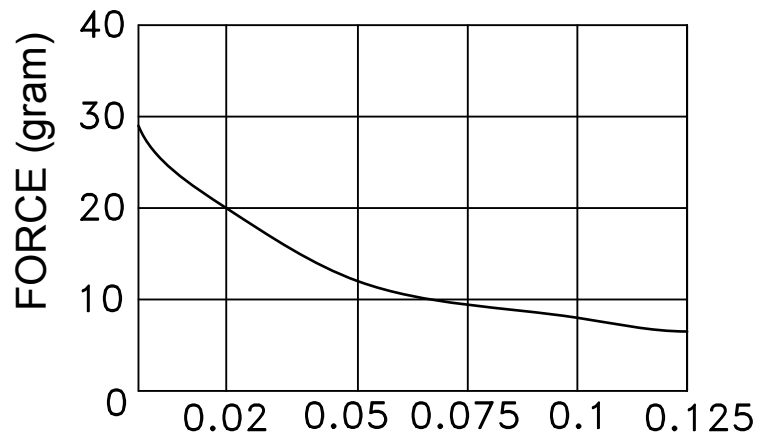


Connector : J.W.T

HOUSING : A2541H02-1\*2P

CONTACT PIN : A2541T3B-2

CABLE : AWG 30 UL 1571



STROKE (inch)

INSULATION MATERIALS: UL CONSTRUCTION, CLASS B 130°C  
 LIFE EXPECTANCY: 100K CYCLES OPERATIONS

LAYER TEST	IR. @500 Vdc.	HI-POT
(S-F) 500Vp. MIN.	COIL TO FRAME	@50/60Hz.,2mA
TEST ONLY COIL	100 MOHM MIN.	COIL TO FRAME
		500Vac.,60s