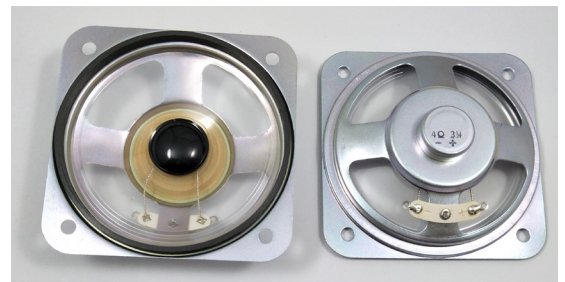
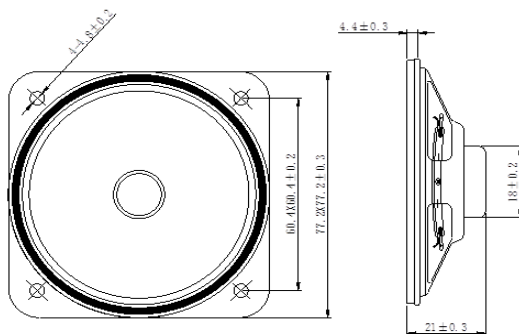


**MODEL:** WSP-7704  
**PRODUCT:** Waterproof Speaker  
**EDITION:** A/2017



Specification	Unit	WSP-7704
AC Impedance	$\Omega$	$4 \pm 15\%$ at 1000Hz
Rated Input Power	Watt	3.0
Max Input Power	Watt	4.0
Resonant Frequency	Hz	$330 \pm 20\%$
Frequency Range	Hz	F0 ~ 10.0KHz, Average SPL $\pm 10$ dB
Output Sound Pressure Level	dB	$102 \pm 3$ dB 1.0 Watt/ 1.0 Meter, AVG. at 0.8, 1.0, 1.2, 1.5KHz
Operating Temperature	$^{\circ}\text{C}$	$-20^{\circ}\text{C} \sim +50^{\circ}\text{C}$
Storage Temperature	$^{\circ}\text{C}$	$-40^{\circ}\text{C} \sim +60^{\circ}\text{C}$
Dimension	mm	77.2 x 77.2 x H21.0
Distortion		3% maximum at 1000Hz, 3.0W
Polarity		Diaphragm shall move forward when a positive DC current is applied to the "+" or "Marked" Terminal
Load Test		Audio Signal Generator at 3.46 Volt Total 48 hours and 20Hz ~ 20KHz resonant frequency
Abnormal Sound Test		Must be normal tested at 3.46 Volt sine wave

## DIMENSIONS



Unit: mm

## FREQUENCY RESPONSE

