

PLEASE CHECK WWW.MOLEX.COM FOR LATEST PART INFORMATION

Part Number: [0003061032](#)
Status: **Active**
Overview: [standard .062](#)
Description: 1.57mm (.062") Diameter Standard .062 Pin and Socket Receptacle Housing, 3 Circuits, Without Mounting

Documents:

[3D Model](#) [Product Specification PS-02-06 \(PDF\)](#)
[Drawing \(PDF\)](#) [RoHS Certificate of Compliance \(PDF\)](#)
[Packaging Specification \(PDF\)](#)

Agency Certification

CSA	LR19980
TUV	R72081037
UL	E29179

General

Product Family	Crimp Housings
Series	1625
Comments	Polarized to Mating Part
Overview	standard .062
Product Name	Standard .062"

Physical

Breakaway	No
Circuits (maximum)	3
Circuits Detail	1x3
Color - Resin	Natural
Flammability	94V-2
Gender	Receptacle
Glow-Wire Compliant	No
Keying to Mating Part	None
Lock to Mating Part	Yes
Material - Resin	Nylon
Number of Rows	1
Packaging Type	Bag
Panel Mount	No
Pitch - Mating Interface (in)	0.145 In
Pitch - Mating Interface (mm)	3.68 mm
Pitch - Term. Interface (in)	0.145 In
Pitch - Term. Interface (mm)	3.96 mm
Polarized to Mating Part	Yes
Stackable	No
Temperature Range - Operating	-40°C to +105°C

Electrical

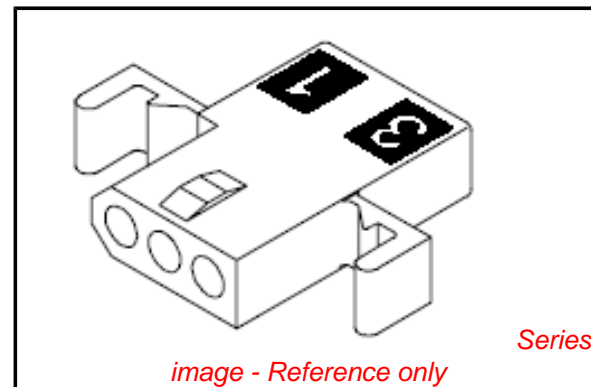
Current - Maximum per Contact	5A
-------------------------------	----

Material Info

Old Part Number	1625-3R1
-----------------	----------

Reference - Drawing Numbers

Packaging Specification	PK-1625-001
Product Specification	PS-02-06
Sales Drawing	SD-1625-3*



EU RoHS

ELV and RoHS Compliant
REACH SVHC
Contains SVHC: No
Halogen-Free
Status

China RoHS



Need more information on product environmental compliance?

Email productcompliance@molex.com
 For a multiple part number RoHS Certificate of Compliance, [click here](#)

Please visit the [Contact Us](#) section for any non-product compliance questions.

Search Parts in this Series

[1625Series](#)

Mates With

[1625 Plug](#)

Use With

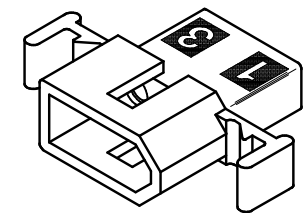
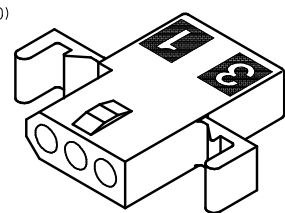
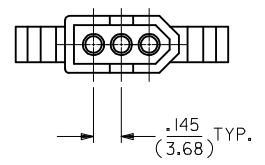
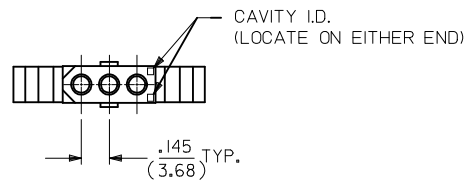
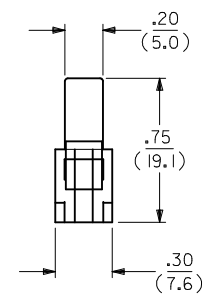
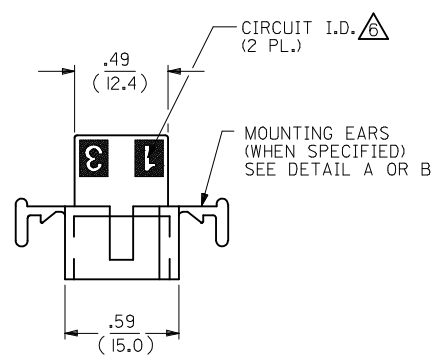
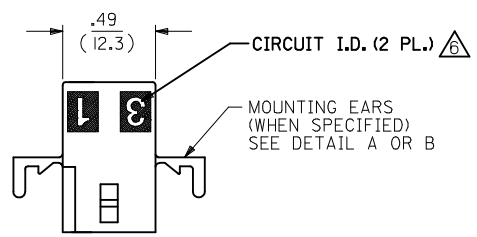
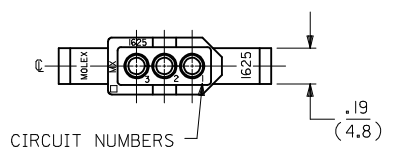
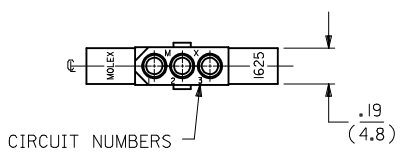
Female Crimp Terminals [1561Link:4559](#), [4529](#), [2190](#), [2189](#), [1787](#), [1855](#). Male Crimp Terminals [1560](#), [1786](#), [1854](#), [1778](#). Male PC Tail Terminals. [1779](#) Female PC Tail Terminals

This document was generated on 06/07/2010

PLEASE CHECK WWW.MOLEX.COM FOR LATEST PART INFORMATION

RECEPTACLE

PLUG



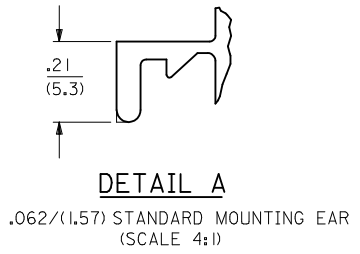
RECEPTACLE HOUSING
SHOWN WITH STANDARD EARS

PLUG HOUSING
SHOWN WITH STANDARD EARS

UPDATE REV. LEVEL EC NO: UCP2007-1925 DRAWN: PRIDDER CHKD: AELHAG APPR: FSMITH 2007/02/08 2007/02/12 2007/02/12	QUALITY SYMBOLS ▽=0 ▽=0	GENERAL TOLERANCES (UNLESS SPECIFIED)		DIMENSION STYLE IN/MM	SCALE ---	DESIGN UNITS INCH	THIRD ANGLE PROJECTION	
		4 PLACES ± --- ± ---	3 PLACES ± --- ± .010	DRAWN BY KBW	DATE 1/26/89	TITLE PLUG AND RECEPTACLE HOUSINGS, 3 CIRCUIT, .062 DIA.		
		2 PLACES ± 0.25 ± .014	1 PLACE ± 0.35 ± ---	CHECKED BY RW	DATE 1/26/89	MOLEX INCORPORATED		
		ANGULAR ± 1/2°		APPROVED BY RAS	DATE 1/26/89	MATERIAL NO. SEE CHART	DOCUMENT NO. SD-1625-3*	SHEET NO. 1 OF 2
M2	DESCRIPTION	DRAFT WHERE APPLICABLE MUST REMAIN WITHIN DIMENSIONS		THIS DRAWING CONTAINS INFORMATION THAT IS PROPRIETARY TO MOLEX INCORPORATED AND SHOULD NOT BE USED WITHOUT WRITTEN PERMISSION				

PLUG		
PART NO.	ENG. NO.	
03-06-2031	1625-3P	
03-06-2032	1625-3P1	
03-06-2034	1625-3P4BK	
03-06-7032	1625-3P1BK	OBSOLETE
03-06-2033	1625-3P4	

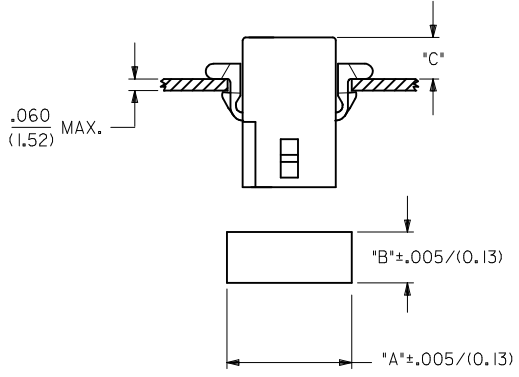
RECEPTACLE		
PART NO.	ENG. NO.	
03-06-1033	1625-3R2	
03-06-1031	1625-3R	
03-06-1032	1625-3R1	
03-06-6031	1625-3RBK	
03-06-6032	1625-3R1BK	OBSOLETE
03-06-1034	1625-3R3	
03-06-1038	1625-3R4	



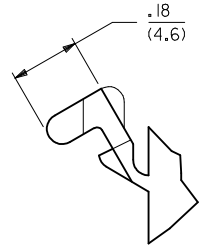
LEGEND:
1625-3****
CIRCUIT SIZE
P = PLUG
R = RECEPTACLE

BLANK = WITH STANDARD EARS
1 = WITHOUT EARS
2 = WITHOUT EARS, WITHOUT DETENTS
3 = WITH STD. EARS, WITHOUT DETENTS
4 = WITH PREBENT EARS

COLOR:
BLANK = NATURAL COLOR
AM = AMBER BK = BLACK BU = BLUE
BN = BROWN GY = GRAY GN = GREEN
OR = ORANGE RD = RED YW = YELLOW



HOUSING	DIM. "A"	DIM. "B"	"C" PREBENT EAR	"C" STANDARD EAR
PLUG	.754/(19.15)	.318/(8.08)	.19/(4.8)	.18/(4.6)
RECEPT.	.650/(16.51)	.265/(6.73)	.21/(5.3)	.20/(5.1)



- NOTES:-
1. MATERIAL: NYLON TYPE 6/6, 94V-2.
 2. FINISH: NONE.
 3. PRODUCT SPECIFICATION: PS-02-06.
 4. PACKAGING SPECS: BULK PACK PER PK-1625-001.
 5. ACCEPTS MOLEX .062" SERIES TERMINALS.

⚠ ETCHED CIRCUIT I.D. NUMBERS ON HOUSING MAY OR MAY NOT BE PRESENT.

7. PARTS CONFORM TO CLASS B REQUIREMENTS OF COSMETIC SPECIFICATION PS-45499-002.

REVISE NOTE # 6 EC NO: UCP2010-0366 DRW: AELHAG 2009/08/11 CHKD: J.BELL 2009/08/11 APPR: F.S.MITH 2009/08/12	QUALITY SYMBOLS ▽=0 ▽=0	GENERAL TOLERANCES (UNLESS SPECIFIED)		DIMENSION STYLE IN/MM		SCALE 1:1	DESIGN UNITS INCH	THIRD ANGLE PROJECTION																	
		<table border="1"> <tr> <th></th> <th>mm</th> <th>INCH</th> </tr> <tr> <td>4 PLACES</td> <td>± .005</td> <td>± .0005</td> </tr> <tr> <td>3 PLACES</td> <td>± .010</td> <td>± .0010</td> </tr> <tr> <td>2 PLACES</td> <td>± 0.025</td> <td>± .0014</td> </tr> <tr> <td>1 PLACE</td> <td>± 0.35</td> <td>± .0138</td> </tr> </table>			mm	INCH	4 PLACES	± .005	± .0005	3 PLACES	± .010	± .0010	2 PLACES	± 0.025	± .0014	1 PLACE	± 0.35	± .0138	DRAWN BY KBW		DATE 01/26/89	PLUG AND RECEPTACLE HOUSINGS, 3 CIRCUIT, .062 DIA.			
			mm	INCH																					
		4 PLACES	± .005	± .0005																					
3 PLACES	± .010	± .0010																							
2 PLACES	± 0.025	± .0014																							
1 PLACE	± 0.35	± .0138																							
CHECKED BY RW		DATE 01/26/89																							
APPROVED BY RAS		DATE 01/26/89		MATERIAL NO. SEE CHART		DOCUMENT NO. SD-1625-3*		SHEET NO. 2 OF 2																	
DRAFT WHERE APPLICABLE MUST REMAIN WITHIN DIMENSIONS		SIZE C		THIS DRAWING CONTAINS INFORMATION THAT IS PROPRIETARY TO MOLEX INCORPORATED AND SHOULD NOT BE USED WITHOUT WRITTEN PERMISSION																					