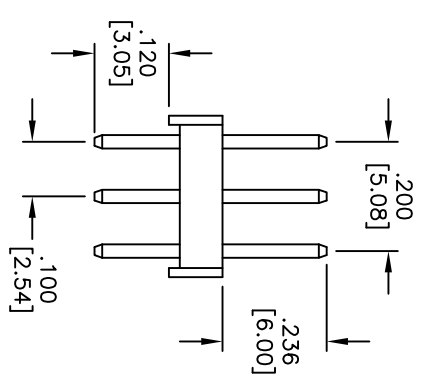
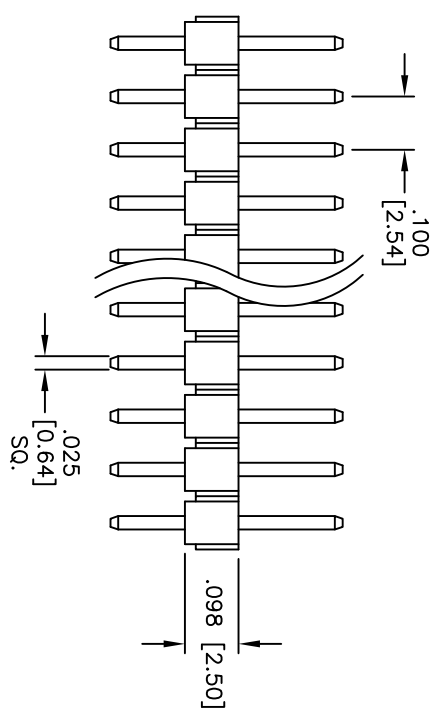
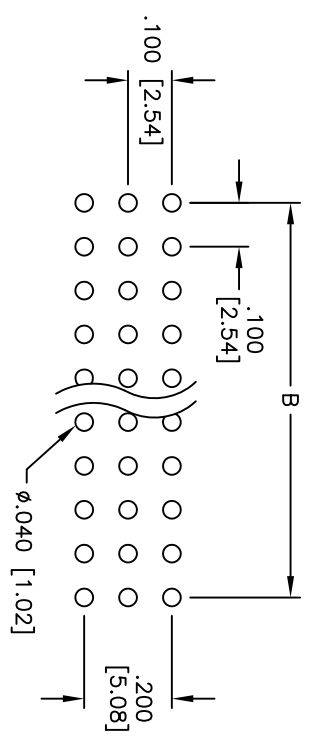
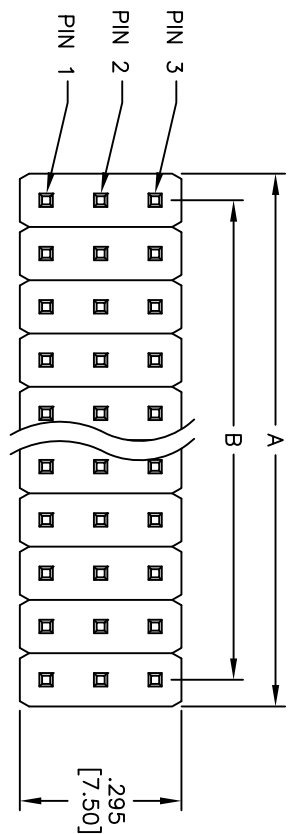


APPROVED: _____
 DATE: _____ TITLE: _____

Rev	AWO #	Description	Date	Appr
-		RELEASED	4/4/05	
A		UPDATED SPEC.	2/5/15	HR/NP



SPECIFICATIONS:
 Material: Insulator: PBT, glass reinforced, rated UL 94V-0
 Insulator color: Black
 Contacts: Brass
 Plating: Gold flash over Nickel underplate overall

Electrical:
 Current rating: 3 Amps max
 Contact resistance: 20 mohms max @ DC 100 mA
 Insulation resistance: 5,000 Mohms min @ 500 VDC
Temperature Rating:
 Operating temperature: -40°C to +105°C
 Environmental:
 Lead free, RoHS compliant

Positions: 6 thru 120
 A = .100 [2.54] x No. of Positions per Row
 B = .100 [2.54] x No. of Spaces

UNLESS OTHERWISE SPECIFIED
 ALL DIMENSIONS ARE INCHES [MM]
 TOLERANCES: EXCEPT AS NOTED

.X	± .10	ØXX	± .10
.XX	± .020	ØXXX	± .015
.XXX	± .015	ØXXXX	± .010

INCHES HOLES
 APPROVALS: _____ DATE: _____

ADAM TECH
 909 Railway Avenue, Union, NJ 07083
 Phone: 908-687-5000 Fax: 908-687-5710

TITLE: .100 [2.54] TRIPLE ROW PIN HEADER
 GOLD PLATED

DRAWN	SS	4/4/05	SIZE	PART NO.	PH3-XX-UA	REV.	A
CHECKED			X				
APPROVED			REF:	S0009T	SCALE:	NTS	SHEET 1 OF 1

