

Non-Polarized (Bi-Polarized) Axial Aluminum Electrolytic Capacitor –JAE

FEATURES

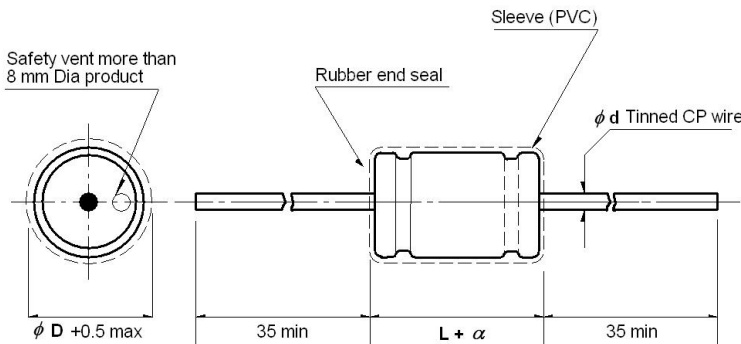
- Low Dissipation Factor
- Specially produced for Cross-Over Networks with high fidelity audio system
- High-quality crossover non-polar aluminum electrolytic capacitors
- Product mainly used: audio converters and dividers (partials), Audio amp, automotive electronics products, speaker.

SPECIFICATIONS

Operating Temperature Range (°C)	-40°C ~ +105°C
Capacitance Tolerance	± 10% (K) at 1KHZ
Voltage Range	50V, 100V
Leakage Current	MAX. 0.03CV + 3 μA After 5 minutes application of rated working voltage
Load Life	After 1,000 hours application of rated voltage at 105 ± 2°C, capacitors meet the characteristics requirement listed at right.
	(a) Capacitance change: Within ± 25% of initial
	(b) Tan δ : 200% or less of initial specified
	(c) Leakage current : Install specified value or less
MAX Dissipation Factor	MAX 10% at 1KHz



DIMENSIONS (mm)



Lead Diameter:

§ D	8	10	13	16	18	22
§ d	0.6	0.6	0.6	0.8	0.8	0.8
α	0.8	1.5	2.0	2.0	2.0	2.0

DIMENSIONS: Diameter (DØ) x Length (L) m/m

V.DC	50 V	100 V	V.DC	50 V	100 V
μf	D x L	D x L	μf	D x L	D x L
1	8x17	8x17	47	13x27	13x27
1.5	8x17	8x17	68	13x32	13x32
2.2	8x17	8x17	100	13x32	16x34
3.3	8x17	8x17	150	13x32	16x34
4.7	8x17	8x19	220	16x38	16x42
6.8	8x19	10x19	250	16x38	18x44
10	8x19	10x19	300	16x38	22x44
15	10x19	10x19	350	16x38	22x44
22	10x24	10x24	470	18x44	25x52
33	13x27	13x27			

Please visit our website to get more update data, those data & specification are subject to change without notice.