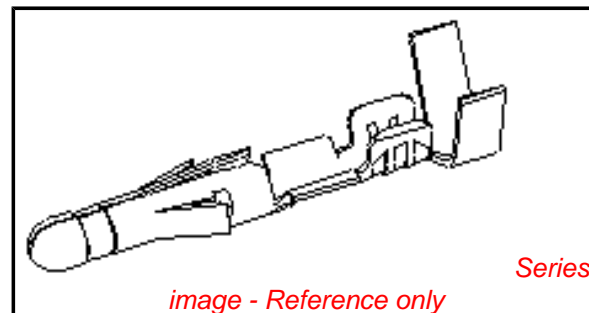


PLEASE CHECK WWW.MOLEX.COM FOR LATEST PART INFORMATION

Part Number: **0002096101**
Status: **Active**
Overview: standard_093
Description: 2.36mm (.093") Diameter, Standard .093" Pin and Socket Crimp Terminal, Series 1190, Male, with Selective Gold (Au) Plated Brass Contact, 14-20 AWG, Reel

Documents:

[Drawing \(PDF\)](#) [RoHS Certificate of Compliance \(PDF\)](#)
[Product Specification PS-02-09 \(PDF\)](#)



General

Product Family	Crimp Terminals
Series	<u>1190</u>
Crimp Quality Equipment	Yes
Overview	<u>standard_093</u>
Product Name	Standard .093"
Physical	
Gender	Male
Material - Metal	Brass
Material - Plating Mating	Gold
Material - Plating Termination	Gold
Packaging Type	Reel
Plating min: Mating (µin)	50
Plating min: Mating (µm)	1.25
Plating min: Termination (µin)	10
Plating min: Termination (µm)	0.25
Termination Interface: Style	Crimp or Compression
Wire Insulation Diameter	1.65-4.06mm (.065-.160")
Wire Size AWG	14, 16, 18, 20
Wire Size mm ²	N/A

Material Info

Old Part Number 1190591

Reference - Drawing Numbers

Packaging Specification	PK-1190-001
Product Specification	PS-02-09
Sales Drawing	SD-1190-*

EU RoHS

**ELV and RoHS
Compliant**

**REACH SVHC
Not Reviewed**

**Halogen-Free
Status**

Not Reviewed

China RoHS



**Need more information on product
environmental compliance?**

Email productcompliance@molex.com
 For a multiple part number RoHS Certificate of Compliance, [click here](#)

Please visit the [Contact Us](#) section for any non-product compliance questions.

Search Parts in this Series

1190Series

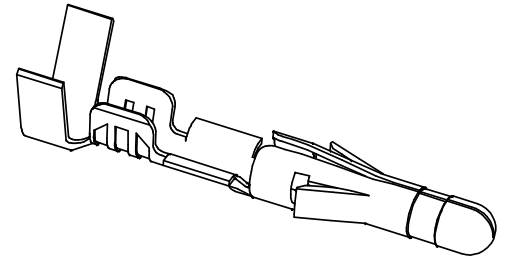
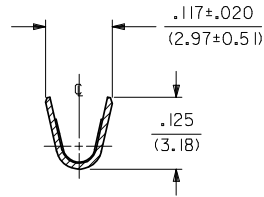
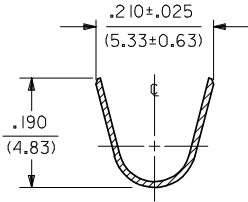
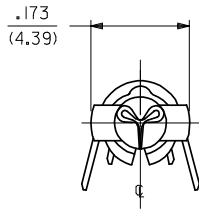
Application Tooling | FAQ

Tooling specifications and manuals are found by selecting the products below. Crimp Height Specifications are then contained in the Application Tooling Specification document.

Global

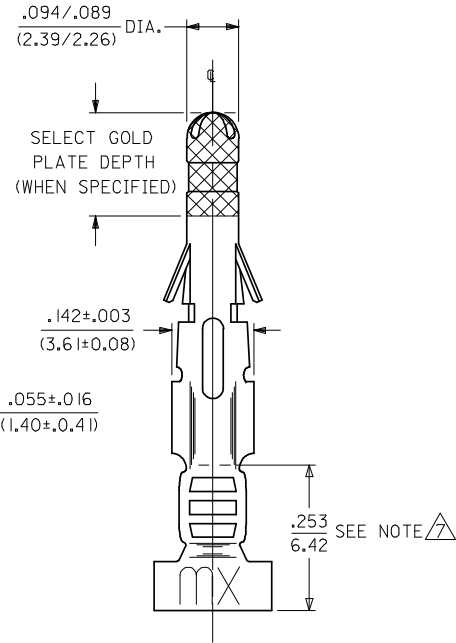
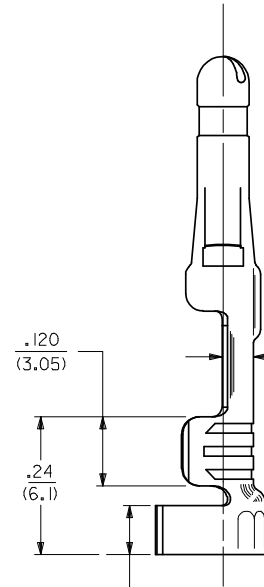
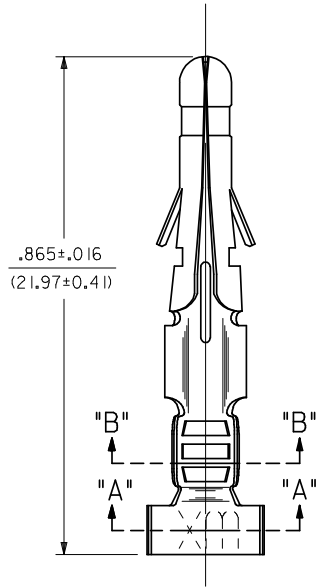
Description	Product #
Mini-Mac™ Applicator	<u>0638927100</u>
Mini-Mac™ Applicator	<u>0638927300</u>
Insertion Tool	<u>0011020003</u>
Extraction Tool	<u>0011030006</u>
Terminator Die	<u>0011402001</u>
Hand Crimper - DISTRIBUTION ONLY	<u>0638111000</u>

PART NO.	ENG. NO.
02-09-2103	1190-(P901)L
02-09-2101	1190-(P901)
02-09-6110	1190-(591)L
02-09-6101	1190-(591)
02-09-6106	1190-(550)L
02-09-6100	1190-(550)



SECT. "A-A"

SECT. "B-B"

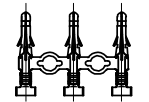


NOTES:

- MATERIAL:
CARTRIDGE BRASS
- FINISH CODES:
901 HOT TIN DIP .000020/(0.00051) MIN.
591 SELECT GOLD PLATE .000050/(0.00127) MIN. IN CONTACT AREA,
OVER .000050/(0.00127) MIN. NICKEL OVERALL
WITH .000010/(0.00025) MAX. GOLD FLASH OVERALL.
550 SELECT GOLD PLATE .000015/(0.00038) MIN. IN CONTACT AREA,
OVER .000030/(0.00076) MIN. NICKEL OVERALL
WITH .000010/(0.00025) MAX. GOLD FLASH OVERALL.
- PRODUCT SPECIFICATION: PS-43660-9999
- PACKAGING SPECIFICATION: PK-1190-001
- INSERTION FORCE: 3.5 LBS. MAX. WHEN TERMINAL IS INSERTED INTO .093 SERIES HOUSING.
- RETENTION: 20 LBS. MIN. FROM HOUSING.
- DIMENSION FROM THE END OF THE TERMINAL TO THE END OF THE BRUSH ON THE WIRE CRIMPED INTO THE TERMINAL.
- TERMINAL FOR USE WITH .093/(2.36) SERIES HOUSINGS AND WILL ACCEPT 14 THRU 20 AWG WIRE.

LEGEND

1190-(****)*
 P=PREPLATE BLANK=POSTPLATE
 FORM BLANK=CHAIN L=LOOSE
 FINISH CODE



CHAIN FORM FULL SCALE

ADD PK SPEC EC NO: UCP2009-0180 DRWG:GAVERTLL 2008/08/15 CHKD:AELHAG 2008/08/22 APPR:FSM LTH 2008/08/22 REV: BS1	DESCRIPTION CRIMP TERMINAL, MALE	QUALITY SYMBOLS = 0 = 0	GENERAL TOLERANCES (UNLESS SPECIFIED) <table border="1"> <thead> <tr> <th></th> <th>mm</th> <th>INCH</th> </tr> </thead> <tbody> <tr> <td>4 PLACES</td> <td>± .05</td> <td>± .002</td> </tr> <tr> <td>3 PLACES</td> <td>± .075</td> <td>± .003</td> </tr> <tr> <td>2 PLACES</td> <td>± .125</td> <td>± .005</td> </tr> <tr> <td>1 PLACE</td> <td>± .25</td> <td>± .010</td> </tr> </tbody> </table>		mm	INCH	4 PLACES	± .05	± .002	3 PLACES	± .075	± .003	2 PLACES	± .125	± .005	1 PLACE	± .25	± .010	DIMENSION STYLE IN/MM	SCALE 6:1	DESIGN UNITS INCH	THIRD ANGLE PROJECTION
		mm	INCH																			
	4 PLACES	± .05	± .002																			
	3 PLACES	± .075	± .003																			
2 PLACES	± .125	± .005																				
1 PLACE	± .25	± .010																				
DRAWN BY GEP DATE 10/26/87	CHECKED BY RW DATE 10/26/87	APPROVED BY RAS DATE 10/26/87	TITLE CRIMP TERMINAL, MALE .093/(2.36) DIA. FOR 14 THRU 20 AWG. WIRE	MATERIAL NO. SEE CHART	DOCUMENT NO. SD-1190-*	SHEET NO. 1 OF 1																
DRAFT WHERE APPLICABLE MUST REMAIN WITHIN DIMENSIONS							THIS DRAWING CONTAINS INFORMATION THAT IS PROPRIETARY TO MOLEX INCORPORATED AND SHOULD NOT BE USED WITHOUT WRITTEN PERMISSION															
MOLEX INCORPORATED																						