

TPS7B4253-Q1 300-mA 40-V Low-Dropout Voltage-Tracking LDO With 4-mV Tracking Tolerance

1 Features

- Qualified for Automotive Applications
- AEC-Q100 Qualified With the Following Results:
 - Device Temperature Grade 1: –40°C to +125°C Ambient Operating Temperature Range
 - Device HBM ESD Classification Level 3A
 - Device CDM ESD Classification Level C6
- –40 to 45-V Wide Input-Voltage Range (Maximum)
- Output Voltage Adjusts Down to:
 - 1.5 to 40 V (HTSSOP)
 - 2 to 40 V (SO PowerPAD™)
- 300-mA Output Current Capability
- Very-Low Output Tracking Tolerance, ± 4 mV
- 320-mV Low Dropout Voltage when $I_{OUT} = 200$ mA
- Separate Pins for Enable and Tracking Inputs (HTSSOP only)
- Low Quiescent Current (I_Q):
 - $< 4 \mu\text{A}$ when EN = LOW
 - $60 \mu\text{A}$ (Typical) at Light Loads
- Extremely Wide ESR Range.
 - Stable With 10- to 500- μF Ceramic Output Capacitor, ESR 1 m Ω to 20 Ω
- Reverse Polarity Protection
- Current-Limit and Thermal-Shutdown Protection
- Output Short-Circuit Proof to Ground and Supply
- Inductive Clamp at OUT Pin
- Available in the Following Packages:
 - 8-Pin SO PowerPAD Package
 - 20-Pin HTSSOP Package

2 Applications

- Off-Board Sensor Supply
- High-Precision Voltage Tracking
- Power Switch for Off-Board Load

3 Description

For automotive off-board sensors and small current off-board modules, the power supply is through a long cable from the main board. In such cases, protection is required in the power devices for the off-board loads to prevent the onboard components from damage during a short to GND or short to battery caused by a broken cable. Off-board sensors require consistent power supply as onboard components to secure high accuracy of data acquisition.

The TPS7B4253-Q1 device is designed for automotive applications with a 45-V load dump. The device can either be used as one tracking low-dropout (LDO) regulator or voltage tracker to build one closed power loop for off-board sensors with an onboard main supply. The output of the device is accurately regulated by a reference voltage at the ADJ pin.

To provide an accurate power supply to the off-board modules, the device offers a 4-mV ultralow tracking tolerance between the ADJ and FB pins across temperature. The back-to-back PMOS topology eliminates the need for an external diode under reverse polarity condition. The TPS7B4253-Q1 device also includes thermal shutdown, inductive clamp, overload, and short-to-battery protection to prevent damage to onboard components during extreme conditions.

Device Information⁽¹⁾

PART NUMBER	PACKAGE	BODY SIZE (NOM)
TPS7B4253-Q1	SO PowerPAD (8)	4.89 mm x 3.90 mm
	HTSSOP (20)	6.50 mm x 4.40 mm

(1) For all available packages, see the orderable addendum at the end of the data sheet.

Typical Application Schematic

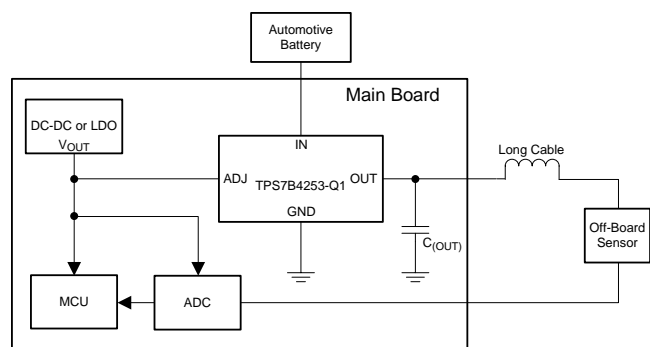


Table of Contents

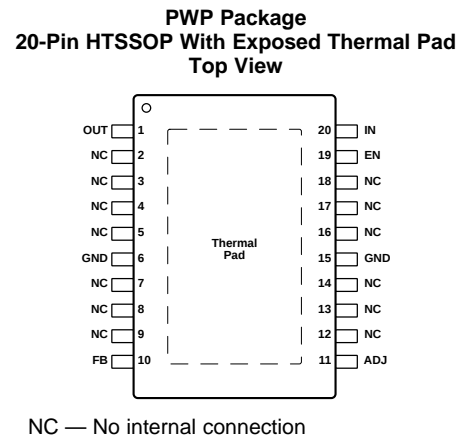
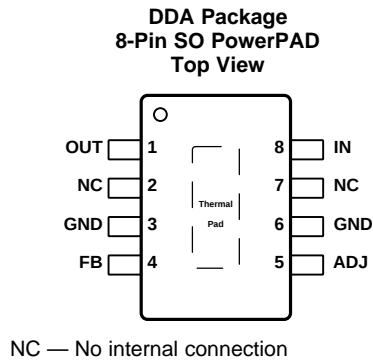
1	Features	1	8	Application and Implementation	16
2	Applications	1	8.1	Application Information.....	16
3	Description	1	8.2	Typical Application	16
4	Revision History	2	9	Power Supply Recommendations	19
5	Pin Configuration and Functions	3	10	Layout	20
6	Specifications	4	10.1	Layout Guidelines	20
6.1	Absolute Maximum Ratings	4	10.2	Layout Example	20
6.2	ESD Ratings.....	4	10.3	Power Dissipation and Thermal Considerations...	21
6.3	Recommended Operating Conditions.....	4	11	Device and Documentation Support	22
6.4	Thermal Information	5	11.1	Device Support.....	22
6.5	Electrical Characteristics.....	5	11.2	Documentation Support	22
6.6	Typical Characteristics.....	6	11.3	Community Resource.....	22
7	Detailed Description	10	11.4	Trademarks	22
7.1	Overview	10	11.5	Electrostatic Discharge Caution.....	22
7.2	Functional Block Diagram	10	11.6	Glossary	22
7.3	Feature Description.....	10	12	Mechanical, Packaging, and Orderable Information	22
7.4	Device Functional Modes.....	15			

4 Revision History

NOTE: Page numbers for previous revisions may differ from page numbers in the current version.

Changes from Original (January 2015) to Revision A	Page
• Changed the device status from <i>Product Preview</i> to <i>Production Data</i>	1

5 Pin Configuration and Functions



Pin Functions

PIN			TYPE ⁽¹⁾	DESCRIPTION
NAME	SO PowerPAD	HTSSOP		
ADJ	5	11	I	Connect the reference to this pin. A low signal disables the device and a high signal enables the device. The reference voltage can be connected directly or by a voltage divider for lower output voltages. To compensate for line influences, connect a capacitor close to the device pins.
EN	—	19	I	This pin is the enable pin. The device goes to the STANDBY state when the enable pin goes lower than the threshold value.
FB	4	10	I	This pin is the feedback pin which can connect to the external resistor divider to select the output voltage.
GND	3	6	G	Ground reference
	6	15		
IN	8	20	I	This pin is the device supply. To compensate for line influences, connect a capacitor close to the device pins.
NC	2	2	NC	Not connected
		3		
		4		
		5		
		7		
		8		
		9		
	7	12		
		13		
		14		
		16		
		17		
		18		
		18		
OUT	1	1	O	Block to GND with a capacitor close to the device pins with respect to the capacitance and ESR requirements listed in the Output Capacitor section.
Exposed thermal pad			—	Connect the thermal pad to the GND pin or leave it floating.

(1) I = input, O = output, G = ground, NC = no connect

6 Specifications

6.1 Absolute Maximum Ratings

 over operating free-air temperature range (unless otherwise noted)⁽¹⁾

		MIN	MAX	UNIT
Unregulated input voltage	IN ⁽²⁾⁽³⁾	–40	45	V
Enable input voltage	Enable input voltage ⁽²⁾⁽³⁾	–40	45	V
Regulated output voltage	Regulated output voltage ⁽²⁾⁽⁴⁾	–1	45	V
Voltage difference between the input and output	IN – OUT	–40	45	V
Reference voltage	ADJ ⁽²⁾⁽³⁾	–0.3	45	V
Feedback input voltage for the tracker	FB ⁽²⁾⁽³⁾	–1	45	V
Reference voltage minus the input voltage	ADJ – IN ⁽⁵⁾		18	V
Operating junction temperature, T _J		–40	150	°C
Storage temperature, T _{stg}		–65	150	°C

- (1) Stresses beyond those listed under *Absolute Maximum Ratings* may cause permanent damage to the device. These are stress ratings only, which do not imply functional operation of the device at these or any other conditions beyond those indicated under *Recommended Operating Conditions*. Exposure to absolute-maximum-rated conditions for extended periods may affect device reliability.
- (2) All voltage values are with respect to the GND pin.
- (3) Absolute maximum voltage.
- (4) An internal diode is connected between the OUT and GND pins with 600-mA DC current capability for inductive clamp protection.
- (5) The ADJ voltage cannot be 18 V higher than the IN voltage, otherwise the device can be damaged.

6.2 ESD Ratings

			VALUE	UNIT	
V _(ESD)	Electrostatic discharge	Human body model (HBM), per AEC Q100-002 ⁽¹⁾	NC pins	±2000	kV
			All pins except for NC pins	±4000	kV
		Charged device model (CDM), per AEC Q100-011		±1000	kV

- (1) AEC Q100-002 indicates that HBM stressing shall be in accordance with the ANSI/ESDA/JEDEC JS-001 specification.

6.3 Recommended Operating Conditions

 over operating free-air temperature range (unless otherwise noted)⁽¹⁾

		MIN	MAX	UNIT
V _{IN}	Unregulated input voltage ⁽²⁾	4	40	V
V _{EN}	Enable input voltage	0	40	V
V _{ADJ}	Adjust and enable input voltage	1.5	18	V
V _{FB}	Feedback input voltage for the tracker	1.5	18	V
V _{OUT}	Output voltage	1.5	40	V
C _(OUT)	Output capacitor requirements ⁽³⁾	10	500	μF
	Output ESR requirements ⁽⁴⁾	0.001	20	Ω
T _J	Operating junction temperature range	–40	150	°C

- (1) Within the functional range the device operates as described in the circuit description. The electrical characteristics are specified within the conditions given in the related *Electrical Characteristics* table.
- (2) V_{IN} > V_{ADJ} + V_(DROPOUT)
- (3) The minimum output capacitance requirement is applicable for a worst-case capacitance tolerance of 30%, when a resistor divider is connected between the OUT and FB pins (the output voltage is higher than reference voltage), a 47-nF feedforward capacitor is required to be connected between the OUT and FB pins for loop stability, and the ESR range of the output capacitor is required to be from 0.001 to 10 Ω.
- (4) Relevant ESR value at f = 10 kHz

6.4 Thermal Information

THERMAL METRIC ⁽¹⁾	TPS7B4253-Q1		UNIT	
	DDA (SO PowerPAD)	PWP (HTSSOP)		
	8 PINS	20 PINS		
R _{θJA}	Junction-to-ambient thermal resistance	45.4	45.9	°C/W
R _{θJC(top)}	Junction-to-case (top) thermal resistance	51.1	29.2	°C/W
R _{θJB}	Junction-to-board thermal resistance	27.0	24.7	°C/W
ψ _{JT}	Junction-to-top characterization parameter	8.2	1.3	°C/W
ψ _{JB}	Junction-to-board characterization parameter	26.9	24.5	°C/W
R _{θJC(bot)}	Junction-to-case (bottom) thermal resistance	6.4	3.7	°C/W

(1) For more information about traditional and new thermal metrics, see the *Semiconductor and IC Package Thermal Metrics* application report, [SPRA953](#).

6.5 Electrical Characteristics

V_{IN} = 13.5 V, V_{ADJ} ≥ 1.5 V for HTSSOP, V_{ADJ} ≥ 2 V for SO PowerPAD, V_{EN} ≥ 2 V, T_J = –40°C to 150°C unless otherwise stated

PARAMETER	TEST CONDITIONS	MIN	TYP	MAX	UNIT
V _{I(UVLO)}	V _{IN} rising			3.65	V
	V _{IN} falling			2.8	V
ΔVO	Output voltage tracking accuracy ⁽¹⁾ I _{OUT} = 100 μA to 300 mA, V _{IN} = 4 to 40 V V _{ADJ} < V _{IN} – 1 V 1.5 V < V _{ADJ} < 18 V for HTSSOP 2 V < V _{ADJ} < 18 V for SO PowerPAD	–4		4	mV
ΔV _{O(ΔIO)}	Load regulation steady-state I _{OUT} = 0.1 to 300 mA, V _{ADJ} = 5 V			4	mV
ΔV _{O(ΔVI)}	Line regulation steady-state I _{OUT} = 10 mA, V _{IN} = 6 to 40 V, V _{ADJ} = 5 V			4	mV
PSRR	Power supply ripple rejection f _{rip} = 100 Hz, V _{rip} = 0.5 V _{PP} , C _(OUT) = 10 μF, I _{OUT} = 100 mA		70		dB
V _(DROPOUT)	Dropout voltage (V _(DROPOUT) = V _{IN} – V _{OUT}) I _{OUT} = 200 mA, V _{IN} = V _{ADJ} ≥ 4 V ⁽²⁾		320	520	mV
I _{O(lim)}	Output current limitation V _{ADJ} = 5 V, OUT short to GND	301	450	520	mA
I _{R(IN)}	Reverse current at IN V _{IN} = 0 V, V _{OUT} = 40 V, V _{ADJ} = 5 V	–2		0	μA
I _{R(-IN)}	Reverse current at negative IN V _{IN} = –40 V, V _{OUT} = 0 V, V _{ADJ} = 5 V	–10		0	μA
T _{SD}	Thermal shutdown temperature T _J increases because of power dissipation generated by the IC		175		°C
T _{SD_hys}	Thermal shutdown hysteresis		15		°C
I _Q	Current consumption 4 V ≤ V _{IN} ≤ 40 V, V _{ADJ} = 0 V; V _{EN} = 0 V 4 V ≤ V _{IN} ≤ 40 V, V _{EN} ≥ 2 V, V _{ADJ} < 0.8 V 4 V ≤ V _{IN} ≤ 40 V, I _{OUT} < 100 μA, V _{ADJ} = 5 V 4 V ≤ V _{IN} ≤ 40 V, I _{OUT} < 300 mA, V _{ADJ} = 5 V		2	4	μA
			7	18	
			60	100	
			350	400	
I _{Q(DROPOUT)}	Current consumption in dropout region V _{IN} = V _{ADJ} = 5 V, I _{OUT} = 100 μA		70	140	μA
I _{I(ADJ)}	Adjust input current HTSSOP package, V _{ADJ} = V _{FB} = 5 V SO PowerPAD package, V _{ADJ} = V _{FB} = 5 V			0.5	μA
				5.5	
V _(ADJ_LOW)	Adjust low signal valid V _{OUT} = 0 V	0		0.8	V
V _(ADJ_HIGH)	Adjust high signal valid V _{OUT} – V _{ADJ} < 5 mV	1.5		18	V
V _(EN_LOW)	Enable low signal valid V _{OUT} = 0 V	0		0.7	V
V _(EN_HIGH)	Enable high Signal Valid OUT settled	2		40	V
I _{EN}	Enable pulldown current 2V < V _{EN} < 40 V			5	μA
I _{FB}	FB bias current V _{ADJ} = V _{FB} = 5 V			0.5	μA

(1) The tracking accuracy is specified when the FB pin is directly connected to the OUT pin which means V_{ADJ} = V_{OUT}, external resistor divider variance is not included.

(2) Measured when the output voltage, V_{OUT} has dropped 10 mV from the nominal value.

6.6 Typical Characteristics

$V_{IN} = 14\text{ V}$, $V_{ADJ} = 5\text{ V}$, $V_{FB} = V_{OUT}$, unless otherwise specified

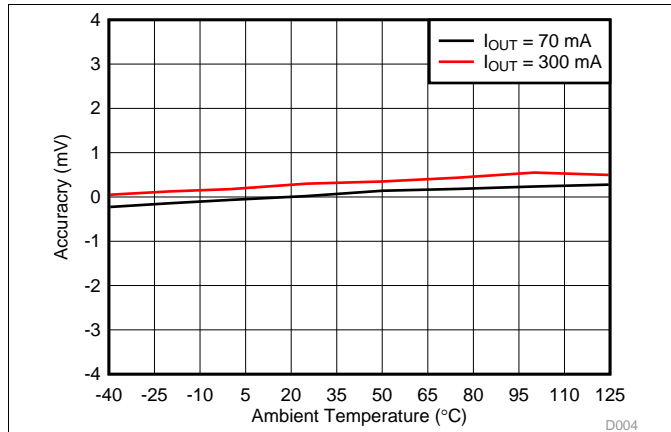


Figure 1. Tracking Accuracy vs Ambient Temperature

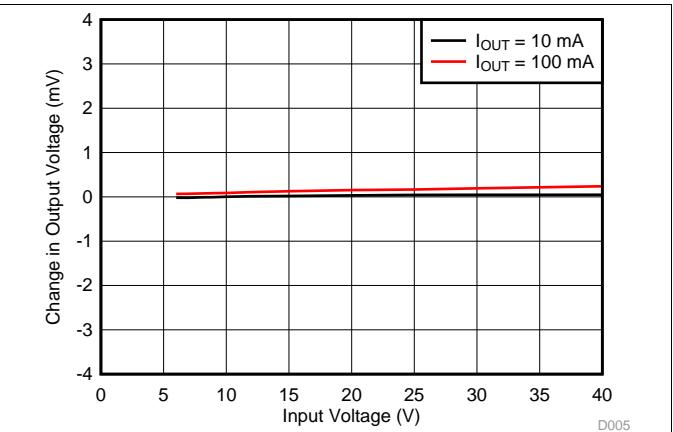


Figure 2. Line Regulation

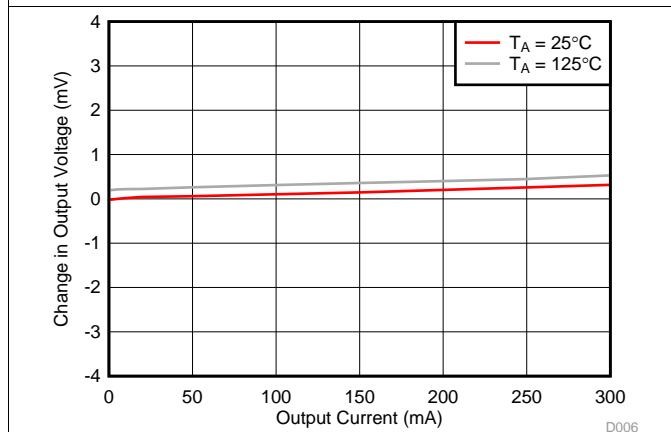
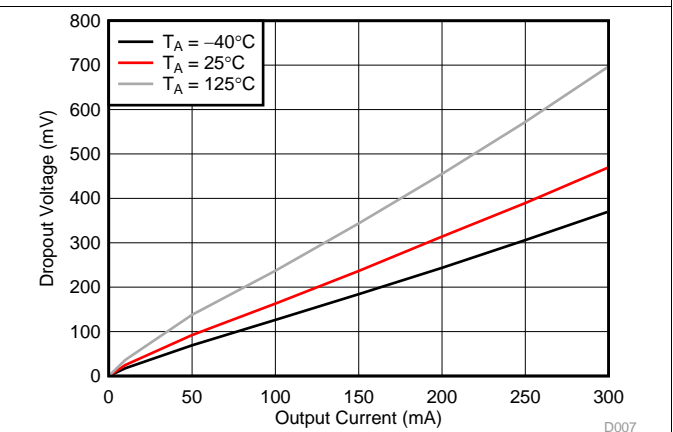
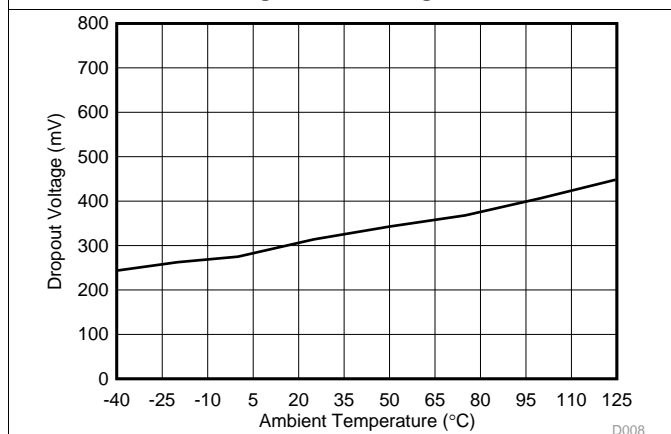


Figure 3. Load Regulation



$V_{IN} = V_{ADJ} = 4\text{ V}$

Figure 4. Dropout Voltage vs Output Current



$V_{IN} = V_{ADJ} = 4\text{ V}$ $I_{OUT} = 200\text{ mA}$

Figure 5. Dropout Voltage vs Ambient Temperature

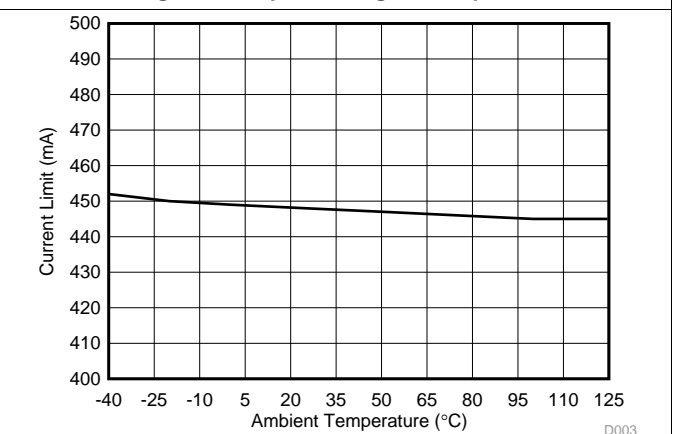


Figure 6. Current Limit ($I_{O(lim)}$) vs Ambient Temperature

Typical Characteristics (continued)

$V_{IN} = 14\text{ V}$, $V_{ADJ} = 5\text{ V}$, $V_{FB} = V_{OUT}$, unless otherwise specified

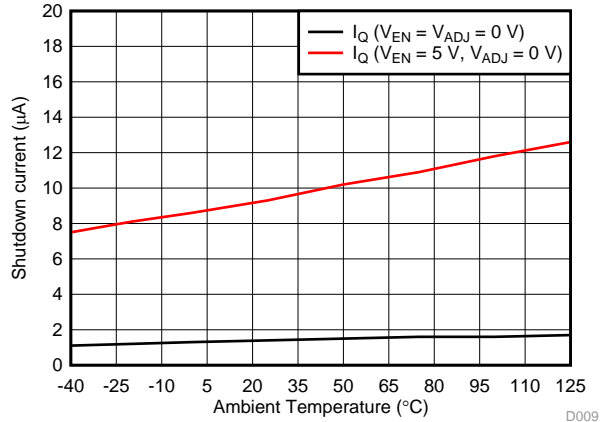


Figure 7. Shutdown Current vs Ambient Temperature

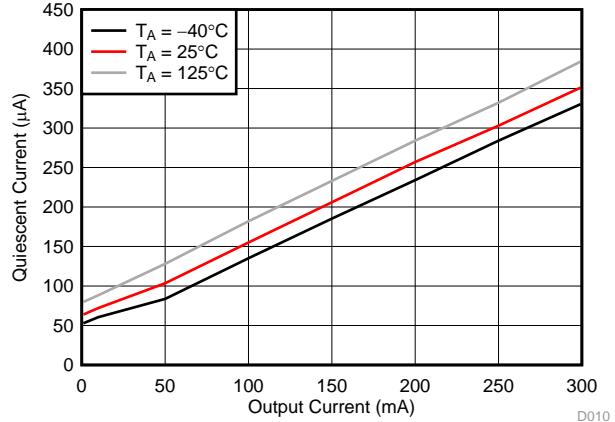


Figure 8. Quiescent Current vs Output Current

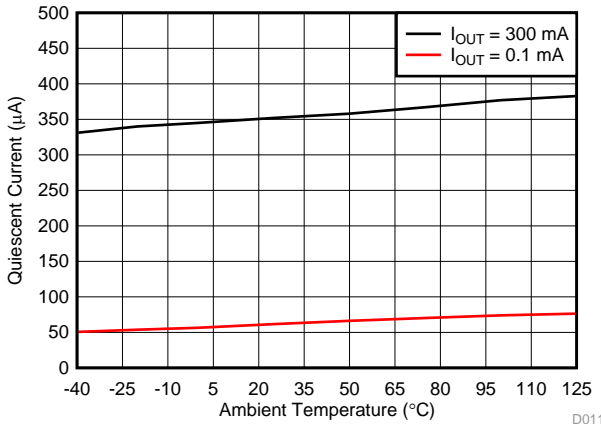
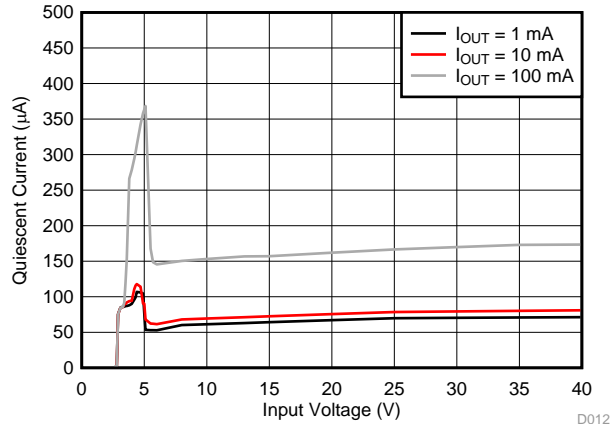


Figure 9. Quiescent Current vs Ambient Temperature



$V_{ADJ} = V_{EN} = 5\text{ V}$

Figure 10. Quiescent Current vs Input Voltage

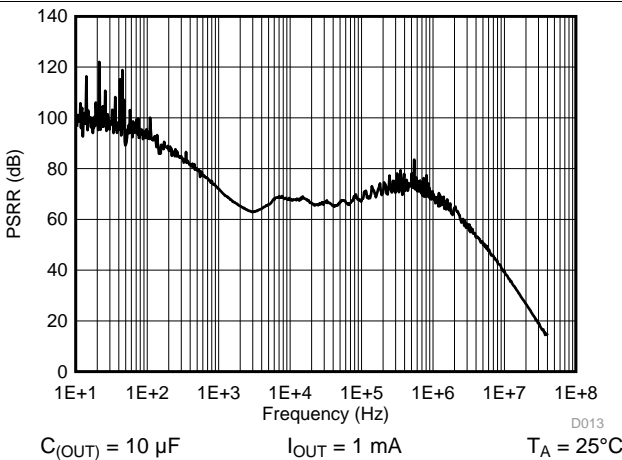


Figure 11. PSRR

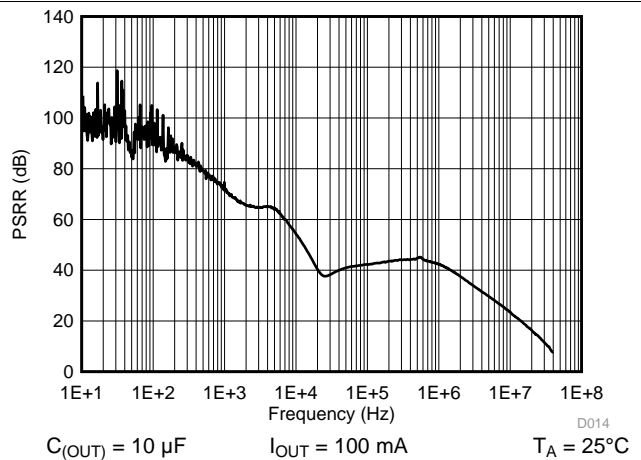
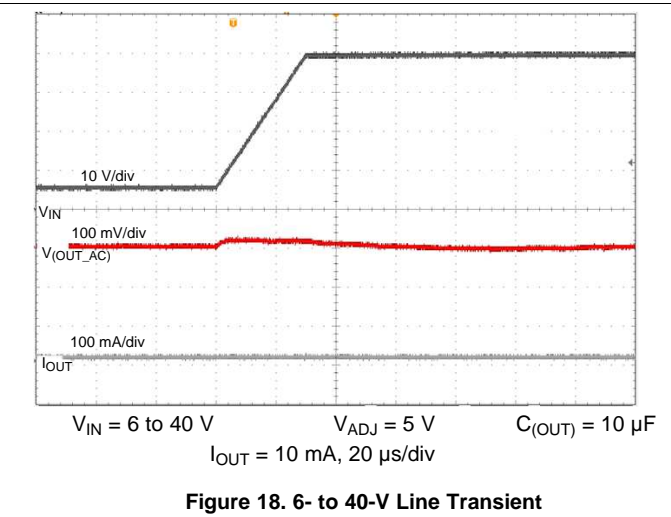
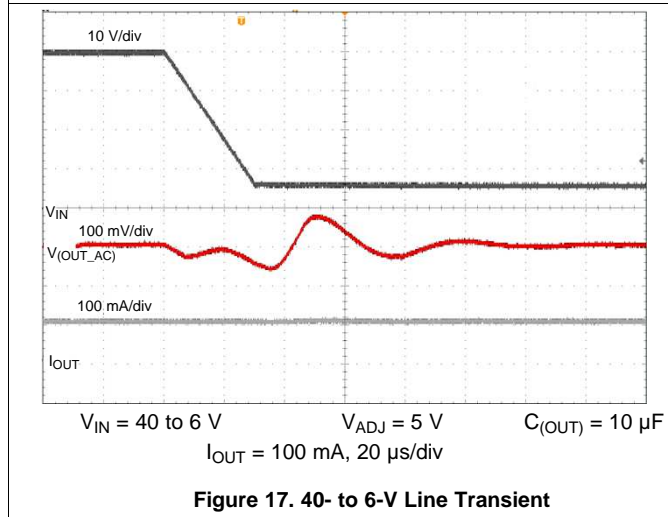
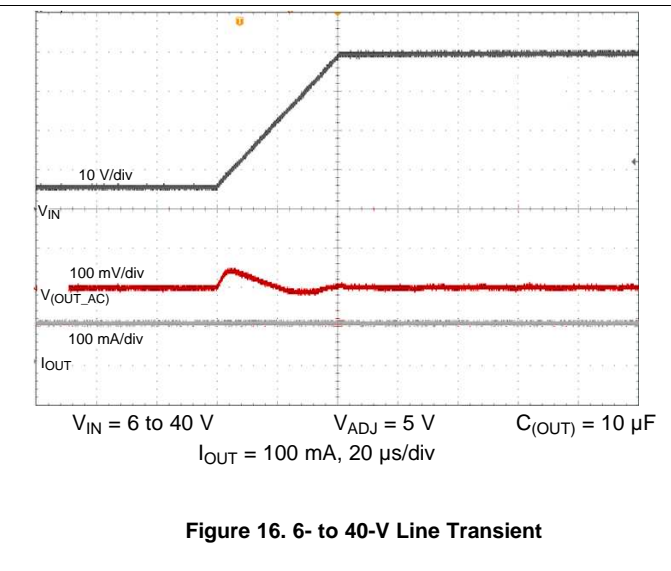
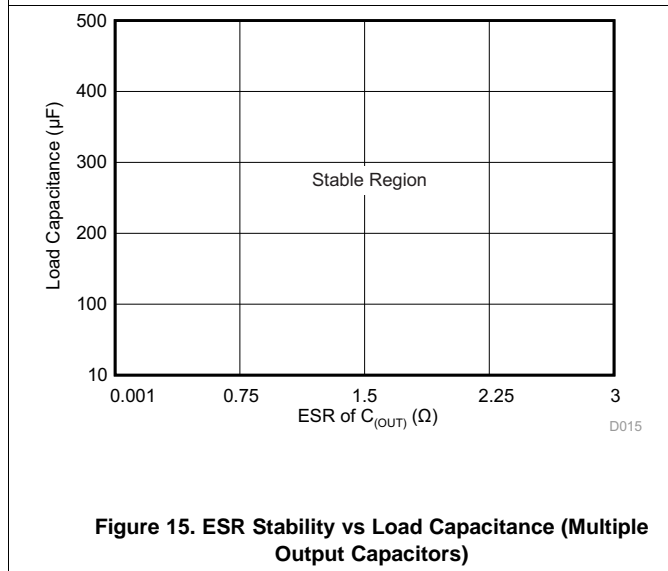
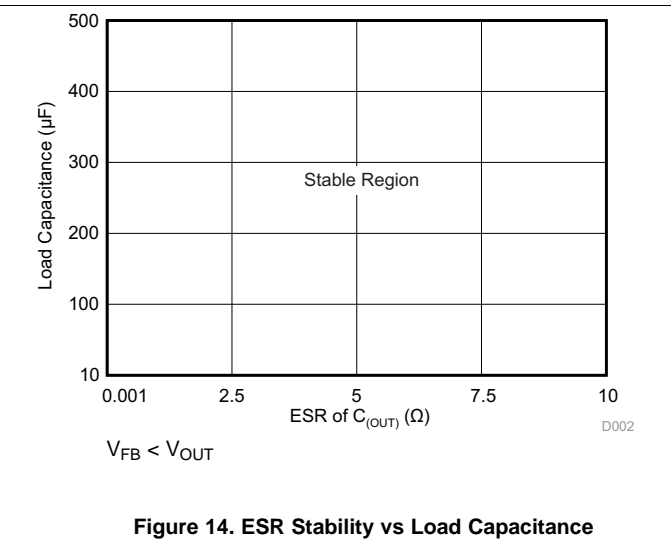
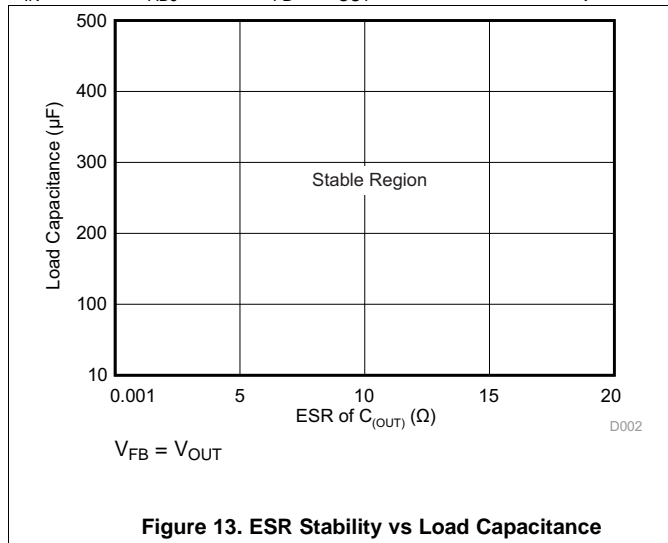


Figure 12. PSRR

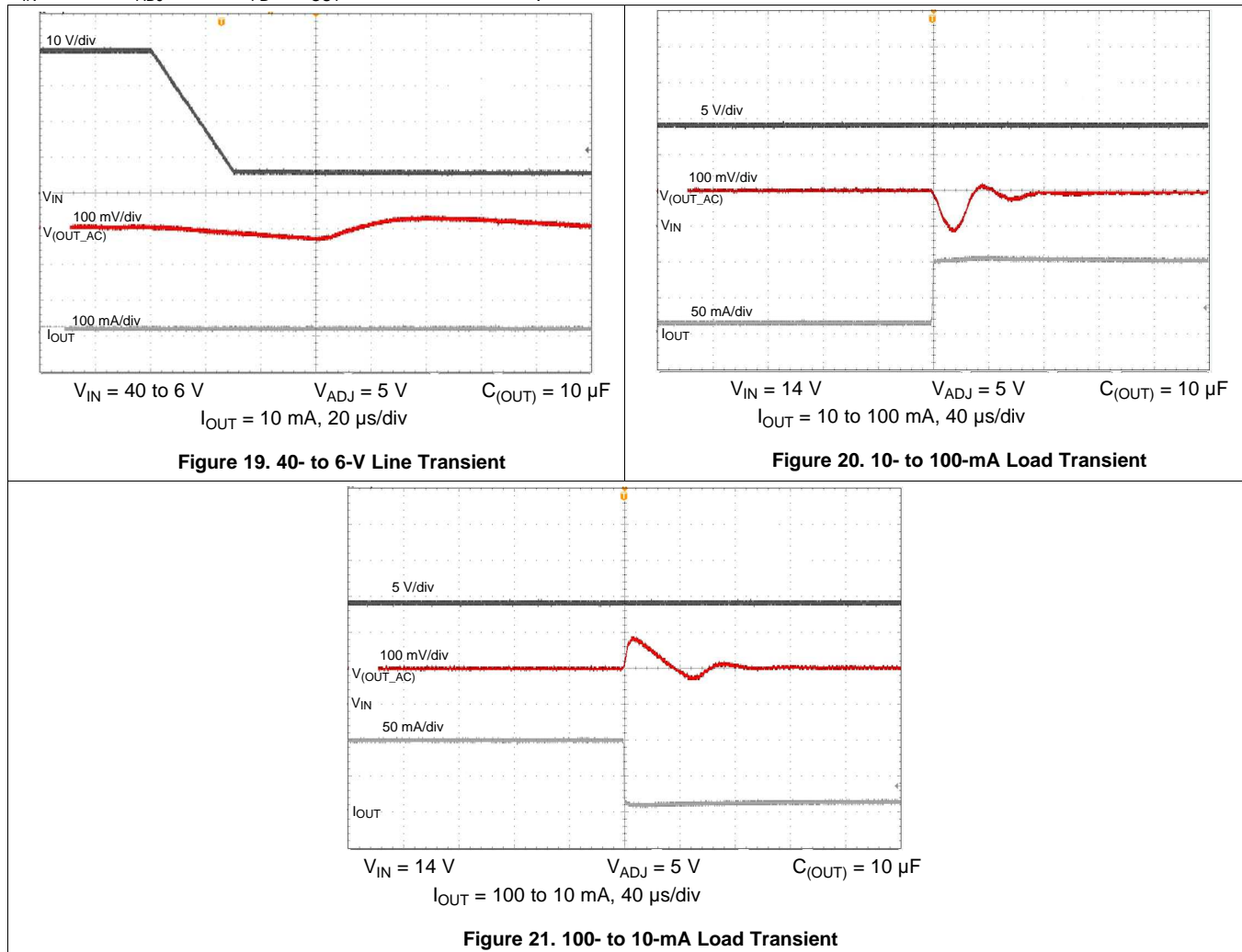
Typical Characteristics (continued)

$V_{IN} = 14\text{ V}$, $V_{ADJ} = 5\text{ V}$, $V_{FB} = V_{OUT}$, unless otherwise specified



Typical Characteristics (continued)

$V_{IN} = 14\text{ V}$, $V_{ADJ} = 5\text{ V}$, $V_{FB} = V_{OUT}$, unless otherwise specified

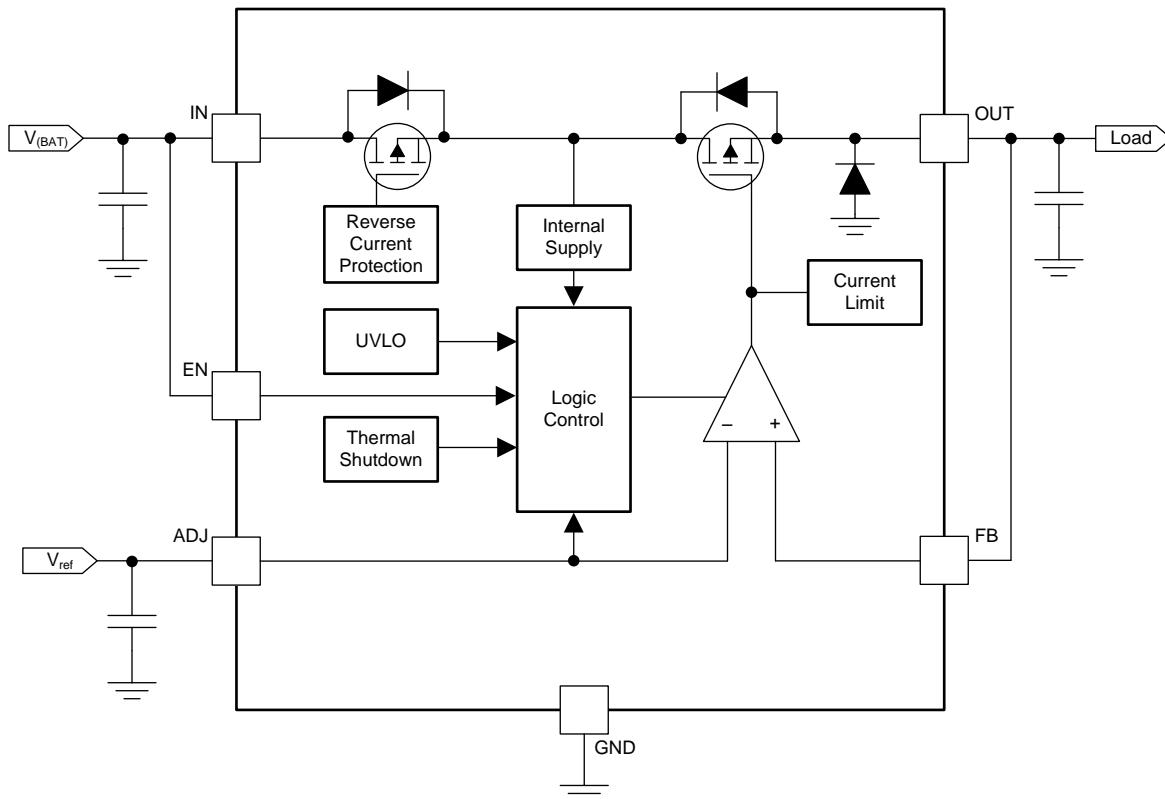


7 Detailed Description

7.1 Overview

The TPS7B4253-Q1 device is a monolithic integrated low-dropout voltage tracker with an ultralow tracking tolerance. Key protection circuits are integrated in the device, including output current limitation, reverse polarity protection, inductive load clamp, output short-to-battery protection, and thermal shutdown in case of an overtemperature event.

7.2 Functional Block Diagram



7.3 Feature Description

7.3.1 Short Circuit and Overcurrent Protection

The TPS7B4253-Q1 device features integrated fault protection which makes the device ideal for automotive applications. To keep the device in a safe area of operation during certain fault conditions, internal current-limit protection is used to limit the maximum output current. This protection protects the device from excessive power dissipation. For example, during a short-circuit condition on the output, the current through the pass element is limited to $I_{O(lim)}$ to protect the device from excessive power dissipation.

7.3.2 Integrated Inductive Clamp Protection

During output turnoff, the cable inductance continues to source the current from the output of the device. The device integrates an inductive clamp at the OUT pin to help to dissipate the inductive energy stored in the cable. An internal diode is connected between the OUT and GND pins with a DC-current capability of 600 mA for inductive clamp protection.

Feature Description (continued)

7.3.3 OUT Short to Battery and Reverse Polarity Protection

The TPS7B4253-Q1 device can withstand a short to battery when the output is shorted to the battery, as shown in Figure 22. Therefore, no damage to the device occurs.

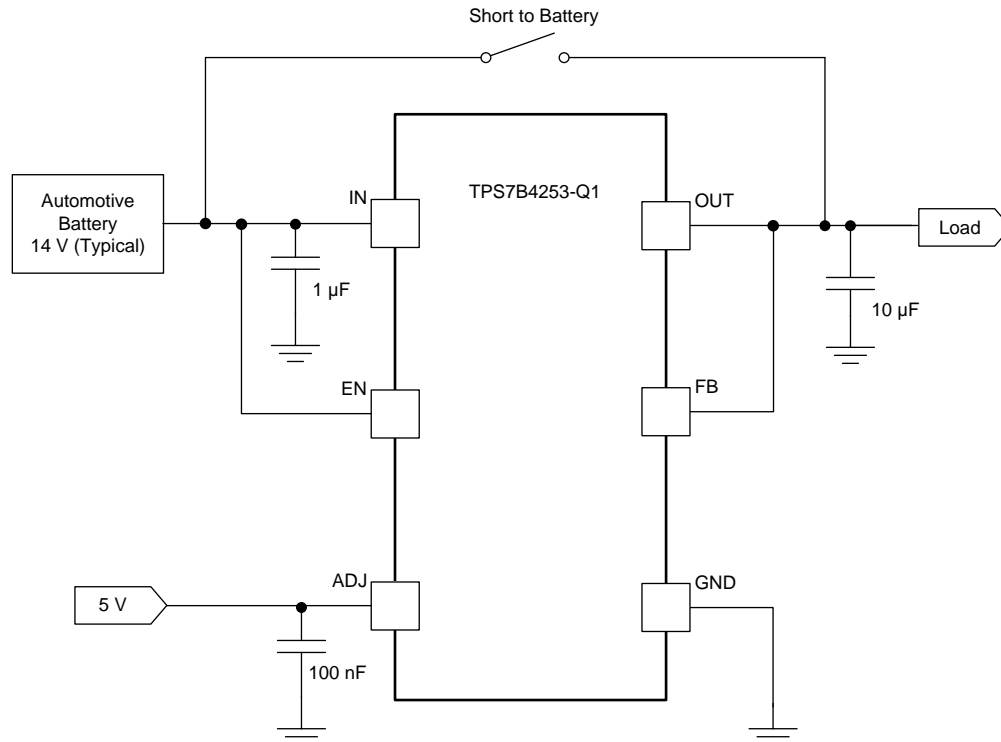
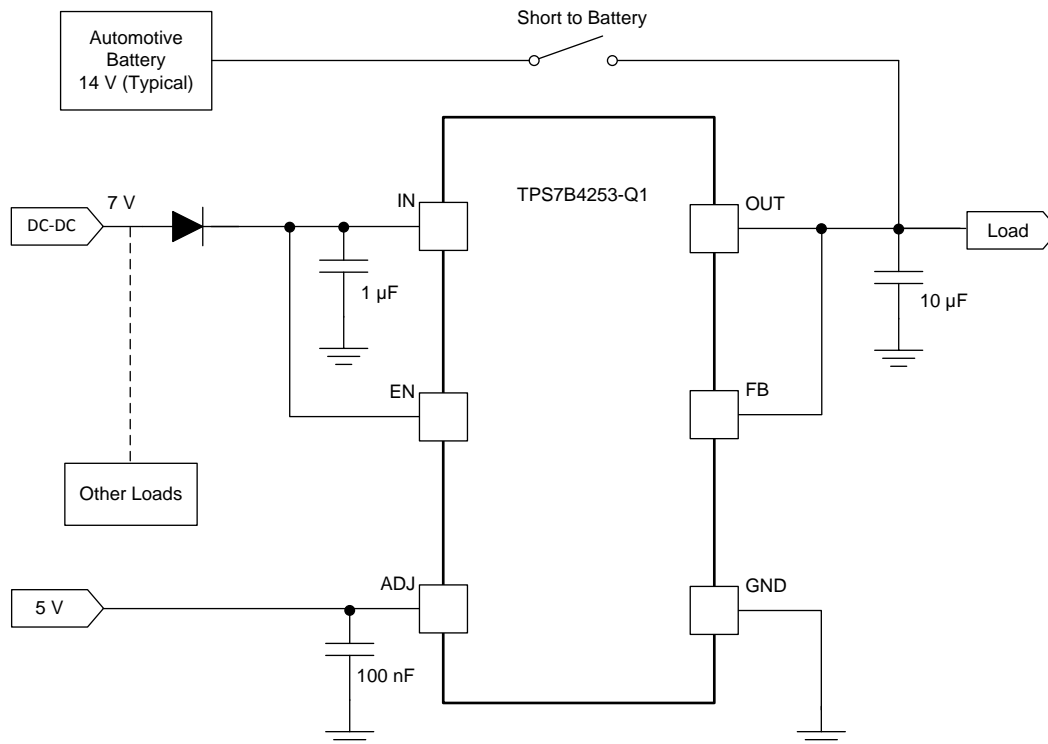


Figure 22. OUT Short to Battery, $V_{IN} = V_{(BAT)}$

A short to the battery can also occur when the device is powered by an isolated supply at lower voltage, as shown in Figure 23. In this case, the TPS7B4253-Q1 supply-input voltage is set to 7 V when a short to battery (14 V typical) occurs on the OUT pin which operates at 5 V. The internal back-to-back PMOS remains on for 1 ms during which the input voltage of the TPS7B4253-Q1 device charges up to the battery voltage. A diode connected between the output of the DC-DC converter and the input of the TPS7B4253-Q1 device is required in case the other loads connected behind the DC-DC converter cannot withstand the voltage of an automotive battery. To achieve a lower dropout voltage, TI recommends using a Schottky diode. This diode can be eliminated if the output of the DC-DC converter and the loads connect behind it withstand automotive battery voltage.

The internal back-to-back PMOS is switched to OFF when reverse polarity or short to battery occur for 1 ms. After that, the reverse current flows out through the IN pin with less than 10 μ A. In the meanwhile, a special ESD structure implemented at the input ensures the device can withstand -40 V.

Feature Description (continued)

Figure 23. OUT Short to Battery, $V_{IN} < V_{(BAT)}$

In most cases, the output of the TPS7B4253-Q1 device is shorted to the battery through an automotive cable. The parasitic inductance on the cable results in LC oscillation at the output of the TPS7B4253-Q1 device when the short to battery occurs. Ideally, the peak voltage at the output of the TPS7B4253-Q1 device should be lower than the absolute-maximum voltage rating (45 V) during LC oscillation.

7.3.4 Undervoltage Shutdown

The device has an internally fixed undervoltage-shutdown threshold. Undervoltage shutdown activates when the input voltage on IN drops below UVLO. This activation ensures the regulator is not latched into an unknown state during a low input-supply voltage. If the input voltage has a negative transient that drops below the UVLO threshold and then recovers, the regulator shuts down and then powers up with a standard power-up sequence when the input voltage is above the required levels.

7.3.5 Thermal Protection

The device incorporates a thermal shutdown (TSD) circuit as a protection from overheating. During continuous normal operation, the junction temperature should not exceed the TSD trip point. If the junction temperature exceeds the TSD trip point, the output turns off. When the junction temperature decreases to 15°C (typical) lower than the TSD trip point, the output turns on.

NOTE

The purpose of the design of the internal protection circuitry of the TPS7B4253-Q1 device is to protect against overload conditions and is not intended as a replacement for proper heat-sinking. Continuously running the device into thermal shutdown degrades device reliability.

Feature Description (continued)

7.3.6 Regulated Output (OUT)

The OUT pin is the regulated output based on the required voltage. The output has current limitation. During initial power up, the regulator has an incorporated soft-start feature to control the initial current through the pass element.

7.3.7 Enable (EN)

The EN pin is a high-voltage-tolerant pin. A high input on the EN pin activates the device and turns on the regulator. The device consumes a maximum of shutdown current 4 μA when the EN pin is low. The EN pin has a maximum internal pulldown of 5 μA .

7.3.8 Adjustable Output Voltage (FB and ADJ)

7.3.8.1 OUT Voltage Equal to the Reference Voltage

With the reference voltage applied directly at the ADJ pin and the FB pin connected to the OUT pin, the voltage at the OUT pin equals to the reference voltage at the ADJ pin, as shown in [Figure 24](#).

$$V_{\text{OUT}} = V_{\text{ADJ}} \quad (1)$$

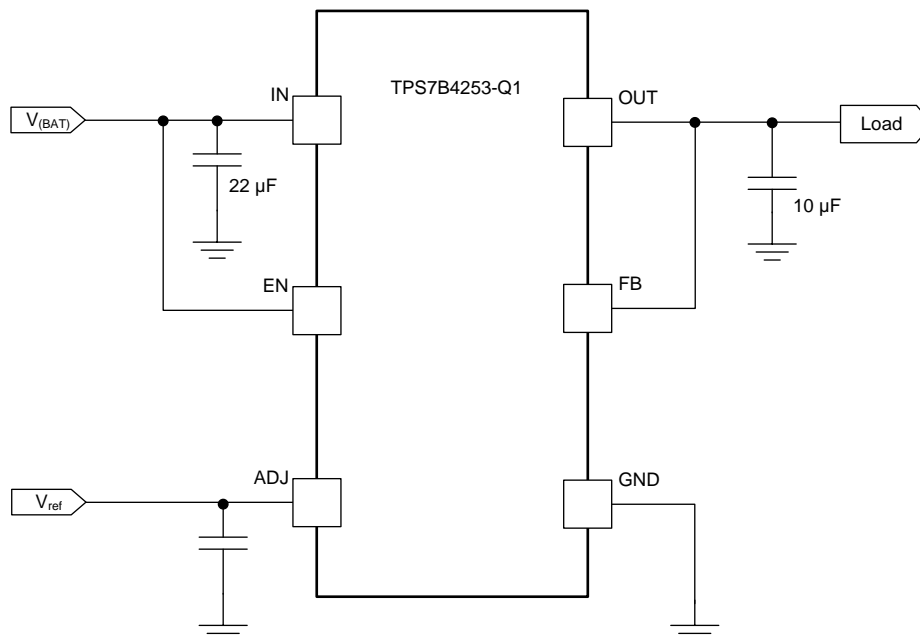
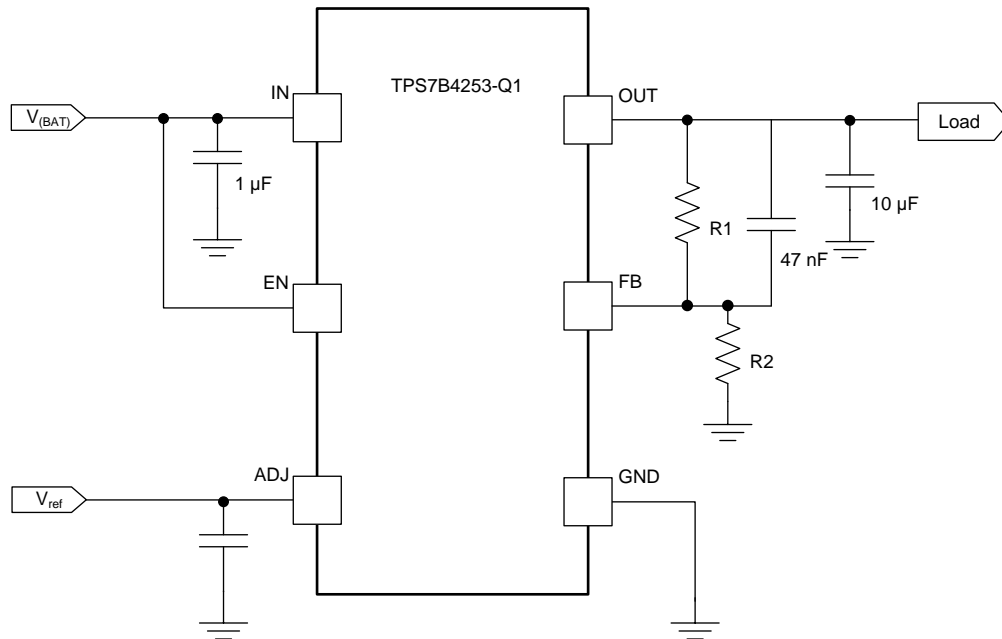


Figure 24. OUT Voltage Equal to the Reference Voltage

7.3.8.2 OUT Voltage Higher Than Reference Voltage

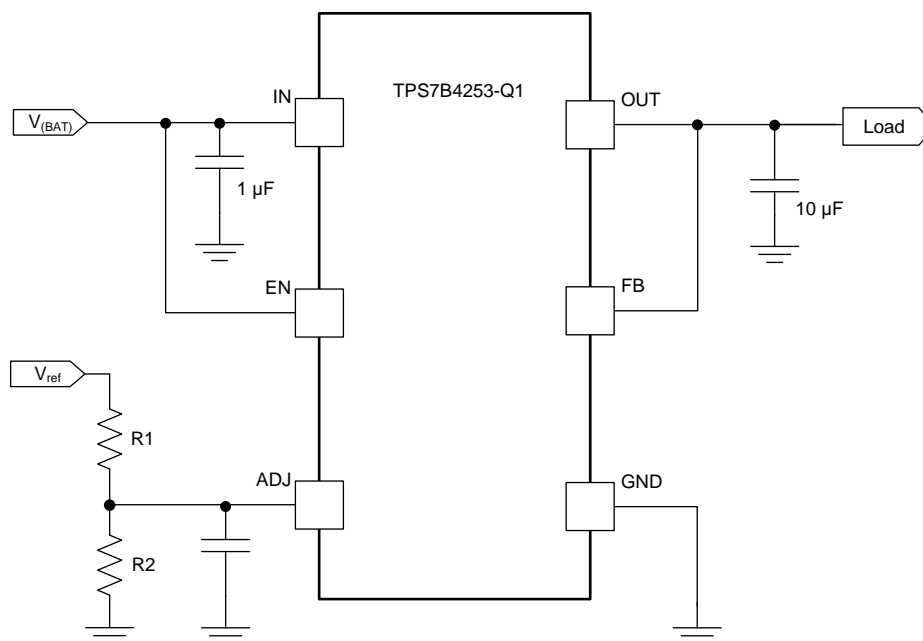
By using an external resistor divider connected between the OUT and FB pins, an output voltage higher than reference voltage can be generated as shown in [Figure 25](#). Use [Equation 2](#) to calculate the value of the output voltage. The recommended range for R1 and R2 is from 10 k Ω to 100 k Ω .

$$V_{\text{OUT}} = \frac{V_{\text{ADJ}} \times (R1 + R2)}{R2} \quad (2)$$

Feature Description (continued)

Figure 25. OUT Voltage Higher Than the Reference Voltage
7.3.8.3 Output Voltage Lower Than Reference Voltage

By using an external resistor divider connected at the ADJ pin, an output voltage lower than reference voltage can be generated as shown in [Figure 26](#). Use [Equation 3](#) to calculate the output voltage. The recommended value for both R1 and R2 is less than 100 kΩ.

$$V_{OUT} = \frac{V_{ref} \times R2}{R1 + R2} \quad (3)$$


Figure 26. OUT Voltage Lower Than the Reference Voltage

7.4 Device Functional Modes

7.4.1 Operation With $V_{IN} < 4\text{ V}$

The maximum UVLO voltage is 3.65 V, and the device generally operates at an input voltage above 4 V. The device can also operate at a lower input voltage; no minimum UVLO voltage is specified. At an input voltage below the actual UVLO voltage, the device does not operate.

7.4.2 Operation With EN Control

The enable rising edge threshold is 2 V (maximum). With the EN pin held above that voltage and the input voltage above 4 V, the device becomes active. The falling edge of the EN pin is 0.7 V (minimum). Holding the EN pin below that voltage disables the device, thus reducing the quiescent current of the device.

8 Application and Implementation

NOTE

Information in the following applications sections is not part of the TI component specification, and TI does not warrant its accuracy or completeness. TI's customers are responsible for determining suitability of components for their purposes. Customers should validate and test their design implementation to confirm system functionality.

8.1 Application Information

The TPS7B4253-Q1 device is a 300-mA low-dropout tracking regulator with ultralow tracking tolerance. The PSpice transient model is available for download on the product folder and can be used to evaluate the basic function of the device.

8.2 Typical Application

8.2.1 Application With Output Voltage Equal to the Reference Voltage

Figure 27 shows the typical application circuit for the TPS7B4253-Q1 device. Different values of external components can be used depending on the end application. An application may require a larger output capacitor during fast load steps to prevent a large drop on the output voltage. TI recommends using a low-ESR ceramic capacitor with a dielectric of type X5R or X7R.

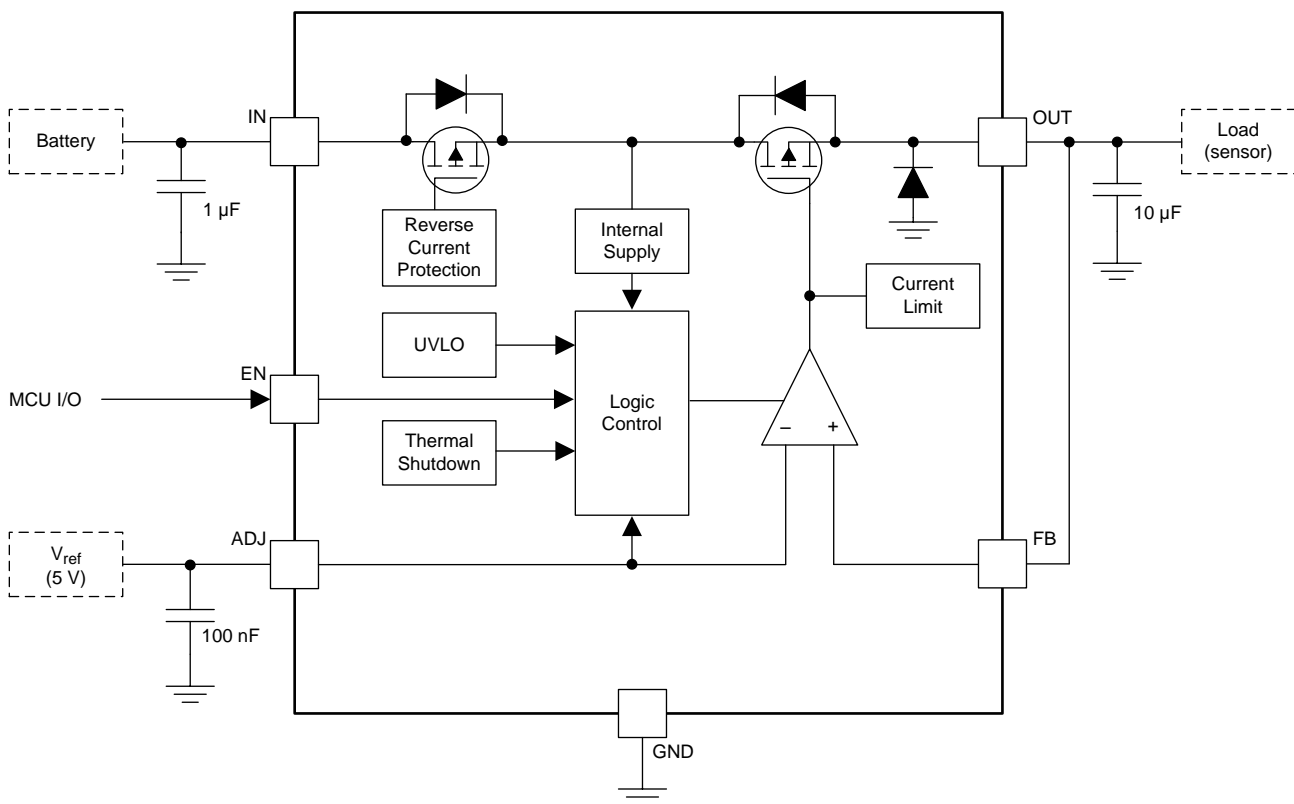


Figure 27. Output Voltage Equals the Reference Voltage

Typical Application (continued)

8.2.1.1 Design Requirements

For this design example, use the parameters listed in [Table 1](#) as the design parameters.

Table 1. Design Parameters

DESIGN PARAMETER	EXAMPLE VALUE
Input voltage	4 to 40 V
Output voltage	1.5 to 40 V
Enable voltage	2 to 40 V
ADJ voltage	1.5 to 18 V
Output capacitor	10 to 500 μ F
Output capacitor ESR range	0.001 to 20 Ω

8.2.1.2 Detailed Design Procedure

To begin the design process, determine the following:

- Input voltage range
- Output voltage
- Reference voltage
- Output current
- Current limit

8.2.1.2.1 Input Capacitor

The device requires an input decoupling capacitor, the value of which depends on the application. The typical recommended value for the decoupling capacitor is 2.2 μ F. The voltage rating must be greater than the maximum input voltage.

8.2.1.2.2 Output Capacitor

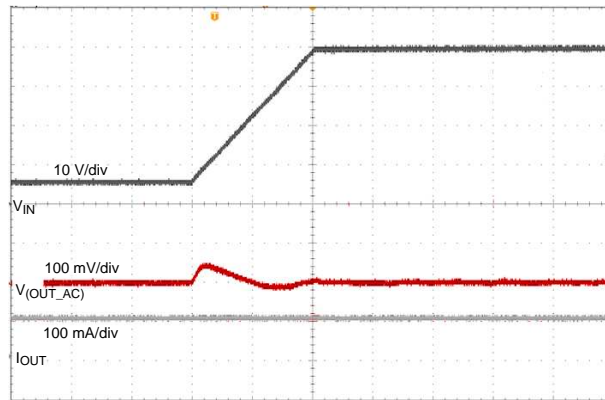
To ensure the stability of the TPS7B4253-Q1 device, the device requires an output capacitor with a value in the range from 10 μ F to 500 μ F and with an ESR range from 0.001 Ω to 20 Ω when the FB pin is directly connected to the OUT pin. TI recommends selecting a ceramic capacitor with low ESR to improve the load transient response.

To achieve an output voltage higher than the reference voltage, a resistor divider is connected between the OUT pin and the FB pin. In this case, a 47-nF feed forward capacitor must be connected between the OUT and FB pins for loop stability. The ESR of the output capacitor must be from 0.001 Ω to 10 Ω .

When multiple capacitors (two or more) are connected in parallel at the OUT pin, the ESR range of each output capacitor must be from 0.001 Ω to 3 Ω for loop stability.

In case the FB pin is shorted to ground, the TPS7B4253-Q1 device functions as a power switch with no need for the output capacitor.

8.2.1.3 Application Curves



$V_{IN} = 6 \text{ to } 40 \text{ V}$ $V_{ADJ} = 5 \text{ V}$ $C_{(OUT)} = 10 \mu\text{F}$
 $I_{OUT} = 100 \text{ mA}, 20 \mu\text{s/div}$

Figure 28. 6- to 40-V Line Transient

8.2.2 High-Side Switch Configuration

As shown in [Figure 29](#), by connecting the FB pin to the GND pin, the TPS7B4253-Q1 device can be used as a high-side switch with current-limit, thermal shutdown, output short-to-battery, and reverse polarity protection. The switching on and off of the device is then controlled through the EN and ADJ pins.

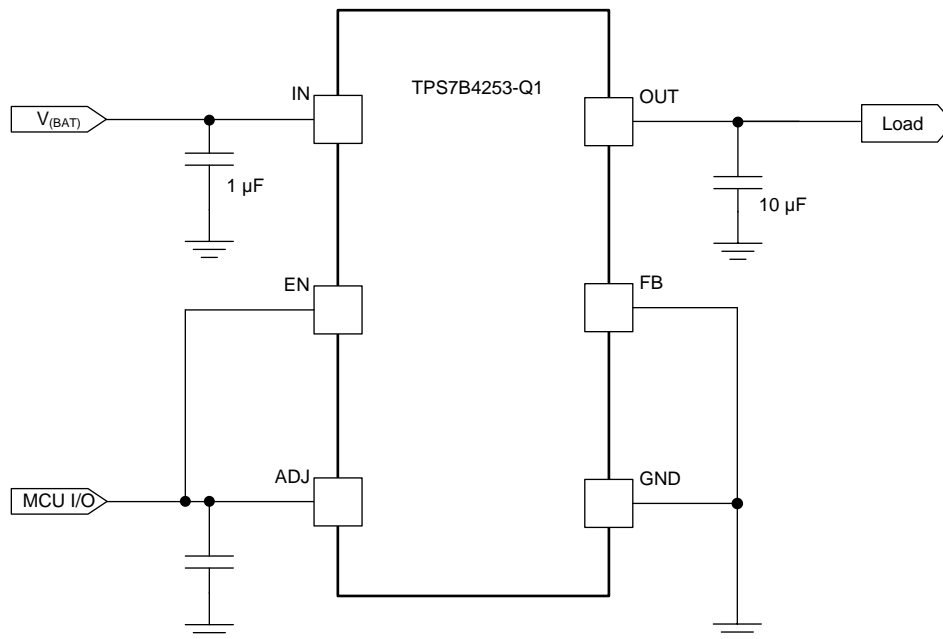


Figure 29. High-Side Switch Application

8.2.3 High Accuracy LDO

With an accurate voltage rail, the TPS7B4253-Q1 device can be used as an LDO with ultrahigh-accuracy output voltage by configuring the device as shown in Figure 30.

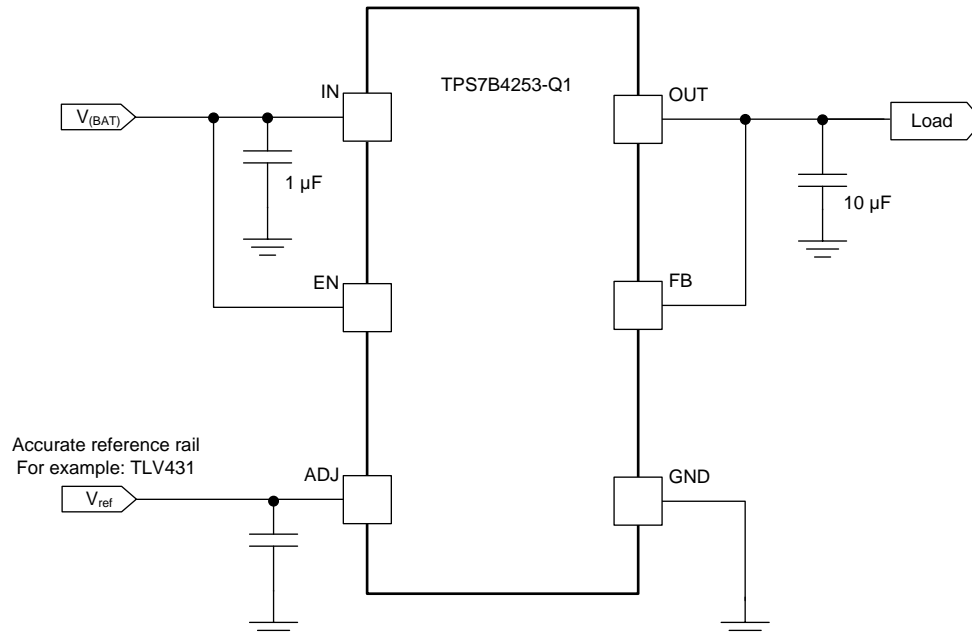


Figure 30. High-Accuracy LDO Application

For example, assume the reference voltage is a 5-V rail with 0.5% accuracy. Because the tracking accuracy between the ADJ and OUT pins is specified below 4 mV across temperature, the output accuracy of the TPS7B4253-Q1 device can be calculated with Equation 4.

$$\text{Accuracy of } V_{\text{OUT}} = \frac{V_{\text{ADJ}} \times 0.5\% + 4 \text{ mV}}{V_{\text{ADJ}}} \times 100\% = \frac{5 \times 0.5\% + 0.004}{5} \times 100\% = 0.58\% \quad (4)$$

9 Power Supply Recommendations

The device is designed to operate with an input voltage supply from 4 V to 40 V. This input supply must be well regulated. If the input supply is more than a few inches away from the TPS7B4253-Q1 device, TI recommends adding an electrolytic capacitor with a value of 2.2 µF and a ceramic bypass capacitor at the input.

10 Layout

10.1 Layout Guidelines

For the layout of the TPS7B4253-Q1 device, place the input and output capacitors close to the devices as shown in the [Functional Block Diagram](#). To enhance the thermal performance, TI recommends surrounding the device with some vias.

Minimize equivalent series inductance (ESL) and ESR to maximize performance and ensure stability. Place every capacitor as close as possible to the device and on the same side of the PCB as the regulator.

Do not place any of the capacitors on the opposite side of the PCB from where the regulator is installed. TI strongly discourages the use of vias and long traces for the path between the output capacitor and the OUT pins because vias can negatively impact system performance and even cause instability.

If possible, and to ensure the maximum performance specified in this data sheet, use the same layout pattern used for the TPS7B4253-Q1 evaluation board, TPS7B4253EVM, which is available at www.ti.com/tool/TPS7B4253EVM.

10.2 Layout Example

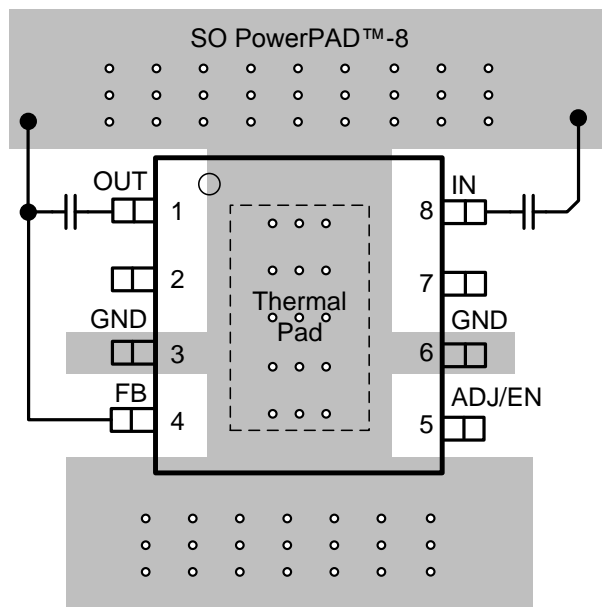


Figure 31. SO PowerPAD Package TPS7B4253-Q1 Layout Example

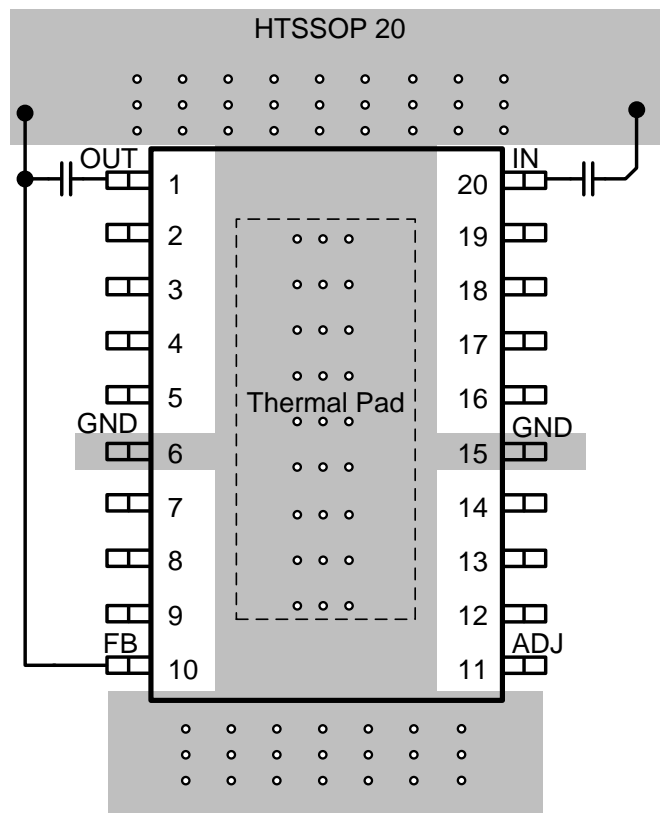


Figure 32. HTSSOP Package TPS7B4253-Q1 Layout Example

10.3 Power Dissipation and Thermal Considerations

Use [Equation 5](#) to calculate the device power dissipation.

$$P_D = I_O \times (V_I - V_O) + I_Q \times V_I$$

where

- P_D = continuous power dissipation
- I_O = output current
- V_I = input voltage
- V_O = output voltage
- I_Q = quiescent current

(5)

As $I_Q \ll I_O$, the term $I_Q \times V_I$ in [Equation 5](#) can be ignored.

For a device under operation at a given ambient air temperature (T_A), calculate the junction temperature (T_J) with [Equation 6](#).

$$T_J = T_A + (\theta_{JA} \times P_D)$$

where

- θ_{JA} = junction-to-junction-ambient air thermal impedance

(6)

A rise in junction temperature because of power dissipation can be calculated with [Equation 7](#).

$$\Delta T = T_J - T_A = (\theta_{JA} \times P_D)$$

(7)

For a given maximum junction temperature (T_{Jmax}), the maximum ambient air temperature (T_{Amax}) at which the device can operate can be calculated with [Equation 8](#).

$$T_{Amax} = T_{Jmax} - (\theta_{JA} \times P_D)$$

(8)

11 Device and Documentation Support

11.1 Device Support

11.1.1 Development Support

For the TPS7B4253 PSpice Transient Model, go to www.ti.com/product/TPS7B4253-Q1/toolsoftware.

11.2 Documentation Support

11.2.1 Related Documentation

For related documentation see the following:

TPS7B4253-Q1 Evaluation Module, [SLVUAE3](#)

11.3 Community Resource

The following links connect to TI community resources. Linked contents are provided "AS IS" by the respective contributors. They do not constitute TI specifications and do not necessarily reflect TI's views; see TI's [Terms of Use](#).

TI E2E™ Online Community *TI's Engineer-to-Engineer (E2E) Community*. Created to foster collaboration among engineers. At e2e.ti.com, you can ask questions, share knowledge, explore ideas and help solve problems with fellow engineers.

Design Support *TI's Design Support* Quickly find helpful E2E forums along with design support tools and contact information for technical support.

11.4 Trademarks

PowerPAD, E2E are trademarks of Texas Instruments.
All other trademarks are the property of their respective owners.

11.5 Electrostatic Discharge Caution



These devices have limited built-in ESD protection. The leads should be shorted together or the device placed in conductive foam during storage or handling to prevent electrostatic damage to the MOS gates.

11.6 Glossary

[SLYZ022](#) — *TI Glossary*.

This glossary lists and explains terms, acronyms, and definitions.

12 Mechanical, Packaging, and Orderable Information

The following pages include mechanical, packaging, and orderable information. This information is the most current data available for the designated devices. This data is subject to change without notice and revision of this document. For browser-based versions of this data sheet, refer to the left-hand navigation.

PACKAGING INFORMATION

Orderable Device	Status (1)	Package Type	Package Drawing	Pins	Package Qty	Eco Plan (2)	Lead/Ball Finish (6)	MSL Peak Temp (3)	Op Temp (°C)	Device Marking (4/5)	Samples
TPS7B4253QDDARQ1	PREVIEW	SO PowerPAD	DDA	8	2500	TBD	Call TI	Call TI	-40 to 125		
TPS7B4253QPWPRQ1	ACTIVE	HTSSOP	PWP	20	2000	Green (RoHS & no Sb/Br)	CU NIPDAU	Level-3-260C-168 HR	-40 to 125	7B4253Q	Samples

(1) The marketing status values are defined as follows:

ACTIVE: Product device recommended for new designs.

LIFEBUY: TI has announced that the device will be discontinued, and a lifetime-buy period is in effect.

NRND: Not recommended for new designs. Device is in production to support existing customers, but TI does not recommend using this part in a new design.

PREVIEW: Device has been announced but is not in production. Samples may or may not be available.

OBSELETE: TI has discontinued the production of the device.

(2) Eco Plan - The planned eco-friendly classification: Pb-Free (RoHS), Pb-Free (RoHS Exempt), or Green (RoHS & no Sb/Br) - please check <http://www.ti.com/productcontent> for the latest availability information and additional product content details.

TBD: The Pb-Free/Green conversion plan has not been defined.

Pb-Free (RoHS): TI's terms "Lead-Free" or "Pb-Free" mean semiconductor products that are compatible with the current RoHS requirements for all 6 substances, including the requirement that lead not exceed 0.1% by weight in homogeneous materials. Where designed to be soldered at high temperatures, TI Pb-Free products are suitable for use in specified lead-free processes.

Pb-Free (RoHS Exempt): This component has a RoHS exemption for either 1) lead-based flip-chip solder bumps used between the die and package, or 2) lead-based die adhesive used between the die and leadframe. The component is otherwise considered Pb-Free (RoHS compatible) as defined above.

Green (RoHS & no Sb/Br): TI defines "Green" to mean Pb-Free (RoHS compatible), and free of Bromine (Br) and Antimony (Sb) based flame retardants (Br or Sb do not exceed 0.1% by weight in homogeneous material)

(3) MSL, Peak Temp. - The Moisture Sensitivity Level rating according to the JEDEC industry standard classifications, and peak solder temperature.

(4) There may be additional marking, which relates to the logo, the lot trace code information, or the environmental category on the device.

(5) Multiple Device Markings will be inside parentheses. Only one Device Marking contained in parentheses and separated by a "~" will appear on a device. If a line is indented then it is a continuation of the previous line and the two combined represent the entire Device Marking for that device.

(6) Lead/Ball Finish - Orderable Devices may have multiple material finish options. Finish options are separated by a vertical ruled line. Lead/Ball Finish values may wrap to two lines if the finish value exceeds the maximum column width.

Important Information and Disclaimer: The information provided on this page represents TI's knowledge and belief as of the date that it is provided. TI bases its knowledge and belief on information provided by third parties, and makes no representation or warranty as to the accuracy of such information. Efforts are underway to better integrate information from third parties. TI has taken and continues to take reasonable steps to provide representative and accurate information but may not have conducted destructive testing or chemical analysis on incoming materials and chemicals. TI and TI suppliers consider certain information to be proprietary, and thus CAS numbers and other limited information may not be available for release.

In no event shall TI's liability arising out of such information exceed the total purchase price of the TI part(s) at issue in this document sold by TI to Customer on an annual basis.

TAPE AND REEL INFORMATION

QUADRANT ASSIGNMENTS FOR PIN 1 ORIENTATION IN TAPE


*All dimensions are nominal

Device	Package Type	Package Drawing	Pins	SPQ	Reel Diameter (mm)	Reel Width W1 (mm)	A0 (mm)	B0 (mm)	K0 (mm)	P1 (mm)	W (mm)	Pin1 Quadrant
TPS7B4253QPWPRQ1	HTSSOP	PWP	20	2000	330.0	16.4	6.95	7.1	1.6	8.0	16.0	Q1

TAPE AND REEL BOX DIMENSIONS



*All dimensions are nominal

Device	Package Type	Package Drawing	Pins	SPQ	Length (mm)	Width (mm)	Height (mm)
TPS7B4253QPWRQ1	HTSSOP	PWP	20	2000	367.0	367.0	38.0

MECHANICAL DATA

PWP (R-PDSO-G20)

PowerPAD™ PLASTIC SMALL OUTLINE



4073225-4/1 05/11

- NOTES:
- All linear dimensions are in millimeters.
 - This drawing is subject to change without notice.
 - Body dimensions do not include mold flash or protrusions. Mold flash and protrusion shall not exceed 0.15 per side.
 - This package is designed to be soldered to a thermal pad on the board. Refer to Technical Brief, PowerPad Thermally Enhanced Package, Texas Instruments Literature No. SLMA002 for information regarding recommended board layout. This document is available at www.ti.com <<http://www.ti.com>>.
 - See the additional figure in the Product Data Sheet for details regarding the exposed thermal pad features and dimensions.
 - Falls within JEDEC MO-153

PowerPAD is a trademark of Texas Instruments.

THERMAL PAD MECHANICAL DATA

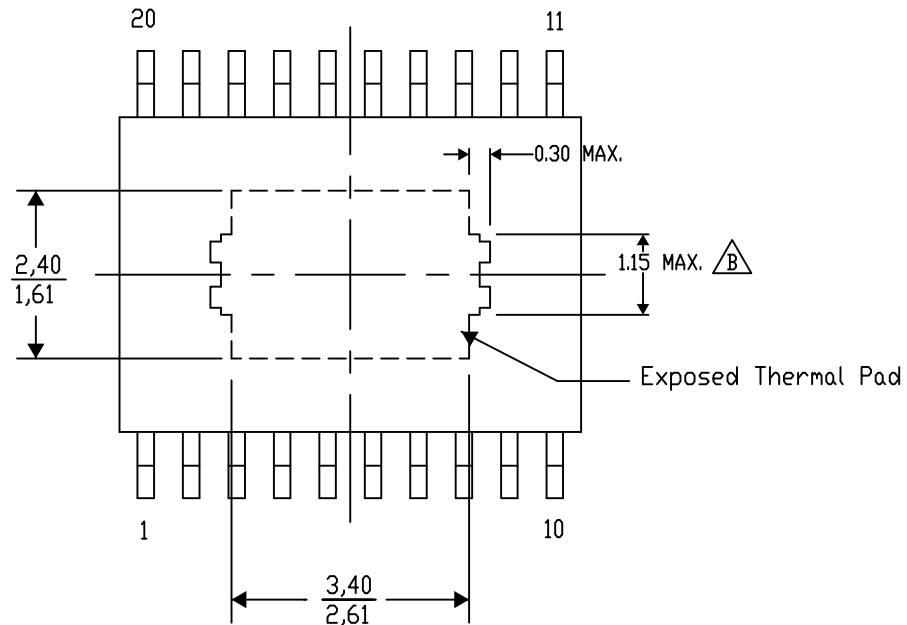
PWP (R-PDSO-G20) PowerPAD™ SMALL PLASTIC OUTLINE

THERMAL INFORMATION

This PowerPAD™ package incorporates an exposed thermal pad that is designed to be attached to a printed circuit board (PCB). The thermal pad must be soldered directly to the PCB. After soldering, the PCB can be used as a heatsink. In addition, through the use of thermal vias, the thermal pad can be attached directly to the appropriate copper plane shown in the electrical schematic for the device, or alternatively, can be attached to a special heatsink structure designed into the PCB. This design optimizes the heat transfer from the integrated circuit (IC).

For additional information on the PowerPAD package and how to take advantage of its heat dissipating abilities, refer to Technical Brief, PowerPAD Thermally Enhanced Package, Texas Instruments Literature No. SLMA002 and Application Brief, PowerPAD Made Easy, Texas Instruments Literature No. SLMA004. Both documents are available at www.ti.com.

The exposed thermal pad dimensions for this package are shown in the following illustration.



Top View

Exposed Thermal Pad Dimensions

4206332-15/AM 09/15

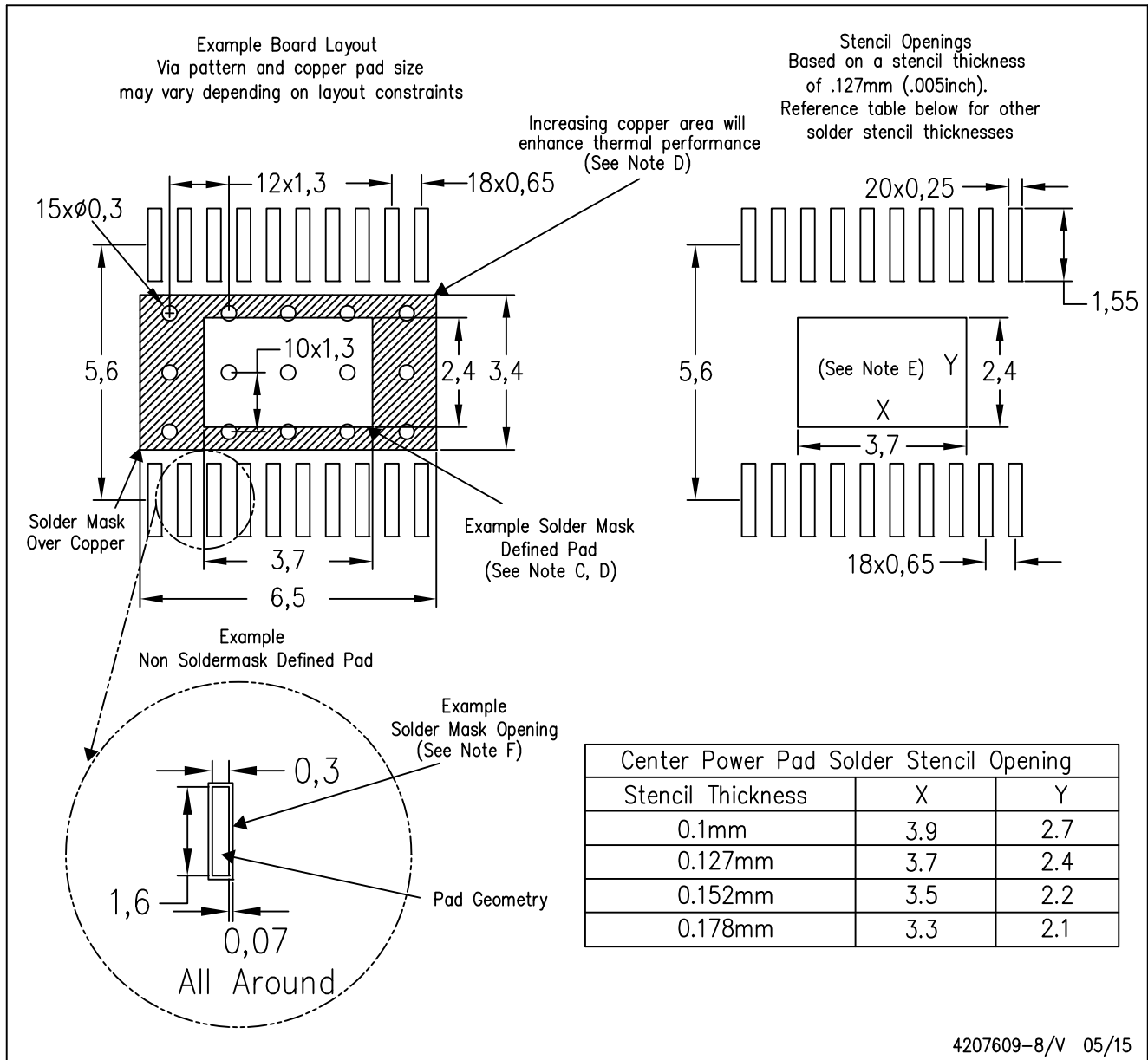
NOTE: A. All linear dimensions are in millimeters

 Exposed tie strap features may not be present.

PowerPAD is a trademark of Texas Instruments

PWP (R-PDSO-G20)

PowerPAD™ PLASTIC SMALL OUTLINE



- NOTES:
- A. All linear dimensions are in millimeters.
 - B. This drawing is subject to change without notice.
 - C. Customers should place a note on the circuit board fabrication drawing not to alter the center solder mask defined pad.
 - D. This package is designed to be soldered to a thermal pad on the board. Refer to Technical Brief, PowerPad Thermally Enhanced Package, Texas Instruments Literature No. SLMA002, SLMA004, and also the Product Data Sheets for specific thermal information, via requirements, and recommended board layout. These documents are available at www.ti.com <<http://www.ti.com>>. Publication IPC-7351 is recommended for alternate designs.
 - E. Laser cutting apertures with trapezoidal walls and also rounding corners will offer better paste release. Customers should contact their board assembly site for stencil design recommendations. Example stencil design based on a 50% volumetric metal load solder paste. Refer to IPC-7525 for other stencil recommendations.
 - F. Customers should contact their board fabrication site for solder mask tolerances between and around signal pads.

DDA (R-PDSO-G8)

PowerPAD™ PLASTIC SMALL-OUTLINE



4202561/F 12/11

- NOTES:
- A. All linear dimensions are in millimeters. Dimensioning and tolerancing per ASME Y14.5-1994.
 - B. This drawing is subject to change without notice.
 - C. Body dimensions do not include mold flash or protrusion not to exceed 0,15.
 - D. This package is designed to be soldered to a thermal pad on the board. Refer to Technical Brief, PowerPad Thermally Enhanced Package, Texas Instruments Literature No. SLMA002 for information regarding recommended board layout. This document is available at www.ti.com <<http://www.ti.com>>.
 - E. See the additional figure in the Product Data Sheet for details regarding the exposed thermal pad features and dimensions.
 - F. This package complies to JEDEC MS-012 variation BA

PowerPAD is a trademark of Texas Instruments.

IMPORTANT NOTICE

Texas Instruments Incorporated and its subsidiaries (TI) reserve the right to make corrections, enhancements, improvements and other changes to its semiconductor products and services per JESD46, latest issue, and to discontinue any product or service per JESD48, latest issue. Buyers should obtain the latest relevant information before placing orders and should verify that such information is current and complete. All semiconductor products (also referred to herein as "components") are sold subject to TI's terms and conditions of sale supplied at the time of order acknowledgment.

TI warrants performance of its components to the specifications applicable at the time of sale, in accordance with the warranty in TI's terms and conditions of sale of semiconductor products. Testing and other quality control techniques are used to the extent TI deems necessary to support this warranty. Except where mandated by applicable law, testing of all parameters of each component is not necessarily performed.

TI assumes no liability for applications assistance or the design of Buyers' products. Buyers are responsible for their products and applications using TI components. To minimize the risks associated with Buyers' products and applications, Buyers should provide adequate design and operating safeguards.

TI does not warrant or represent that any license, either express or implied, is granted under any patent right, copyright, mask work right, or other intellectual property right relating to any combination, machine, or process in which TI components or services are used. Information published by TI regarding third-party products or services does not constitute a license to use such products or services or a warranty or endorsement thereof. Use of such information may require a license from a third party under the patents or other intellectual property of the third party, or a license from TI under the patents or other intellectual property of TI.

Reproduction of significant portions of TI information in TI data books or data sheets is permissible only if reproduction is without alteration and is accompanied by all associated warranties, conditions, limitations, and notices. TI is not responsible or liable for such altered documentation. Information of third parties may be subject to additional restrictions.

Resale of TI components or services with statements different from or beyond the parameters stated by TI for that component or service voids all express and any implied warranties for the associated TI component or service and is an unfair and deceptive business practice. TI is not responsible or liable for any such statements.

Buyer acknowledges and agrees that it is solely responsible for compliance with all legal, regulatory and safety-related requirements concerning its products, and any use of TI components in its applications, notwithstanding any applications-related information or support that may be provided by TI. Buyer represents and agrees that it has all the necessary expertise to create and implement safeguards which anticipate dangerous consequences of failures, monitor failures and their consequences, lessen the likelihood of failures that might cause harm and take appropriate remedial actions. Buyer will fully indemnify TI and its representatives against any damages arising out of the use of any TI components in safety-critical applications.

In some cases, TI components may be promoted specifically to facilitate safety-related applications. With such components, TI's goal is to help enable customers to design and create their own end-product solutions that meet applicable functional safety standards and requirements. Nonetheless, such components are subject to these terms.

No TI components are authorized for use in FDA Class III (or similar life-critical medical equipment) unless authorized officers of the parties have executed a special agreement specifically governing such use.

Only those TI components which TI has specifically designated as military grade or "enhanced plastic" are designed and intended for use in military/aerospace applications or environments. Buyer acknowledges and agrees that any military or aerospace use of TI components which have **not** been so designated is solely at the Buyer's risk, and that Buyer is solely responsible for compliance with all legal and regulatory requirements in connection with such use.

TI has specifically designated certain components as meeting ISO/TS16949 requirements, mainly for automotive use. In any case of use of non-designated products, TI will not be responsible for any failure to meet ISO/TS16949.

Products

Audio	www.ti.com/audio
Amplifiers	amplifier.ti.com
Data Converters	dataconverter.ti.com
DLP® Products	www.dlp.com
DSP	dsp.ti.com
Clocks and Timers	www.ti.com/clocks
Interface	interface.ti.com
Logic	logic.ti.com
Power Mgmt	power.ti.com
Microcontrollers	microcontroller.ti.com
RFID	www.ti-rfid.com
OMAP Applications Processors	www.ti.com/omap
Wireless Connectivity	www.ti.com/wirelessconnectivity

Applications

Automotive and Transportation	www.ti.com/automotive
Communications and Telecom	www.ti.com/communications
Computers and Peripherals	www.ti.com/computers
Consumer Electronics	www.ti.com/consumer-apps
Energy and Lighting	www.ti.com/energy
Industrial	www.ti.com/industrial
Medical	www.ti.com/medical
Security	www.ti.com/security
Space, Avionics and Defense	www.ti.com/space-avionics-defense
Video and Imaging	www.ti.com/video

TI E2E Community

e2e.ti.com