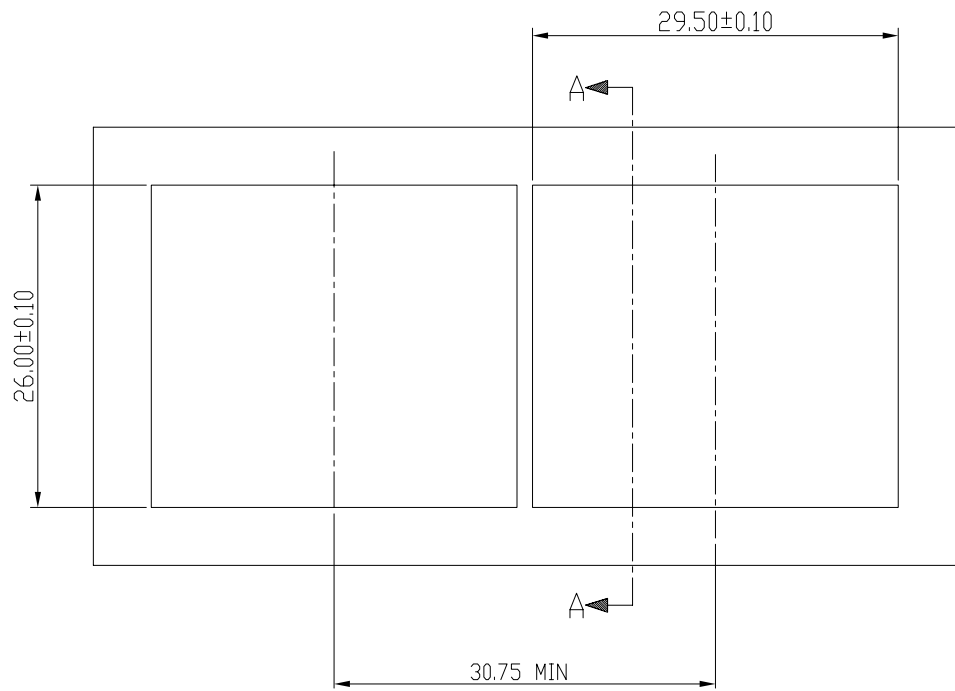


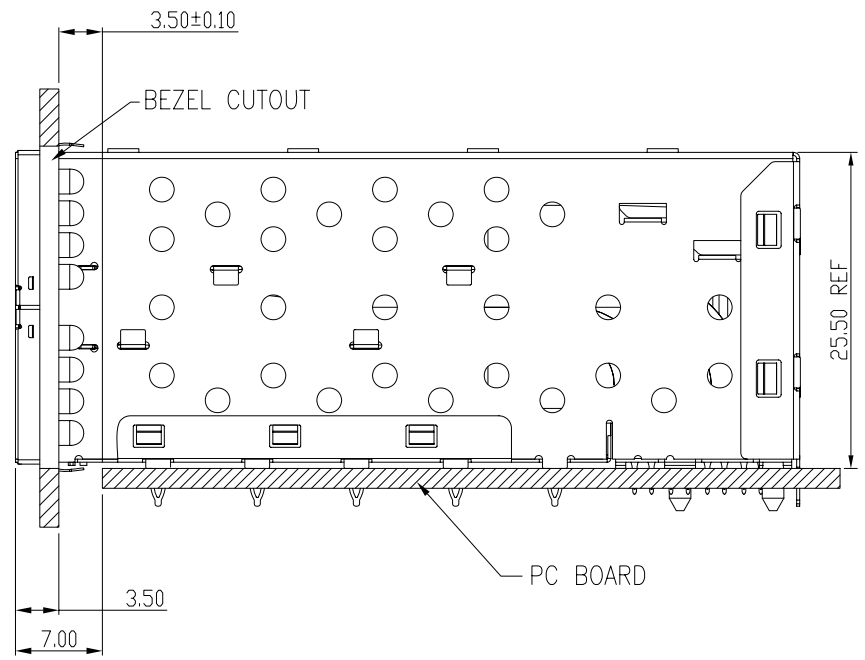
| Qty Per:    | TRAY                | CARTON |                        |         |
|-------------|---------------------|--------|------------------------|---------|
|             | 12                  | 72     |                        |         |
| PART NUMBER | STATEMENT           |        |                        |         |
| SFPP-3131-L | INNER LIGHT PIPES   |        |                        |         |
| No.         | DESCRIPTION         | Q'ty   | MATERIAL               | PLATING |
| 01          | SFP CAGE (Non-Logo) | 1      | COPPER ALLOY           |         |
| 02          | CONNECTOR           | 2      | HIGH TEMP/COPPER ALLOY | GOLD    |
| 03          | LIGHT PIPES         | 2      | POLYCARBONITE          |         |
| 04          | EMI TAB             | 2      | COPPER ALLOY           |         |

|                        |   |                                  |                                      |          |
|------------------------|---|----------------------------------|--------------------------------------|----------|
| DETACHED LISTS         | MM (INCH)   | <b>RoHS Compliant</b>            | <b>Pulse</b><br>A TECHNITROL COMPANY |          |
|                        | TOLERANCES EXCEPT AS NOTED                        | TITLE W/LIGHT PIPES&EMI TAB      |                                      |          |
|                        | MM<br>.0 ± 0.25 ±<br>.00 ± 0.2 ±<br>.000 ± 0.10 ± | SFP PLUS 2 BY 2 CAGE+CONNECTOR_P |                                      |          |
|                        | ANGLES ± 0.5                                      | DFTD Jack                        | DRAWING NO. CSFPP-3131-L             | SIZE REV |
| THIRD ANGLE PROJECTION | DATE 6/09/09'                                     | /PART NO. SFPP-3131-L            | A3                                   | 0        |
|                        | SCALE : 2:1                                       | DO NOT SCALE DRAWING             | SHEET 1                              | OF 4     |

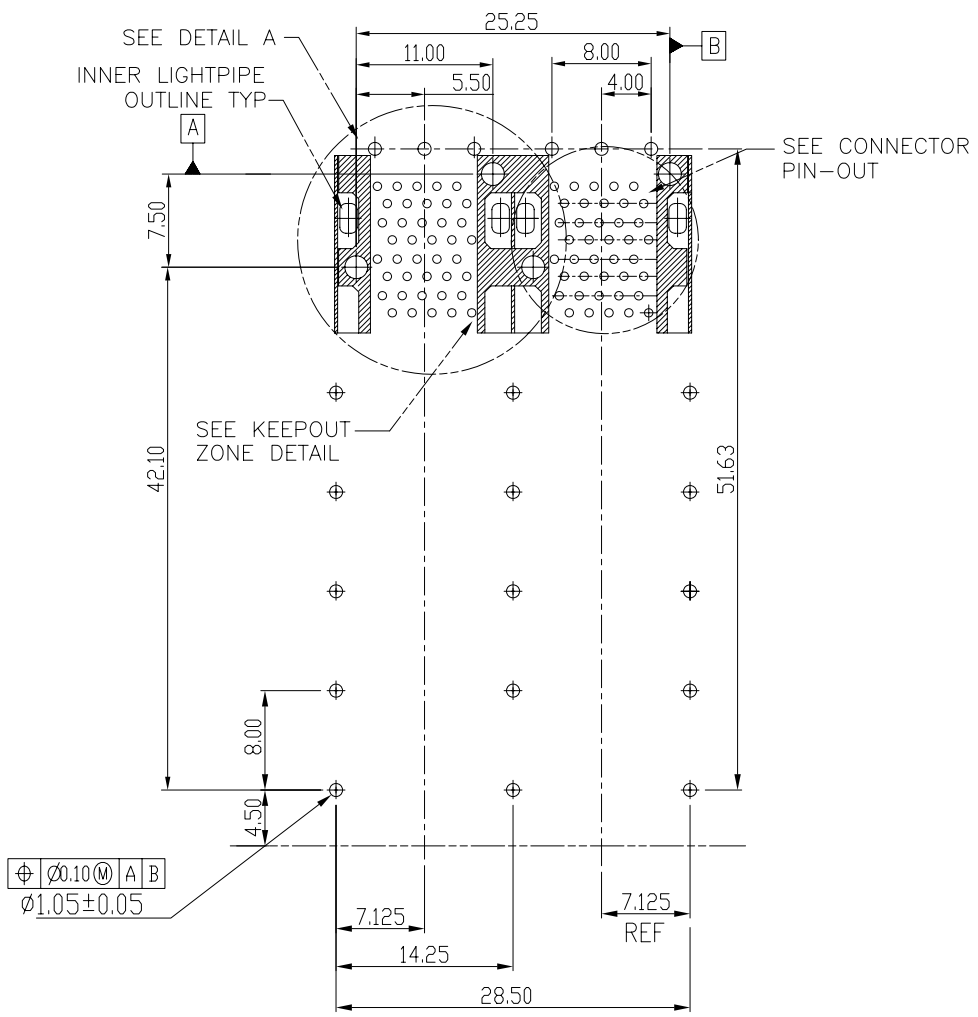
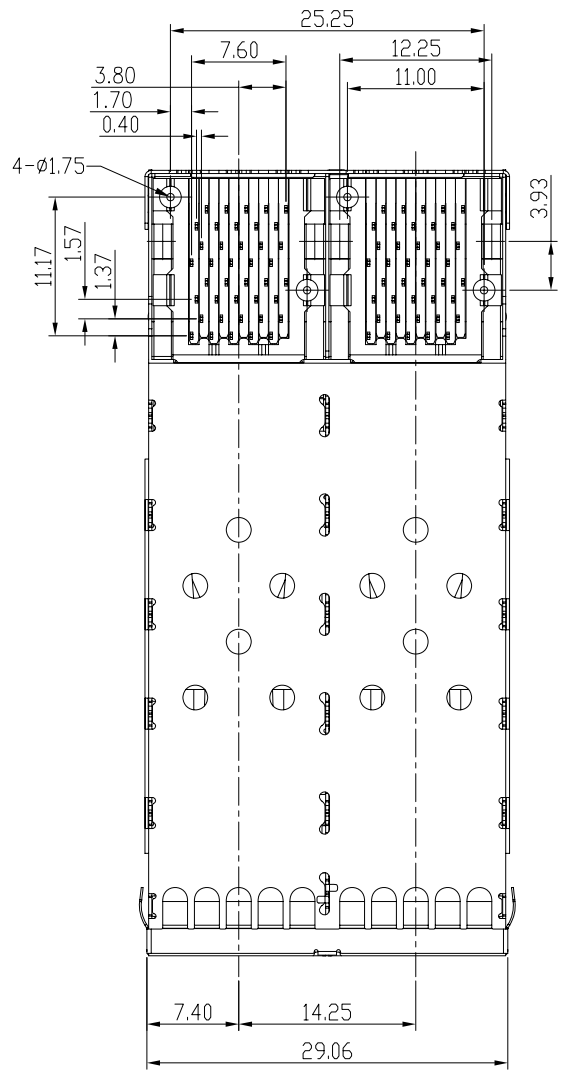
8 | 7 | 6 | 5 | 4 | 3 | 2 | 1



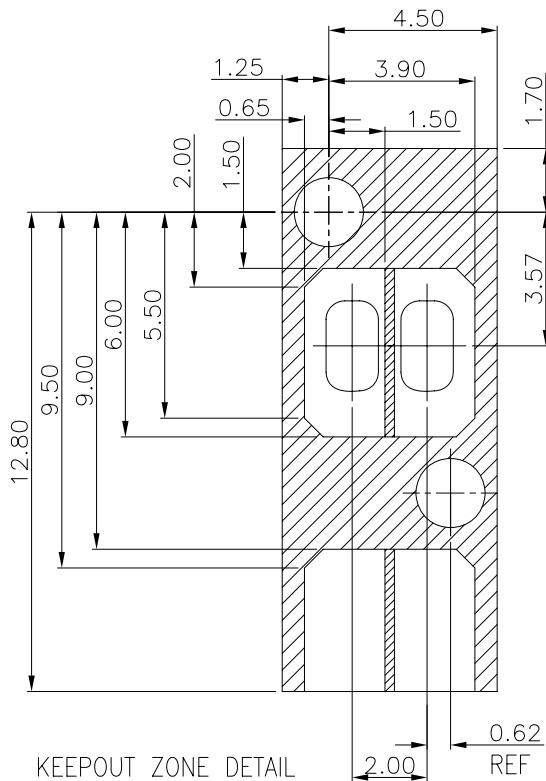
BEZEL CUT-OUT CENTER SPACING DETAIL  
 BEZEL THICKNESS:0.8-2.6



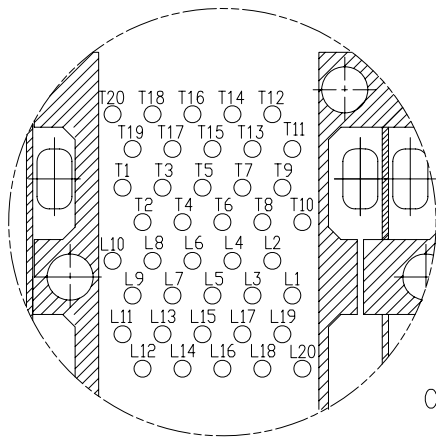
|                            |                            |                       |                             |                          |  |  |
|----------------------------|----------------------------|-----------------------|-----------------------------|--------------------------|--|--|
| DETACHED LISTS             | MM<br>(INCH)               | <b>RoHS Compliant</b> |                             |                          |  |  |
|                            | TOLERANCES EXCEPT AS NOTED |                       | TITLE                       |                          |  |  |
|                            | MM                         |                       | W/LIGHT PIPES&EMI TAB       |                          |  |  |
|                            | .0 ± 0.25                  | ±                     | SFP 2 BY 2 CAGE+CONNECTOR_P |                          |  |  |
| .00 ± 0.2                  | ±                          | DFTD Jack             |                             | DRAWING NO. CSFPP-3131-L |  |  |
| .000 ± 0.10                | ±                          | DATE 6/09/09'         |                             | /PART NO. SFPP-3131-L    |  |  |
| ANGLES ± 0.5               |                            | SCALE : 2:1           |                             | DO NOT SCALE DRAWING     |  |  |
| <br>THIRD ANGLE PROJECTION |                            | SHEET 2               |                             | REV 0                    |  |  |
|                            |                            | OF 4                  |                             |                          |  |  |



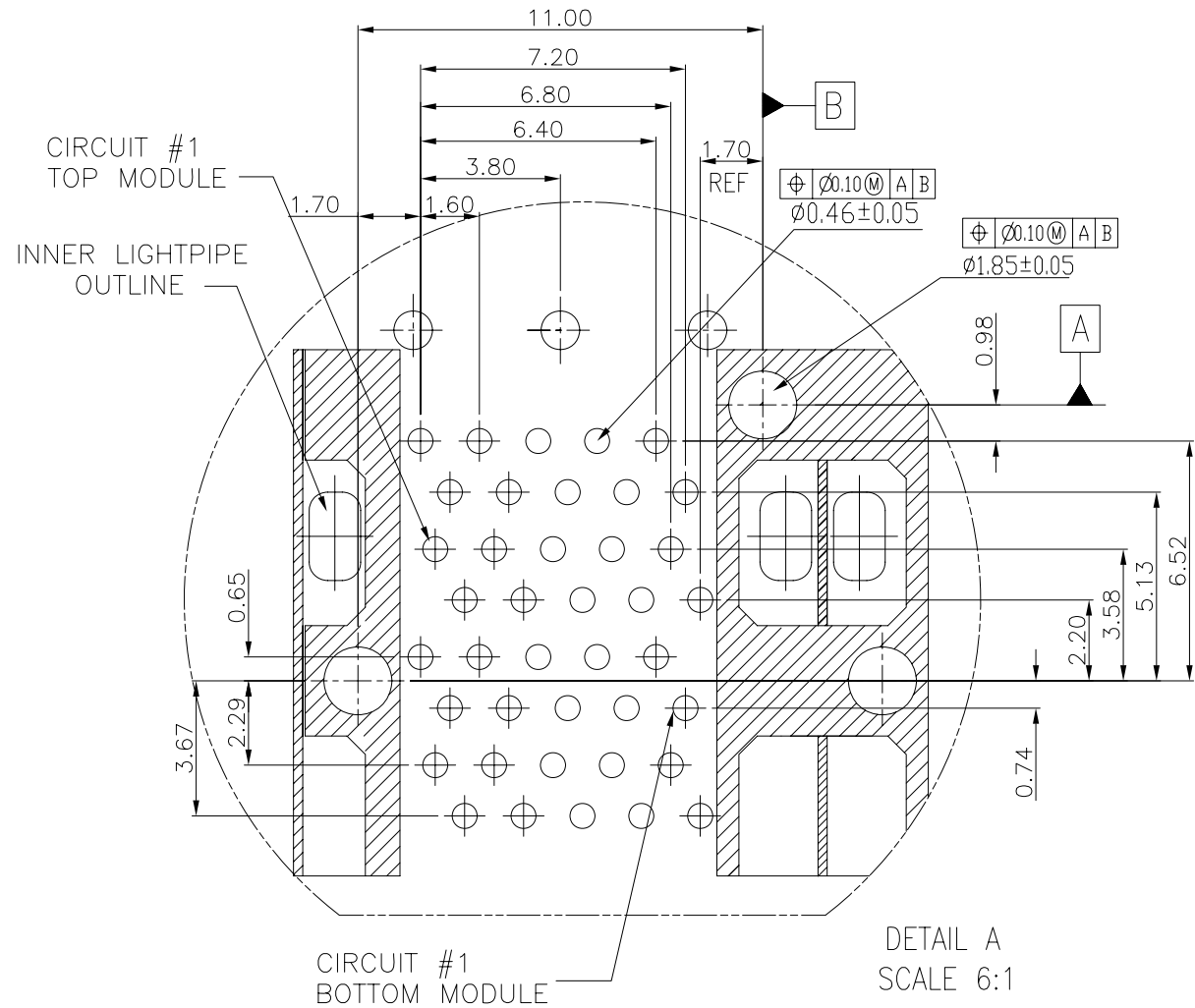
|                            |   |   |                           |                      |   |
|----------------------------|---|---|---------------------------|----------------------|---|
| MM<br>(INCH)               |   | <b>RoHS Compliant</b>   |                           |                      |   |
| TOLERANCES EXCEPT AS NOTED |   | TITLE<br>SFP 2 BY 2 CAGE+CONNECTOR_P<br>W/LIGHT PIPES&EMI TAB |                           |                      |   |
| DETACHED LISTS             | MM<br>.0 ± 0.25<br>.00 ± 0.2<br>.000 ± 0.10 | ±<br>±<br>±   | DFTD Jack<br>DATE 6/09/09 |                      | DRAWING NO. CSFPP-3131-L<br>/PART NO. SFPP-3131-L |
|                            | ANGLES ± 0.5                                |   | SIZE<br>A3                | REV<br>0             |   |
|                            | <br>THIRD ANGLE PROJECTION                  |   | SCALE : 2:1               | DO NOT SCALE DRAWING | SHEET 3 OF 4                                      |




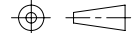
KEEPOUT ZONE DETAIL  
SCALE 6:1



CONNECTOR PIN-OUT  
COMPONENT SIDE OF BOARD



DETAIL A  
SCALE 6:1

|   |  |                          |   |   |     |
|---|--|--------------------------|---|---|-----|
| MM<br>(INCH)  |  | <b>RoHS Compliant</b>    |   | <br><b>Pulse</b><br>A TECHNITROL COMPANY |     |
| TOLERANCES EXCEPT AS NOTED  |  |                          |   |   |     |
| DETACHED LISTS  |  | MM                       | ± |   |     |
|   |  | .0 ± 0.25                | ± |   |     |
|   |  | .00 ± 0.2                | ± |   |     |
|   |  | .000 ± 0.10              | ± |   |     |
|   |  | ANGLES ± 0.5             |   |   |     |
|  |  | THIRD ANGLE PROJECTION   |   |   |     |
| TITLE   |  | W/LIGHT PIPES&EMI TAB    |   | SIZE  | REV |
| SFP 2 BY 2 CAGE+CONNECTOR_P   |  |                          |   | A3  | 0   |
| DFTD Jack   |  | DRAWING NO. CSFPP-3131-L |   |   |     |
| DATE 6/09/09'   |  | /PART NO. SFPP-3131-L    |   |   |     |
| SCALE : 2:1   |  | DO NOT SCALE DRAWING     |   | SHEET 4 OF 4  |     |