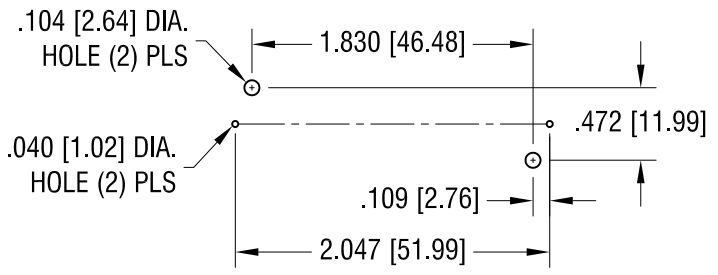
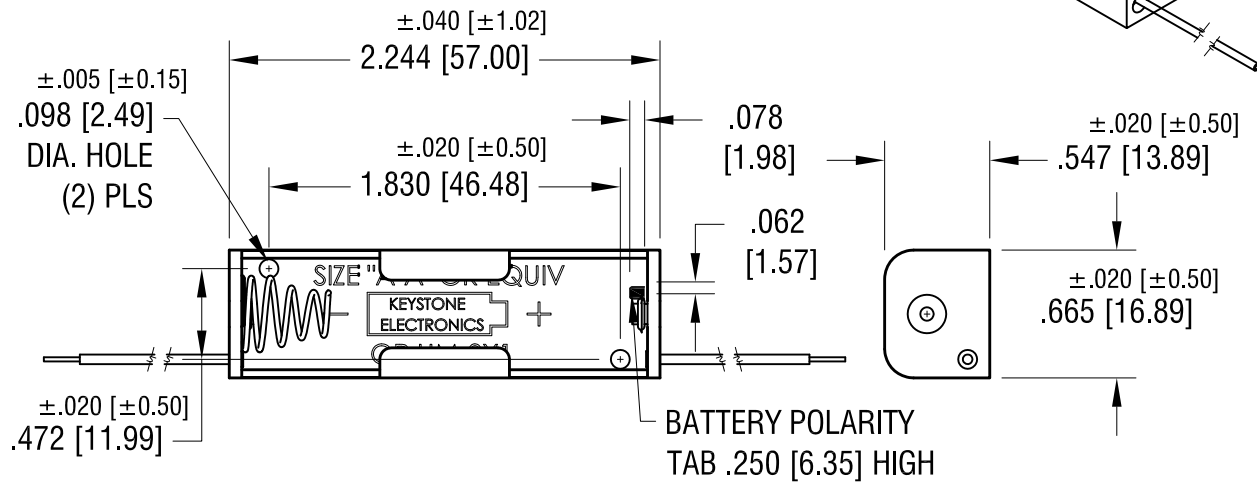
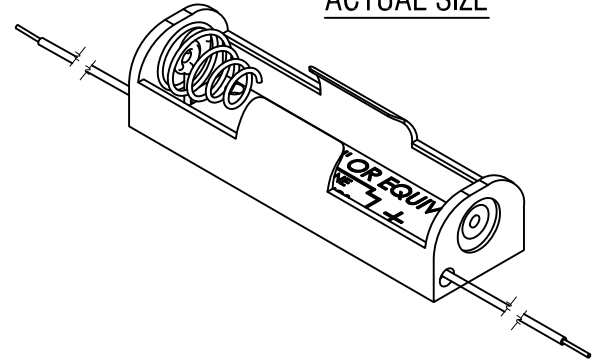


THIS DOCUMENT IS THE PROPERTY OF
KEYSTONE ELECTRONICS CORP. AND
SHALL NOT BE REPRODUCED, DISTRIBUTED
OR USED AS A BASIS FOR MANUFACTURE
WITHOUT PRIOR WRITTEN PERMISSION
FROM KEYSTONE ELECTRONICS CORP.

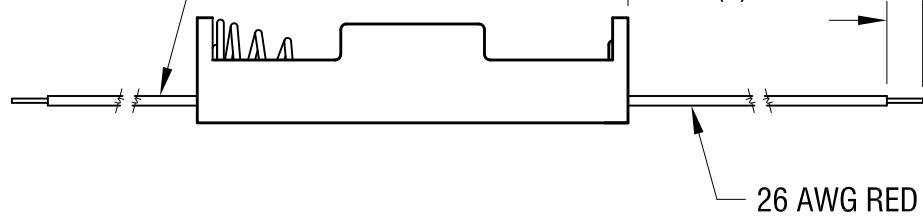
MOUNTING DETAIL



ACTUAL SIZE



26 AWG BLACK



26 AWG RED

NOTE:

- 1. HOLDER: MAT'L: POLYPROPYLENE
- 2. SPRING: MAT'L: MUSIC WIRE, .024 [0.60] DIA.

KEYSTONE ELECTRONICS CORP.			
www.keyelco.com • NEW HYDE PARK, NY 11040 • Tel (516) 328-7500			
PART NAME		PC BATTERY HOLDER (1) 'AA'	
MATERIAL		AS NOTED	
FINISH	NICKEL PLATE	DRN BY	BOONE
		APP'D	LN
		DATE	10.11.95
		SCALE	1X
TOLERANCES	INCH [MM]	CODE	DWG NO.
DECIMAL	±.010 [±.025]	C	2461
ANGULAR	± 1°		
UNLESS OTHERWISE SPECIFIED			

11.8.05	CHANGE AS PER ECN 05-080	C
DATE	DESCRIPTION	REV.