



## U74LVC157

CMOS IC

### QUADRUPLE 2-LINE TO 1-LINE DATA SELECTORS/MULTIPLEXERS

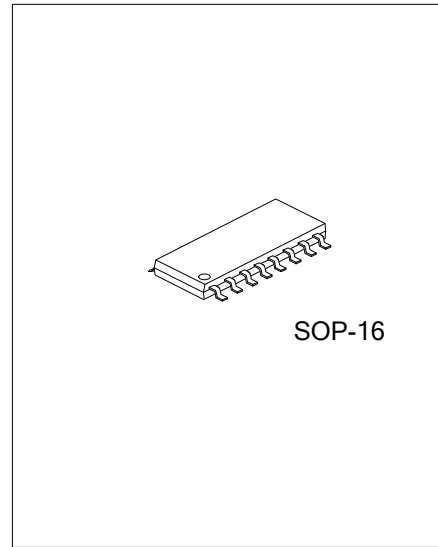
#### DESCRIPTION

The **U74LVC157** is designed for 1.65V to 3.6V  $V_{CC}$  operation.

The device features a common strobe ( $\bar{G}$ ) input. When ( $\bar{G}$ ) is high, all outputs are low. When  $\bar{G}$  is low, a 4-bit word is selected from one of two sources and is routed to the four outputs.

#### FEATURES

- \* Operate From 1.65V to 3.6V
- \* Inputs Accept Voltages to 5.5V
- \* Max  $t_{pd}$  of 5.2ns at 3.3V
- \* Typical  $V_{OLP}$  (Output Ground Bounce) $<0.8V$  at  $V_{CC}=3.3V, T_A=25^\circ C$
- \* Typical  $V_{OHV}$  (Output  $V_{OH}$  Undershoot) $>2V$  at  $V_{CC}=3.3V, T_A=25^\circ C$

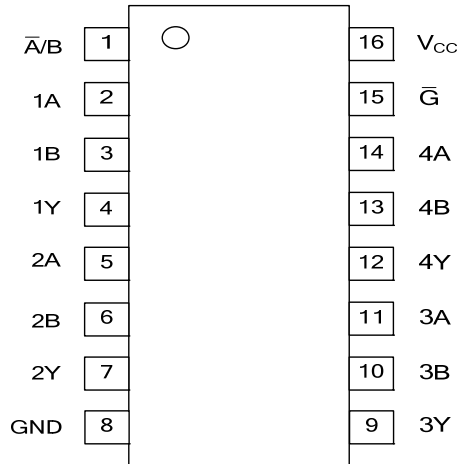


#### ORDERING INFORMATION

Ordering Number		Package	Packing
Lead Free	Halogen Free		
U74LVC157L-S16-T	U74LVC157G-S16-T	SOP-16	Tube
U74LVC157L-S16-R	U74LVC157G-S16-R	SOP-16	Tape Reel

<p>U74LVC157L-S16-T</p> <p>(1) Packing Type</p> <p>(2) Package Type</p> <p>(3) Halogen Free</p>	<p>(1) T: Tube, R: Tape Reel</p> <p>(2) S16: SOP-16</p> <p>(3) L: Lead Free, G: Halogen Free</p>
---	--

■ PIN CONFIGURATION

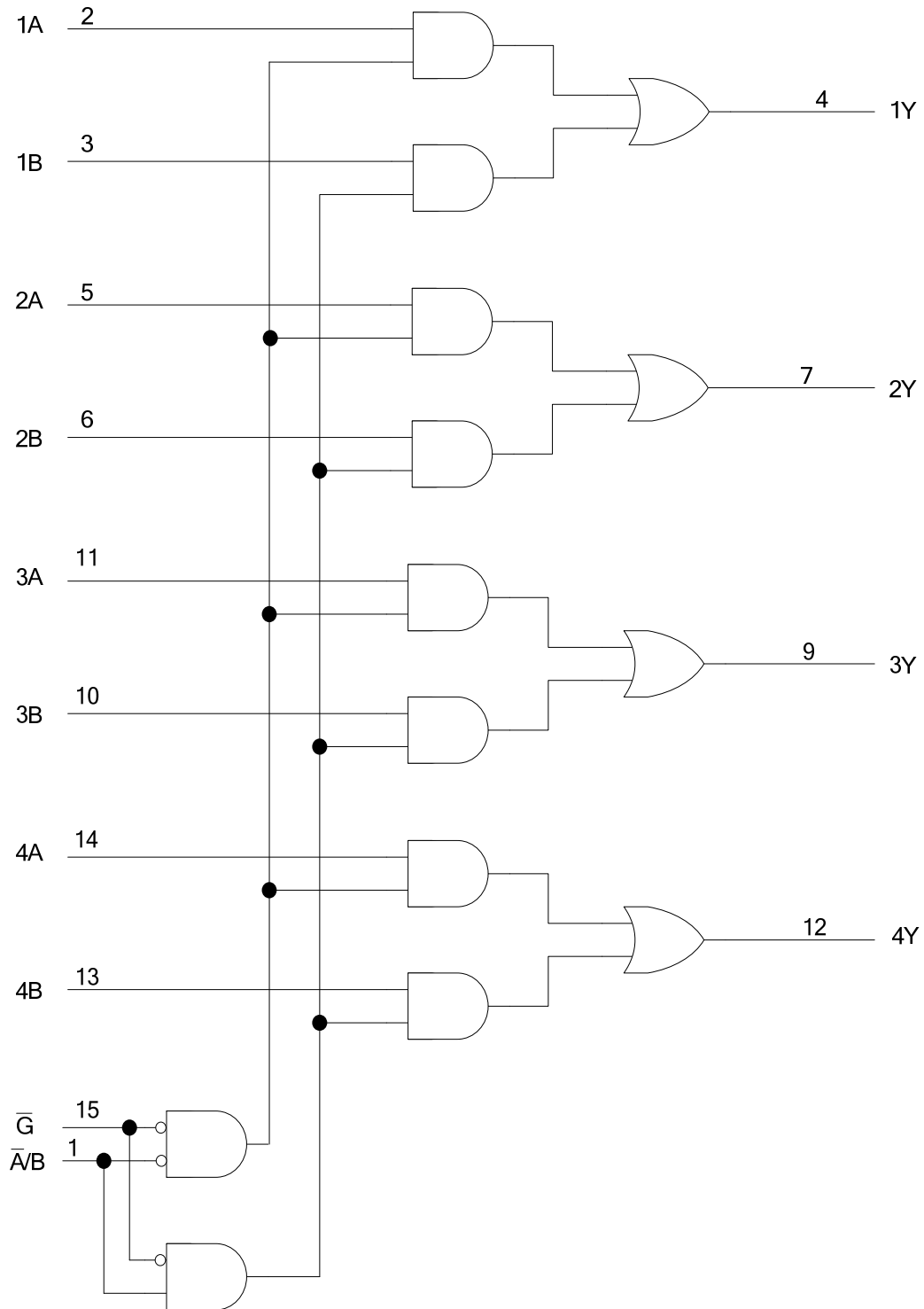


■ FUNCTION TABLE

INPUTS				OUTPUT Y
$\bar{G}$	$\bar{A/B}$	A	B	
H	X	X	X	L
L	L	L	X	L
L	L	H	X	H
L	H	X	L	L
L	H	X	H	H

Note: H: HIGH voltage level; L: LOW voltage level; X: Don't care.

■ LOGIC DIAGRAM (positive logic)



## ■ ABSOLUTE MAXIMUM RATING

PARAMETER	SYMBOL	RATINGS	UNIT
Supply Voltage	$V_{CC}$	-0.5 ~ +6.5	V
Input Voltage	$V_{IN}$	-0.5 ~ +6.5	V
Output Voltage	$V_{OUT}$	-0.5 ~ $V_{CC}+0.5$	V
$V_{CC}$ or GND Current	$I_{CC}$	±100	mA
Continuous Output Current	$I_{OUT}$	±50	mA
Input Clamp Current ( $V_{IN}<0$ )	$I_{IK}$	-50	mA
Output Clamp Current ( $V_{OUT}<0$ )	$I_{OK}$	-50	mA
Storage Temperature Range	$T_{STG}$	-65 ~ +150	°C

Note: Absolute maximum ratings are those values beyond which the device could be permanently damaged.

Absolute maximum ratings are stress ratings only and functional device operation is not implied.

## ■ RECOMMENDED OPERATING CONDITIONS ( $T_A = 25^\circ\text{C}$ , unless otherwise specified)

PARAMETER	SYMBOL	TEST CONDITIONS	MIN	TYP	MAX	UNIT
Supply Voltage	$V_{CC}$	Operating	1.65		3.6	V
Input Voltage	$V_{IN}$		0		5.5	V
Output Voltage	$V_{OUT}$		0		$V_{CC}$	V
High-level input voltage	$V_{IH}$	$V_{CC}=1.65\text{V}\sim 1.95\text{V}$	$0.65\times V_{CC}$			V
		$V_{CC}=2.3\text{V}\sim 2.7\text{V}$	1.7			
		$V_{CC}=2.7\text{V}\sim 3.6\text{V}$	2			
Low-level input voltage	$V_{IL}$	$V_{CC}=1.65\text{V}\sim 1.95\text{V}$			$0.35\times V_{CC}$	V
		$V_{CC}=2.3\text{V}\sim 2.7\text{V}$			0.7	
		$V_{CC}=2.7\text{V}\sim 3.6\text{V}$			0.8	
Input Transition Rise or Fall Rate	$\Delta t/\Delta v$				10	ns/V
Operating Temperature	$T_A$		-40		85	°C

3Note: All unused inputs of the device must be held at  $V_{CC}$  or GND to ensure proper device operation.

## ■ ELECTRICAL CHARACTERISTICS ( $T_A = 25^\circ\text{C}$ , unless otherwise specified)

PARAMETER	SYMBOL	TEST CONDITIONS	MIN	TYP	MAX	UNIT
High-Level Output Voltage	$V_{OH}$	$V_{CC}=1.65\sim 3.6\text{V}$ , $I_{OH}=-100\mu\text{A}$	$V_{CC}-0.2$			V
		$V_{CC}=1.65\text{V}$ , $I_{OH}=-4\text{mA}$	1.29			
		$V_{CC}=2.3\text{V}$ , $I_{OH}=-8\text{mA}$	1.9			
		$V_{CC}=2.7\text{V}$ , $I_{OH}=-12\text{mA}$	2.2			
		$V_{CC}=3.0\text{V}$ , $I_{OH}=-12\text{mA}$	2.4			
		$V_{CC}=3\text{V}$ , $I_{OH}=-24\text{mA}$	2.3			
Low-Level Output Voltage	$V_{OL}$	$V_{CC}=1.6\sim 3.6\text{V}$ , $I_{OL}=100\mu\text{A}$			0.1	V
		$V_{CC}=1.65\text{V}$ , $I_{OL}=4\text{mA}$			0.24	
		$V_{CC}=2.3\text{V}$ , $I_{OL}=8\text{mA}$			0.30	
		$V_{CC}=2.7\text{V}$ , $I_{OL}=12\text{mA}$			0.40	
		$V_{CC}=3\text{V}$ , $I_{OL}=24\text{mA}$			0.55	
Input Leakage Current	$I_{I(LEAK)}$	$V_{CC}=3.6\text{V}$ , $V_{IN}=5.5\text{V}$ or GND			±1	μA
Quiescent Supply Current	$I_{CC}$	$V_{IN}=V_{CC}$ or GND, $I_{OUT}=0$ $V_{CC}=3.6\text{V}$			1	μA
Additional Quiescent Supply Current Per Input Pin	$\Delta I_{CC}$	$V_{CC}=2.7\text{V}\sim 3.6\text{V}$ , One input at $V_{CC}-0.6\text{V}$ , Other inputs at $V_{CC}$ or GND			500	μA
Input Capacitance	$C_I$	$V_{CC}=3.3\text{V}$ , $V_{IN}=V_{CC}$ or GND		5		pF

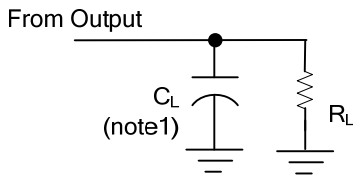
■ SWITCHING CHARACTERISTICS (T<sub>A</sub> =25°C , unless otherwise specified)(see Figure 1)

PARAMETER	SYMBOL	TEST CONDITIONS	MIN	TYP	MAX	UNIT
Propagation delay from input (A or B) to output(Y)	t <sub>PLH</sub> /t <sub>PHL</sub>	V <sub>CC</sub> =1.8V±0.15V, C <sub>L</sub> =30pF	1	5.5	13.5	ns
		V <sub>CC</sub> =2.5V±0.2V, C <sub>L</sub> =30pF	1	3.2	7.4	
		V <sub>CC</sub> =2.7V, C <sub>L</sub> =50pF	1	3.6	5.7	
		V <sub>CC</sub> =3.3V±0.3V, C <sub>L</sub> =50pF	1	3	5	
Propagation delay from input ( $\bar{A}$ / $\bar{B}$ ) to output(Y)	t <sub>PLH</sub> /t <sub>PHL</sub>	V <sub>CC</sub> =1.8V±0.15V, C <sub>L</sub> =30pF	1	6	15.5	ns
		V <sub>CC</sub> =2.5V±0.2V, C <sub>L</sub> =30pF	1	3.7	9.6	
		V <sub>CC</sub> =2.7V, C <sub>L</sub> =50pF	1	4.1	7.9	
		V <sub>CC</sub> =3.3V±0.3V, C <sub>L</sub> =50pF	1	3.4	6.6	
Propagation delay from input ( $\bar{G}$ ) to output(Y)	t <sub>PLH</sub> /t <sub>PHL</sub>	V <sub>CC</sub> =1.8V±0.15V, C <sub>L</sub> =30pF	1	5.9	13.5	ns
		V <sub>CC</sub> =2.5V±0.2V, C <sub>L</sub> =30pF	1	3.5	9.3	
		V <sub>CC</sub> =2.7V, C <sub>L</sub> =50pF	1	3.9	7.6	
		V <sub>CC</sub> =3.3V±0.3V, C <sub>L</sub> =50pF	1	3.3	6.3	

■ OPERATING CHARACTERISTICS (T<sub>A</sub> =25°C , unless otherwise specified)

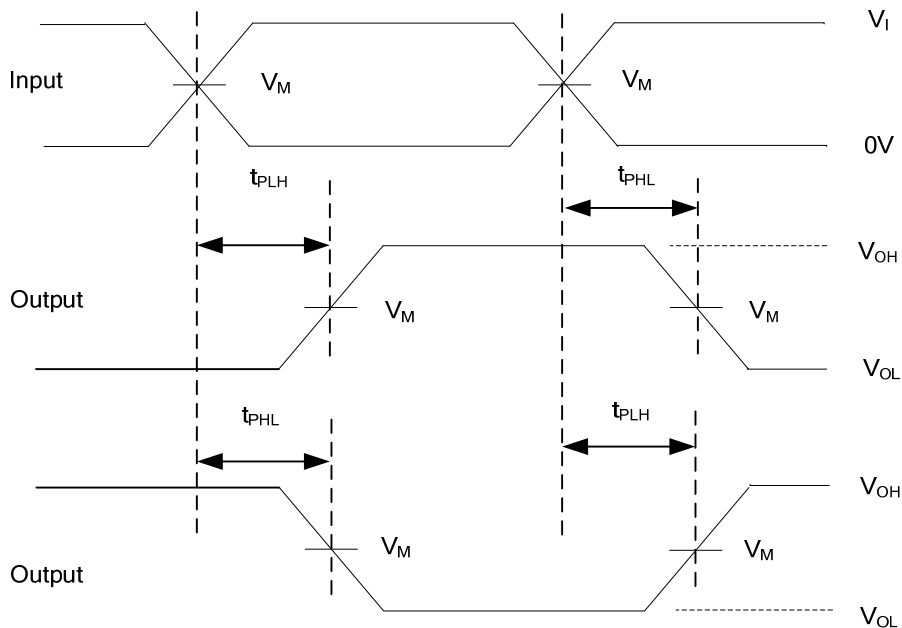
PARAMETER	SYMBOL	TEST CONDITIONS	MIN	TYP	MAX	UNIT
Power Dissipation Capacitance	C <sub>PD</sub>	f=10MHZ	V <sub>CC</sub> =1.8V	14		pF
			V <sub>CC</sub> =2.5V	15		
			V <sub>CC</sub> =3.3V	16		

■ TEST CIRCUIT AND WAVEFORMS



TEST CIRCUIT

V <sub>CC</sub>	INPUTS		V <sub>M</sub>	C <sub>L</sub>	R <sub>L</sub>
	V <sub>I</sub>	t <sub>r</sub> / t <sub>f</sub>			
1.8V±0.15V	V <sub>CC</sub>	≤2ns	V <sub>CC</sub> /2	30pF	1KΩ
2.5V±0.2V	V <sub>CC</sub>	≤2ns	V <sub>CC</sub> /2	30pF	500Ω
2.7V	2.7V	≤2.5ns	1.5V	50pF	500Ω
3.3V±0.3V	2.7V	≤2.5ns	1.5V	50pF	500Ω



PROPAGATION DELAY TIMES

- Note: 1. C<sub>L</sub> includes probe and jig capacitance.  
 2. All input pulses are supplied by generators having the following characteristics: PRR ≤10MHz, Z<sub>o</sub>=50Ω.

Figure 1. Test Circuit and Voltage Waveforms

UTC assumes no responsibility for equipment failures that result from using products at values that exceed, even momentarily, rated values (such as maximum ratings, operating condition ranges, or other parameters) listed in products specifications of any and all UTC products described or contained herein. UTC products are not designed for use in life support appliances, devices or systems where malfunction of these products can be reasonably expected to result in personal injury. Reproduction in whole or in part is prohibited without the prior written consent of the copyright owner. The information presented in this document does not form part of any quotation or contract, is believed to be accurate and reliable and may be changed without notice.