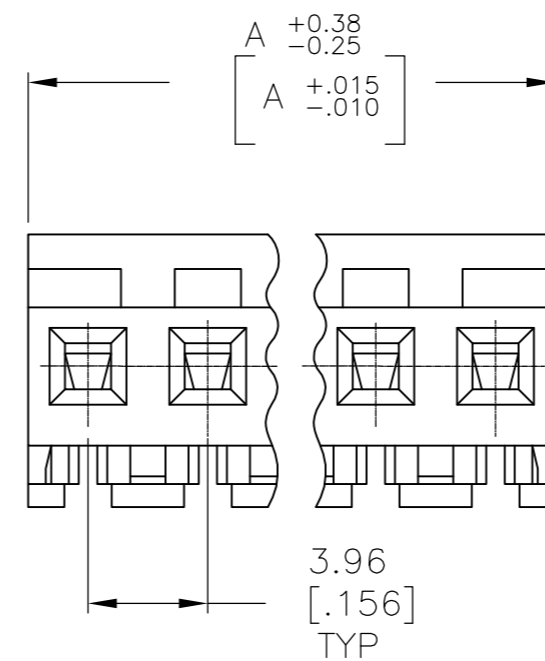
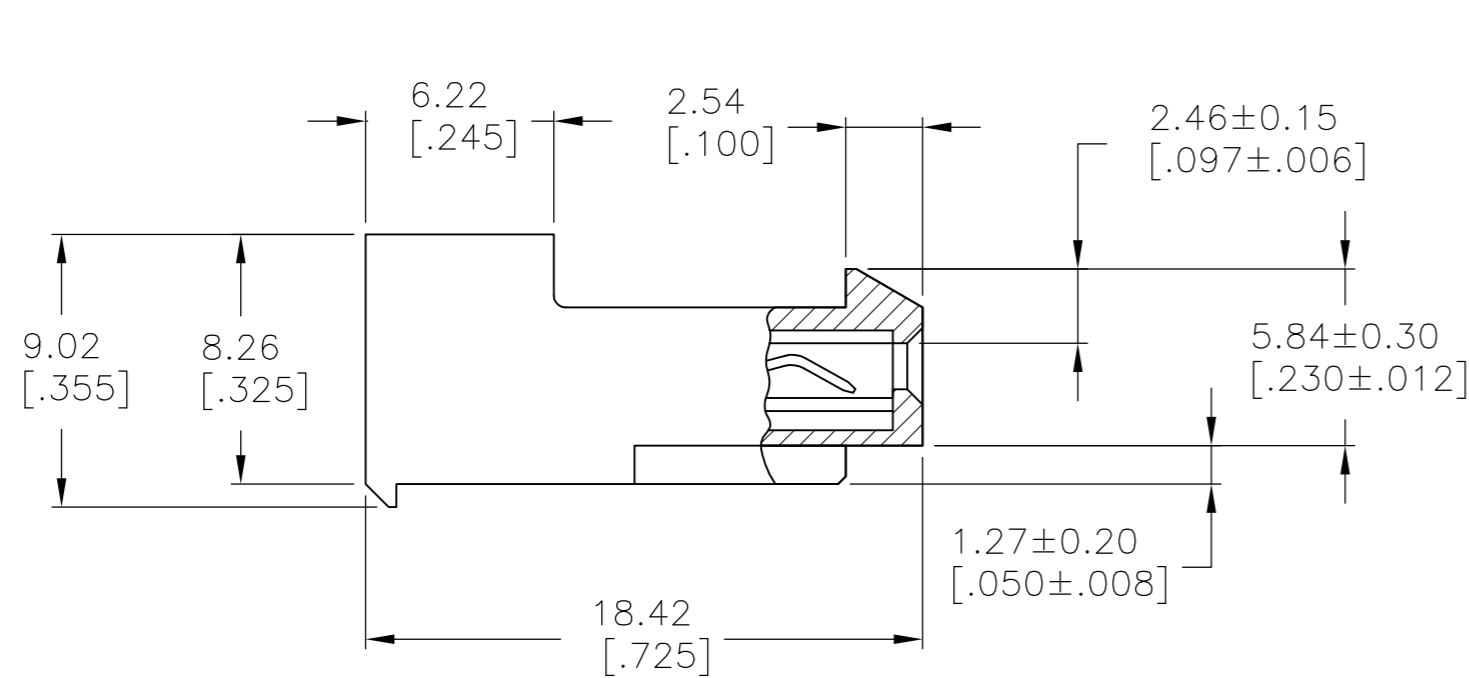
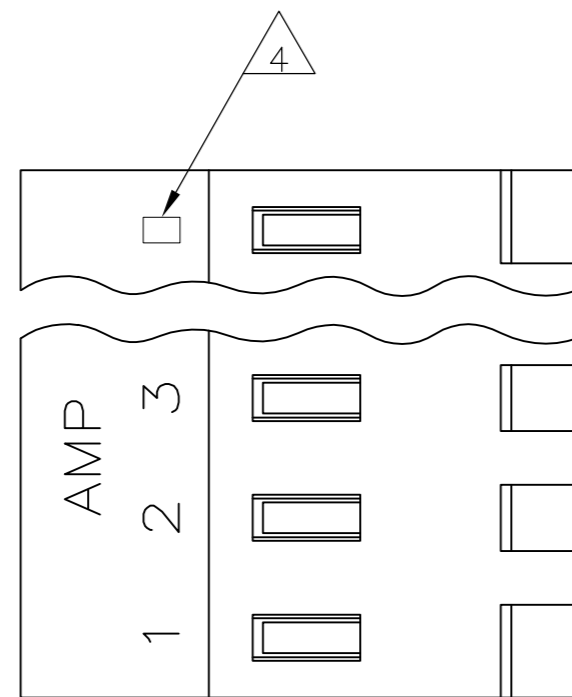


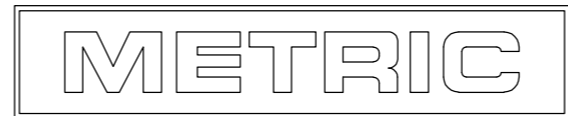
THIS DRAWING IS UNPUBLISHED. RELEASED FOR PUBLICATION  
 © COPYRIGHT - By - ALL RIGHTS RESERVED.

LOC		DIST		REVISIONS			
P	LTR	DESCRIPTION		DATE	DWN	APVD	
	V	REVISED PER ECO-12-007609		03AUG12	KH	SM	



- 1 MATERIAL: CONNECTOR - NYLON UL94-V2.  
CONTACTS - 0.30[.012] THICK COPPER ALLOY  
(BRIGHT TIN-LEAD 0.00203[.000080] MIN. THICK FOR CONTACTS 640430-2 THRU 2-640430-4).  
(MATTE WHISKER MITIGATED TIN 0.00203[.000080] MIN. THICKNESS OVER NICKEL UNDERPLATE FOR 3-640430-2 THRU 5-640430-4).
- 2 CONTACTS ACCEPT 26 AWG WIRE WITH 2.41[.095] MAX INSULATION DIAMETER.
- 3 CONTACTS MUST ACCEPT 1.14±0.03[.045] POST AND REMAIN LOCKED IN POSITION.
- 4 IDENTIFICATION NUMBER FOR LAST CIRCUIT MAY NOT APPEAR ON ALL ASSEMBLIES.
- 5 DIMENSIONS IN BRACKETS ARE IN INCHES.
- 6 HOUSING FEATURES ARE: CLOSED END WITH LOCKING RAMP.
- 7 OBSOLETE PARTS: OBSOLETE CIS STREAMLINING PER D.RENAUD/D.SINISI
- 8 BLUE COLOR STRIPE ON HOUSING (NOT SHOWN) MAY RUN DOWN BETWEEN RIBS.

95.10[3.744]	24	5-640430-4	
91.13[3.588]	23	5-640430-3	
87.17[3.432]	22	5-640430-2	
83.21[3.276]	21	5-640430-1	
79.25[3.120]	20	5-640430-0	
75.29[2.964]	19	4-640430-9	
71.32[2.808]	18	4-640430-8	
67.36[2.652]	17	4-640430-7	
63.40[2.496]	16	4-640430-6	
59.44[2.340]	15	4-640430-5	
55.47[2.184]	14	4-640430-4	
51.51[2.028]	13	4-640430-3	
47.55[1.872]	12	4-640430-2	
43.59[1.716]	11	4-640430-1	
39.62[1.560]	10	4-640430-0	
35.66[1.404]	9	3-640430-9	
31.70[1.248]	8	3-640430-8	
27.74[1.092]	7	3-640430-7	
23.77[.936]	6	3-640430-6	
19.81[.780]	5	3-640430-5	
15.85[.624]	4	3-640430-4	
11.89[.468]	3	3-640430-3	
7.92[.312]	2	3-640430-2	
△ SUPERCEDED	95.10[3.744]	24	2-640430-4
△ SUPERCEDED	91.13[3.588]	23	2-640430-3
△ SUPERCEDED	87.17[3.432]	22	2-640430-2
△ SUPERCEDED	83.21[3.276]	21	2-640430-1
△ SUPERCEDED	79.25[3.120]	20	1-640430-0
△ SUPERCEDED	75.29[2.964]	19	1-640430-9
△ SUPERCEDED	71.32[2.808]	18	1-640430-8
△ SUPERCEDED	67.36[2.652]	17	1-640430-7
△ SUPERCEDED	63.40[2.496]	16	1-640430-6
△ SUPERCEDED	59.44[2.340]	15	1-640430-5
△ SUPERCEDED	55.47[2.184]	14	1-640430-4
△ SUPERCEDED	51.51[2.028]	13	1-640430-3
△ SUPERCEDED	47.55[1.872]	12	1-640430-2
△ SUPERCEDED	43.59[1.716]	11	1-640430-1
△ SUPERCEDED	39.62[1.560]	10	1-640430-0
△ SUPERCEDED	35.66[1.404]	9	640430-9
△ SUPERCEDED	31.70[1.248]	8	640430-8
△ SUPERCEDED	27.74[1.092]	7	640430-7
	23.77[.936]	6	640430-6
	19.81[.780]	5	640430-5
	15.85[.624]	4	640430-4
	11.89[.468]	3	640430-3
	7.92[.312]	2	640430-2
	DIM A	NO. OF CIRCUITS	PART NO.



THIS DRAWING IS A CONTROLLED DOCUMENT.		DWN S. CARPENTER 08JUL2003		
DIMENSIONS: mm [INCHES]		CHK D. BOSSI 08JUL2003		
TOLERANCES UNLESS OTHERWISE SPECIFIED:		APVD D. BOSSI 08JUL2003	NAME	
0 PLC ± -		PRODUCT SPEC	MTA 156 CONNECTOR ASSEMBLY, 26 AWG, STANDARD	
1 PLC ± -		APPLICATION SPEC	SIZE	CAGE CODE
2 PLC ± -		114-1020	A2	00779
3 PLC ± 0.13 [.005]		WEIGHT	DRAWING NO	
4 PLC ± -		-	C=640430	
ANGLES ± -		CUSTOMER DRAWING	RESTRICTED TO	
FINISH			SCALE	SHEET
1			4:1	1 of 1
			REV	V