

FEATURES

- 35, 45 ns Read Access & R/W Cycle Time
- Unlimited Read/Write Endurance
- Automatic Non-volatile STORE on Power Loss
- Non-Volatile STORE Under Hardware or Software Control
- Automatic RECALL to SRAM on Power Up
- Unlimited RECALL Cycles
- 1 Million STORE Cycles
- 100-Year Non-volatile Data Retention
- Single 3.3V ± 10% Power Supply
- Commercial and Industrial Temperatures
- 32-Pin 300 mil SOIC and 600 mil PDIP Packages (RoHS-Compliant)

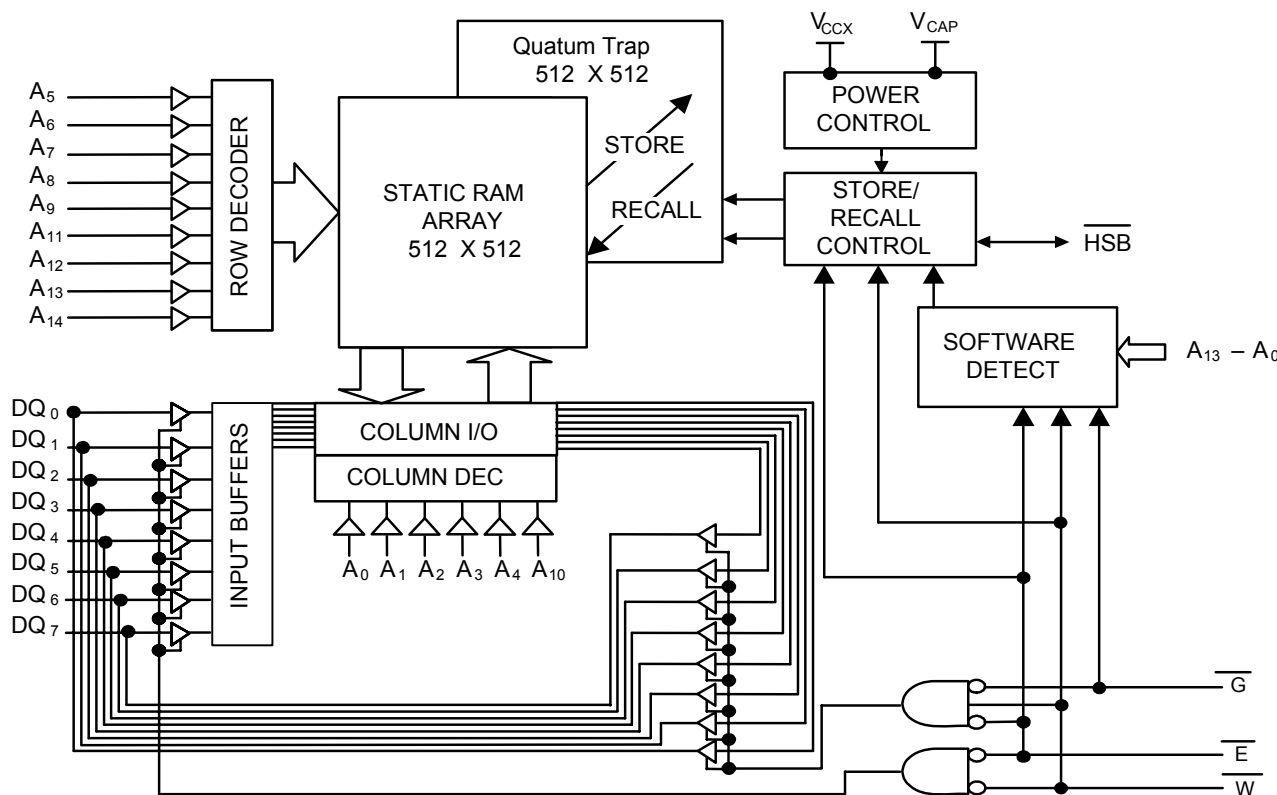
DESCRIPTION

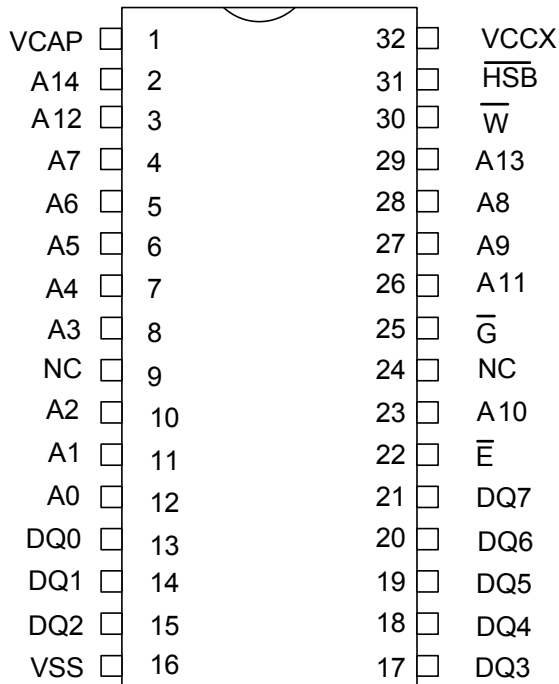
The Simtek STK14C88-3 is a 256Kb fast static RAM with a non-volatile Quantum Trap storage element included with each memory cell.

The SRAM provides the fast access & cycle times, ease of use and unlimited read & write endurance of a normal SRAM.

Data transfers automatically to the non-volatile storage cells when power loss is detected (the STORE operation). On power up, data is automatically restored to the SRAM (the RECALL operation). Both STORE and RECALL operations are also available under software control.

The Simtek nvSRAM is the first monolithic non-volatile memory to offer unlimited writes and reads. It is the highest performance, most reliable non-volatile memory available.

BLOCK DIAGRAM




32-Pin SOIC

32-Pin PDIP

PIN DESCRIPTIONS

Pin Name	I/O	Description
A ₁₄ -A ₀	Input	Address: The 15 address inputs select one of 32,768 bytes in the nvSRAM array
DQ ₇ -DQ ₀	I/O	Data: Bi-directional 8-bit data bus for accessing the nvSRAM
Ē	Input	Chip Enable: The active low Ē input selects the device
W̄	Input	Write Enable: The active low W̄ enables data on the DQ pins to be written to the address location latched by the falling edge of Ē
Ḡ	Input	Output Enable: The active low Ḡ input enables the data output buffers during read cycles. De-asserting Ḡ high caused the DQ pins to tri-state.
V _{CCX}	Power Supply	Power: 3.3V, ± 10%
HSB̄	I/O	Hardware Store Busy: When low this output indicates a Store is in progress. When pulled low external to the chip, it will initiate a nonvolatile STORE operation. A weak pull up resistor keeps this pin high if not connected. (Connection Optional).
V _{CAP}	Power Supply	AutoStore Capacitor: Supplies power to nvSRAM during power loss to store data from SRAM to nonvolatile storage elements.
V _{SS}	Power Supply	Ground

ABSOLUTE MAXIMUM RATINGS^a

Voltage on Input Relative to Ground -0.5V to 7.0V
 Voltage on Input Relative to V_{SS} -0.6V to (V_{CC} + 0.5V)
 Voltage on DQ₀₋₇ or $\overline{\text{HSB}}$ -0.5V to (V_{CC} + 0.5V)
 Temperature under Bias -55°C to 125°C
 Storage Temperature -65°C to 150°C
 Power Dissipation 1W
 DC Output Current (1 output at a time, 1s duration) 15mA

Note a: Stresses greater than those listed under “Absolute Maximum Ratings” may cause permanent damage to the device. This is a stress rating only, and functional operation of the device at conditions above those indicated in the operational sections of this specification is not implied. Exposure to absolute maximum rating conditions for extended periods may affect reliability.

DC CHARACTERISTICS

(V_{CC} = 3 - 3.6V)^e

SYMBOL	PARAMETER	COMMERCIAL		INDUSTRIAL		UNITS	NOTES
		MIN	MAX	MIN	MAX		
I _{CC1} ^b	Average V _{CC} Current		50 42		52 44	mA	t _{AVAV} = 35ns t _{AVAV} = 45ns
I _{CC2} ^c	Average V _{CC} Current during STORE		3		3	mA	All Inputs Don't Care, V _{CC} = max
I _{CC3} ^b	Average V _{CC} Current at t _{AVAV} = 200ns 5V, 25°C, Typical		9		9	mA	$\overline{\text{W}} \geq (V_{CC} - 0.2V)$ All Others Cycling, CMOS Levels
I _{CC4} ^c	Average V _{CAP} Current during AutoStore Cycle		2		2	mA	All Inputs Don't Care
I _{SB1} ^d	Average V _{CC} Current (Standby, Cycling TTL Input Levels)		18 16		19 17	mA	t _{AVAV} = 35ns, $\overline{\text{E}} \geq V_{IH}$ t _{AVAV} = 45ns, $\overline{\text{E}} \geq V_{IH}$
I _{SB2} ^d	V _{CC} Standby Current (Standby, Stable CMOS Input Levels)		1		1	mA	$\overline{\text{E}} \geq (V_{CC} - 0.2V)$ All Others V _{IN} ≤ 0.2V or ≥ (V _{CC} - 0.2V)
I _{ILK}	Input Leakage Current		±1		±1	µA	V _{CC} = max V _{IN} = V _{SS} to V _{CC}
I _{OLK}	Off-State Output Leakage Current		±1		±1	µA	V _{CC} = max V _{IN} = V _{SS} to V _{CC} , $\overline{\text{E}}$ or $\overline{\text{G}} \geq V_{IH}$
V _{IH}	Input Logic “1” Voltage	2.2	V _{CC} + .5	2.2	V _{CC} + .5	V	All Inputs
V _{IL}	Input Logic “0” Voltage	V _{SS} - .5	0.8	V _{SS} - .5	0.8	V	All Inputs
V _{OH}	Output Logic “1” Voltage	2.4		2.4		V	I _{OUT} = -4mA except $\overline{\text{HSB}}$
V _{OL}	Output Logic “0” Voltage		0.4		0.4	V	I _{OUT} = 8mA except $\overline{\text{HSB}}$
V _{BL}	Logic “0” Voltage on $\overline{\text{HSB}}$ Output		0.4		0.4	V	I _{OUT} = 3mA
T _A	Operating Temperature	0	70	-40	85	°C	
V _{CC}	Operating Voltage	3.0	3.6	3.0	3.6	V	3.3V ± 0.3V
V _{CAP}	Storage Capacitor	54	264	54	264	µF	68 to 220µF ± 20%, 4.7v Rated
NV _C	Nonvolatile STORE operations	1,000		1,000		K	
DATA _R	Data Retention	100		100		Years	@55 °C

Note b: I_{CC1} and I_{CC3} are dependent on output loading and cycle rate. The specified values are obtained with outputs unloaded.

Note c: I_{CC2} and I_{CC4} are the average currents required for the duration of the respective STORE cycles (t_{STORE}).

Note d: $\overline{\text{E}} \geq V_{IH}$ will not produce standby current levels until any nonvolatile cycle in progress has timed out.

Note e: V_{CC} reference levels throughout this datasheet refer to V_{CCX} if that is where the power supply connection is made, or V_{CAP} if V_{CCX} is connected to ground.

AC TEST CONDITIONS

Input Pulse Levels	0V to 3V
Input Rise and Fall Times	$\leq 5\text{ns}$
Input and Output Timing Reference Levels	1.5V
Output Load	See Figure 1

CAPACITANCE^f ($T_A = 25^\circ\text{C}$, $f = 1.0\text{MHz}$)

SYMBOL	PARAMETER	MAX	UNITS	CONDITIONS
C_{IN}	Input Capacitance	5	pF	$\Delta V = 0$ to 3V
C_{OUT}	Output Capacitance	7	pF	$\Delta V = 0$ to 3V

Note f: These parameters are guaranteed but not tested.

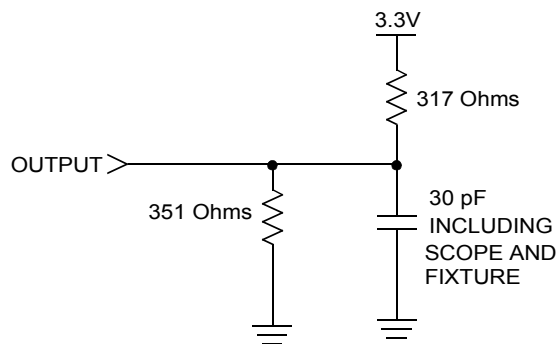


Figure 1. AC Output Loading

SRAM READ CYCLES #1 & #2

(V_{CC} = 3V - 3.6V)^e

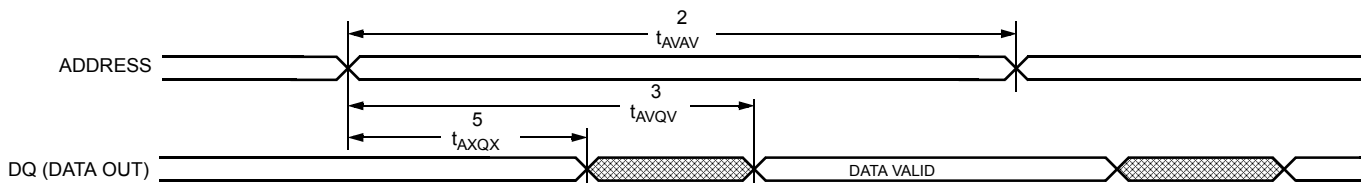
NO.	SYMBOLS		PARAMETER	STK14C88-3-35		STK14C88-3-45		UNITS
	#1, #2	Alt.		MIN	MAX	MIN	MAX	
1	t _{ELQV}	t _{ACS}	Chip Enable Access Time		35		45	ns
2	t _{AVAV} ^g	t _{RC}	Read Cycle Time	35		45		ns
3	t _{AVQV} ^h	t _{AA}	Address Access Time		35		45	ns
4	t _{GLQV}	t _{OE}	Output Enable to Data Valid		15		20	ns
5	t _{AXQX} ^h	t _{OH}	Output Hold after Address Change	5		5		ns
6	t _{ELQX}	t _{LZ}	Chip Enable to Output Active	5		5		ns
7	t _{EHQZ} ⁱ	t _{HZ}	Chip Disable to Output Inactive		13		15	ns
8	t _{GLQX}	t _{OLZ}	Output Enable to Output Active	0		0		ns
9	t _{GHQZ} ⁱ	t _{OHZ}	Output Disable to Output Inactive		13		15	ns
10	t _{ELICCH} ^f	t _{PA}	Chip Enable to Power Active	0		0		ns
11	t _{EHICCL} ^f	t _{PS}	Chip Disable to Power Standby		35		45	ns

Note g: \overline{W} and \overline{HSB} must be high during SRAM READ cycles and low during SRAM WRITE cycles.

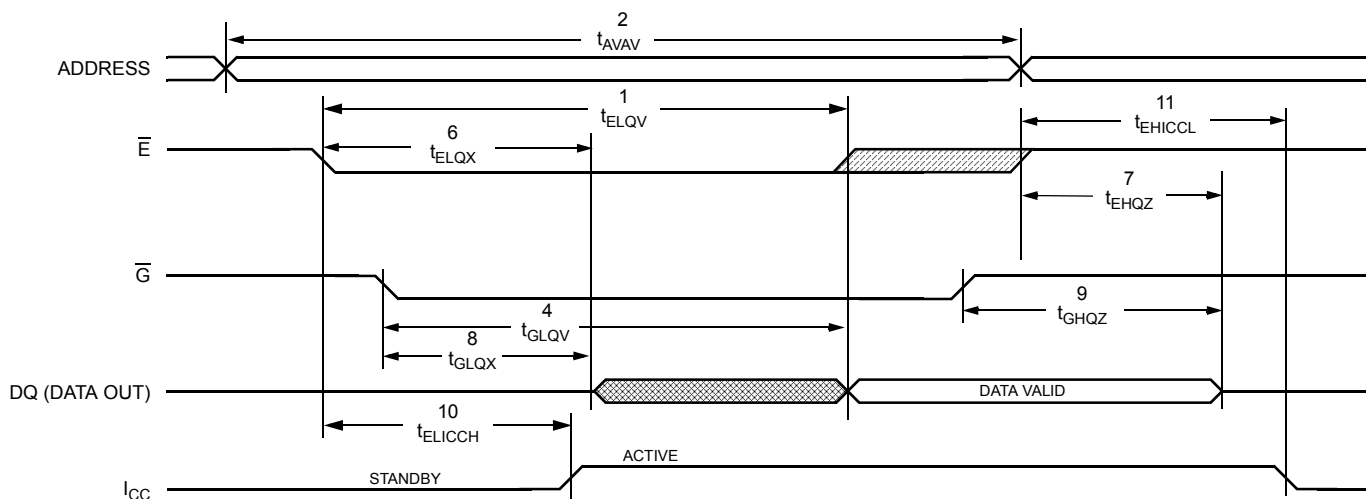
Note h: /O state assumes \overline{E} and $G \leq V_{IL}$ and $\overline{W} \geq V_{IH}$; device is continuously selected.

Note i: Measured ± 200 mV from steady state output voltage.

SRAM READ CYCLE #1: Address Controlled^{g, h}



SRAM READ CYCLE #2: \overline{E} Controlled^g



SRAM WRITE CYCLES #1 & #2

(V_{CC} = 3V - 3.6V)^e

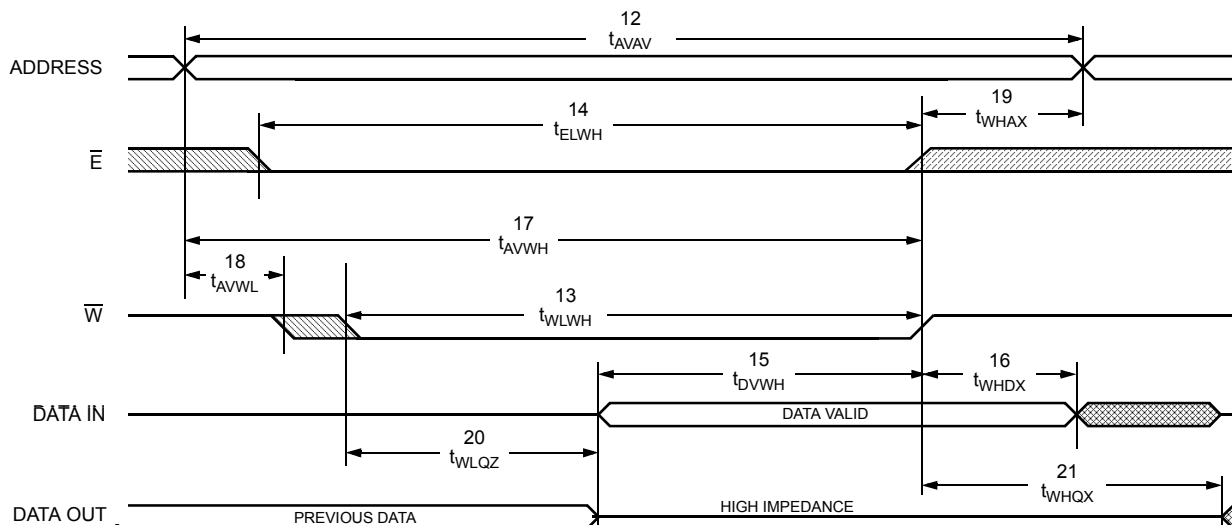
NO.	SYMBOLS			PARAMETER	STK14C88-3-35		STK14C88-3-45		UNITS
	#1	#2	Alt.		MIN	MAX	MIN	MAX	
12	t _{AVAV}	t _{AVAV}	t _{WC}	Write Cycle Time	35		45		ns
13	t _{WLWH}	t _{WLEH}	t _{WP}	Write Pulse Width	25		30		ns
14	t _{ELWH}	t _{ELEH}	t _{CW}	Chip Enable to End of Write	25		30		ns
15	t _{DVWH}	t _{DVEH}	t _{DW}	Data Set-up to End of Write	12		15		ns
16	t _{WHDX}	t _{EHDX}	t _{DH}	Data Hold after End of Write	0		0		ns
17	t _{AVWH}	t _{AVEH}	t _{AW}	Address Set-up to End of Write	25		30		ns
18	t _{AVWL}	t _{AVEL}	t _{AS}	Address Set-up to Start of Write	0		0		ns
19	t _{WHAX}	t _{EHAX}	t _{WR}	Address Hold after End of Write	0		0		ns
20	t _{WLQZ^{i,j}}		t _{WZ}	Write Enable to Output Disable		13		15	ns
21	t _{WHQX}		t _{OW}	Output Active after End of Write	5		5		ns

Note j: \overline{W} is low when \overline{E} goes low, the outputs remain in the high-impedance state.

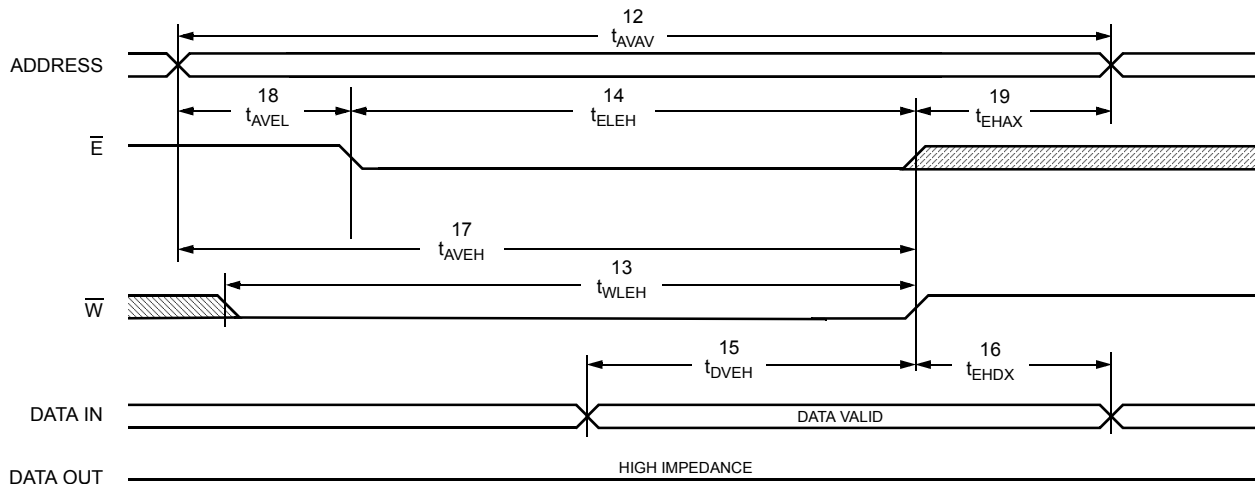
Note k: \overline{E} or \overline{W} must be $\geq V_{IH}$ during address transitions.

Note l: HSB must be high during SRAM WRITE cycles.

SRAM WRITE CYCLE #1: \overline{W} Controlled^{k, l}



SRAM WRITE CYCLE #2: \overline{E} Controlled^{k, l}



HARDWARE MODE SELECTION

\overline{E}	\overline{W}	\overline{HSB}	A ₁₃ - A ₀ (hex)	MODE	I/O	POWER	NOTES
H	X	H	X	Not Selected	Output High Z	Standby	
L	H	H	X	Read SRAM	Output Data	Active	t
L	L	H	X	Write SRAM	Input Data	Active	
X	X	L	X	Nonvolatile STORE	Output High Z	I _{CC2}	m

Note m: \overline{HSB} STORE operation occurs only if an SRAM WRITE has been done since the last nonvolatile cycle. After the STORE (if any) completes, the part will go into standby mode, inhibiting all operations until HSB rises.

HARDWARE STORE CYCLE

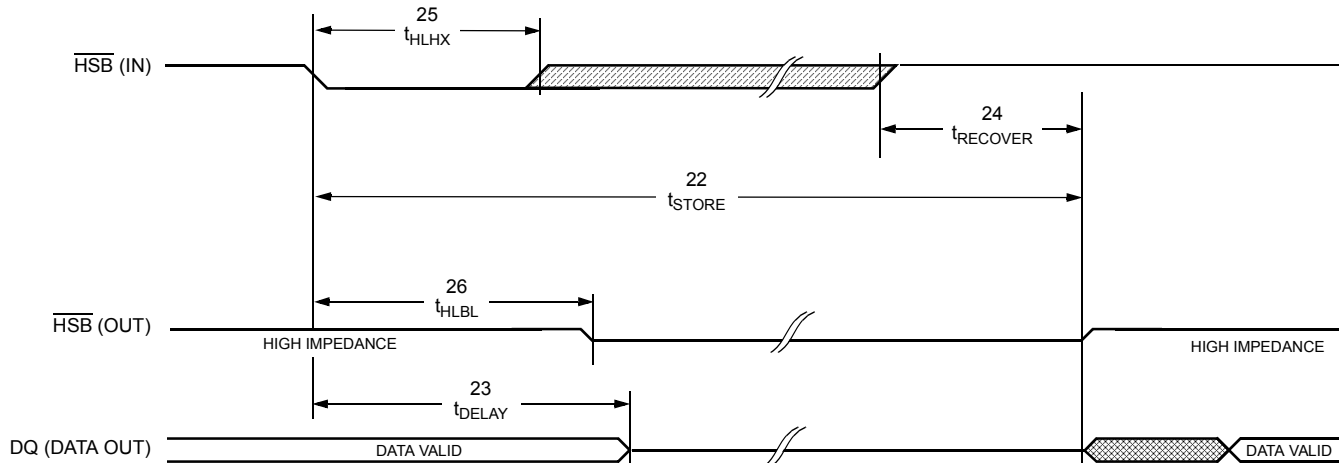
(V_{CC} = 3V - 3.6V)^e

NO.	SYMBOLS		PARAMETER	STK14C88-3		UNITS	NOTES
	Standard	Alternate		MIN	MAX		
22	t _{STORE}	t _{HLHZ}	STORE Cycle Duration		10	ms	i, n
23	t _{DELAY}	t _{HLQZ}	Time Allowed to Complete SRAM Cycle	1		μs	i, n
24	t _{RECOVER}	t _{HHQX}	Hardware STORE High to Inhibit Off		700	ns	n, o
25	t _{HLHX}		Hardware STORE Pulse Width	15		ns	
26	t _{HLBL}		Hardware STORE Low to STORE Busy		300	ns	

Note n: \overline{E} and \overline{G} low and \overline{W} high for output behavior.

Note o: t_{RECOVER} is only applicable after t_{STORE} is complete.

HARDWARE STORE CYCLE



AutoStore/POWER-UP RECALL

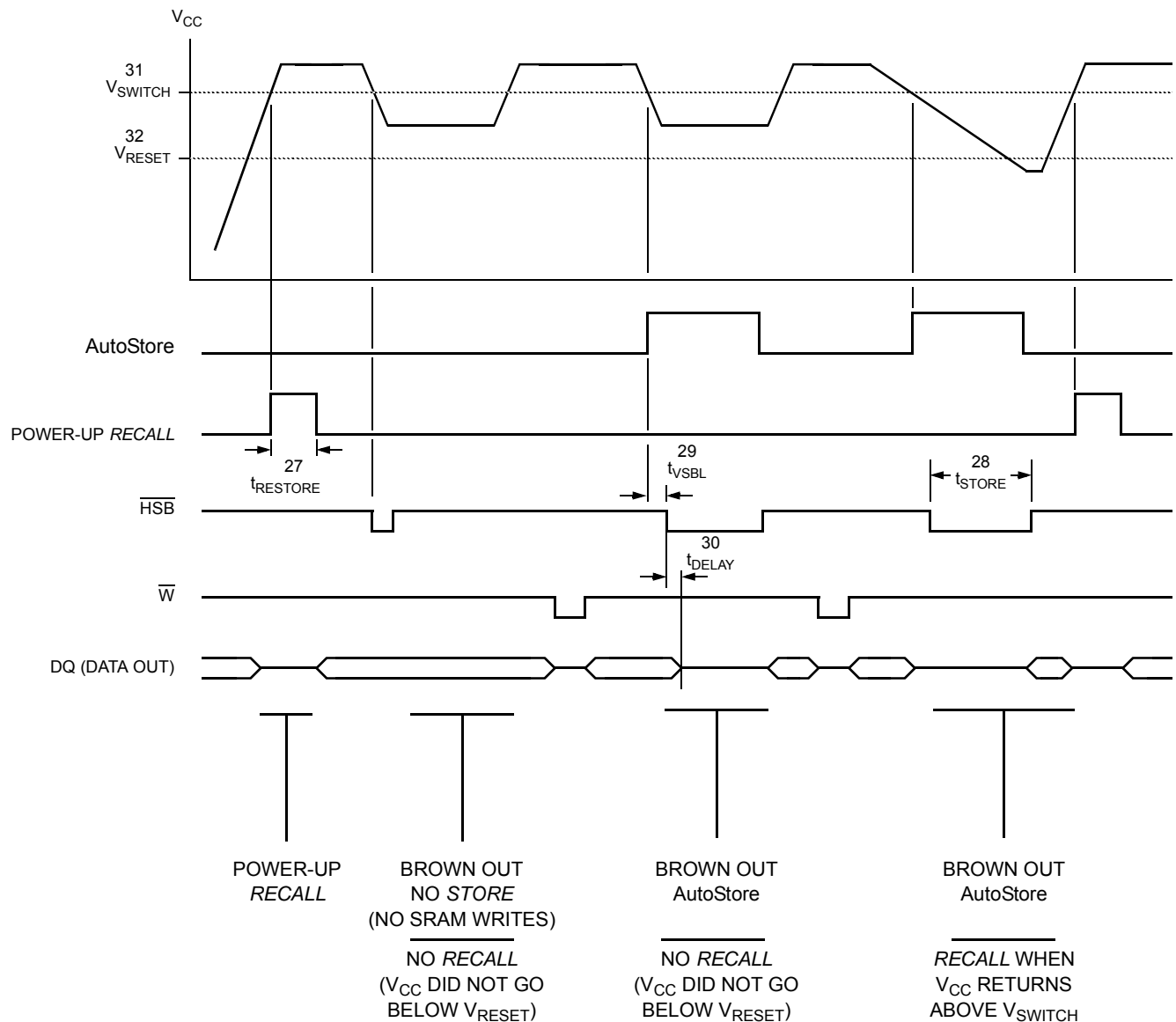
(V_{CC} = 3V - 3.6V)^e

NO.	SYMBOLS		PARAMETER	STK14C88-3		UNITS	NOTES
	Standard	Alternate		MIN	MAX		
27	t _{RESTORE}		Power-up <i>RECALL</i> Duration		550	μs	p
28	t _{STORE}	t _{HLHZ}	<i>STORE</i> Cycle Duration		10	ms	n, q
29	t _{VSBL}		Low Voltage Trigger (V _{SWITCH}) to $\overline{\text{HSB}}$ Low		300	ns	l
30	t _{DELAY}	t _{BLQZ}	Time Allowed to Complete SRAM Cycle	1		μs	n
31	V _{SWITCH}		Low Voltage Trigger Level	2.7	2.95	V	
32	V _{RESET}		Low Voltage Reset Level		2.4	V	

Note p: t_{RESTORE} starts from the time V_{CC} rises above V_{SWITCH}.

Note q: $\overline{\text{HSB}}$ is asserted low for 1μs when V_{CAP} drops through V_{SWITCH}. If an SRAM WRITE has not taken place since the last nonvolatile cycle, $\overline{\text{HSB}}$ will be released and no *STORE* will take place.

AutoStore/POWER-UP RECALL



SOFTWARE STORE/RECALL MODE SELECTION

\bar{E}	\bar{W}	A ₁₃ - A ₀ (hex)	MODE	I/O	POWER	NOTES
L	H	0E38	Read SRAM	Output Data	Active	r, s, t
		31C7	Read SRAM	Output Data		
		03E0	Read SRAM	Output Data		
		3C1F	Read SRAM	Output Data		
		303F	Read SRAM	Output Data		
		0FC0	Nonvolatile STORE	Output High Z		
L	H	0E38	Read SRAM	Output Data	Active	r, s, t
		31C7	Read SRAM	Output Data		
		03E0	Read SRAM	Output Data		
		3C1F	Read SRAM	Output Data		
		303F	Read SRAM	Output Data		
		0C63	Nonvolatile RECALL	Output High Z		

SOFTWARE-CONTROLLED STORE/RECALL CYCLE^V (V_{CC} = 3V - 3.6V)^e

NO.	SYMBOLS		PARAMETER	STK14C88-3-35		STK14C88-3-45		UNITS	NOTES
	Standard	Alternate		MIN	MAX	MIN	MAX		
33	t _{AVAV}	t _{RC}	STORE/RECALL Initiation Cycle Time	35		45		ns	n
34	t _{AVEL}	t _{AS}	Address Set-up Time	0		0		ns	u
35	t _{ELEH}	t _{CW}	Clock Pulse Width	25		30		ns	u
36	t _{ELAX}		Address Hold Time	20		20		ns	u
37	t _{RECALL}		RECALL Duration		20		20	μs	

Note r: The six consecutive addresses must be in the order listed. \bar{W} must be high during all six consecutive cycles to enable a nonvolatile cycle.

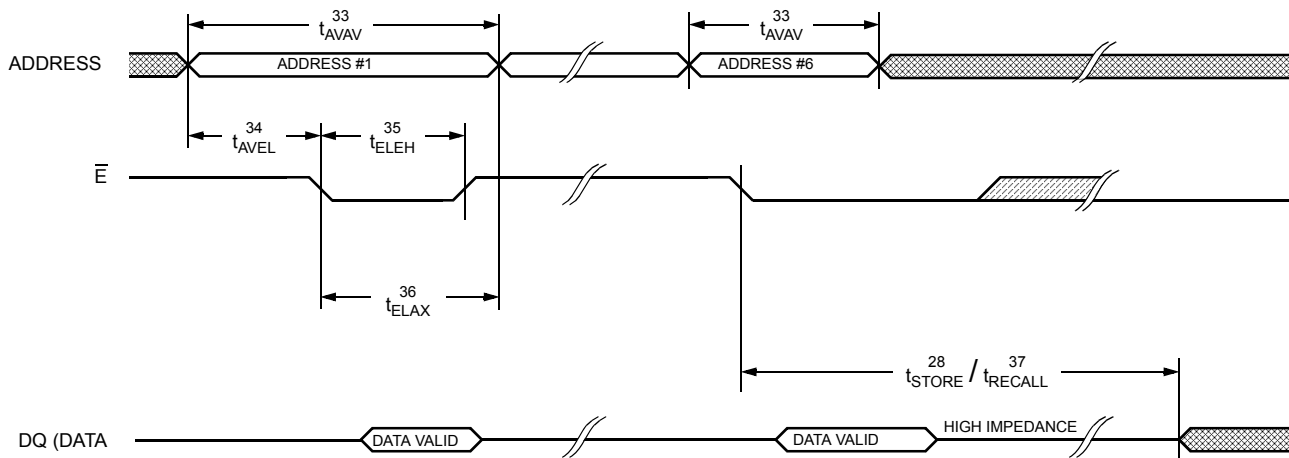
Note s: While there are 15 addresses on the STK14C88-3, only the lower 14 are used to control software modes.

Note t: I/O state assumes $\bar{G} \leq V_{IL}$. Activation of nonvolatile cycles does not depend on state of \bar{G} .

Note u: The software sequence is clocked with \bar{E} controlled READs.

Note v: The six consecutive addresses must be in the order listed in the Hardware Mode Selection Table: (0E38, 31C7, 03E0, 3C1F, 303F, 0FC0) for a STORE cycle or (0E38, 31C7, 03E0, 3C1F, 303F, 0C63) for a RECALL cycle. \bar{W} must be high during all six consecutive cycles.

SOFTWARE STORE/RECALL CYCLE: \bar{E} CONTROLLED^V



nvSRAM OPERATION

The STK14C88-3 has two separate modes of operation: SRAM mode and nonvolatile mode. In SRAM mode, the memory operates as a standard fast static RAM. In nonvolatile mode, data is transferred from SRAM to nonvolatile elements (the *STORE* operation) or from nonvolatile elements to SRAM (the *RECALL* operation). In this mode SRAM functions are disabled.

NOISE CONSIDERATIONS

The STK14C88-3 is a high-speed memory and so must have a high-frequency bypass capacitor of approximately 0.1 μ F connected between V_{CAP} and V_{SS} , using leads and traces that are as short as possible. As with all high-speed CMOS ICs, normal careful routing of power, ground and signals will help prevent noise problems.

SRAM READ

The STK14C88-3 performs a *READ* cycle whenever \overline{E} and \overline{G} are low and \overline{W} and \overline{HSB} are high. The address specified on pins A_{0-14} determines which of the 32,768 data byte will be accessed. When the *READ* is initiated by an address transition, the outputs will be valid after a delay of t_{AVQV} (READ cycle #1). If the *READ* is initiated by \overline{E} or \overline{G} , the outputs will be valid at t_{ELQV} or at t_{GLQV} , whichever is later (READ cycle #2). The data outputs will repeatedly respond to address changes within the t_{AVQV} access time without the need for transitions on any control input pins, and will remain valid until another address change or until \overline{E} or \overline{G} is brought high, or \overline{W} or \overline{HSB} is brought low.

SRAM WRITE

A *WRITE* cycle is performed whenever \overline{E} and \overline{W} are low and \overline{HSB} is high. The address inputs must be stable prior to entering the *WRITE* cycle and must remain stable until either \overline{E} or \overline{W} goes high at the end of the cycle. The data on the common I/O pins DQ_{0-7} will be written into the memory if it is valid t_{DVWH} before the end of a \overline{W} controlled *WRITE* or t_{DVEH} before the end of an \overline{E} controlled *WRITE*.

It is recommended that \overline{G} be kept high during the entire *WRITE* cycle to avoid data bus contention on common I/O lines. If \overline{G} is left low, internal circuitry will turn off the output buffers t_{WLQZ} after \overline{W} goes low.

POWER-UP RECALL

During power up, or after any low-power condition ($V_{CAP} < V_{RESET}$), an internal *RECALL* request will be latched. When V_{CAP} once again exceeds the sense voltage of V_{SWITCH} , a *RECALL* cycle will automatically be initiated and will take $t_{RESTORE}$ to complete.

If the STK14C88-3 is in a *WRITE* state at the end of power-up *RECALL*, the SRAM data will be corrupted. To help avoid this situation, a 10K Ohm resistor should be connected either between \overline{W} and system V_{CC} or between \overline{E} and system V_{CC} .

SOFTWARE NONVOLATILE STORE

The STK14C88-3 software *STORE* cycle is initiated by executing sequential \overline{E} controlled *READ* cycles from six specific address locations. During the *STORE* cycle an erase of the previous nonvolatile data is first performed, followed by a program of the nonvolatile elements. The program operation copies the SRAM data into nonvolatile memory. Once a *STORE* cycle is initiated, further input and output are disabled until the cycle is completed.

Because a sequence of *READ*s from specific addresses is used for *STORE* initiation, it is important that no other *READ* or *WRITE* accesses intervene in the sequence, or the sequence will be aborted and no *STORE* or *RECALL* will take place.

To initiate the software *STORE* cycle, the following *READ* sequence must be performed:

1. Read address	0E38 (hex)	Valid READ
2. Read address	31C7 (hex)	Valid READ
3. Read address	03E0 (hex)	Valid READ
4. Read address	3C1F (hex)	Valid READ
5. Read address	303F (hex)	Valid READ
6. Read address	0FC0 (hex)	Initiate <i>STORE</i> cycle

The software sequence must be clocked with \overline{E} controlled *READ*s.

Once the sixth address in the sequence has been entered, the *STORE* cycle will commence and the chip will be disabled. It is important that *READ* cycles and not *WRITE* cycles be used in the sequence, although it is not necessary that \overline{G} be low for the sequence to be valid. After the t_{STORE} cycle time has been fulfilled, the SRAM will again be activated for *READ* and *WRITE* operation.

SOFTWARE NONVOLATILE RECALL

A software *RECALL* cycle is initiated with a sequence of READ operations in a manner similar to the software *STORE* initiation. To initiate the *RECALL* cycle, the following sequence of \overline{E} controlled READ operations must be performed:

1. Read address	0E38 (hex)	Valid READ
2. Read address	31C7 (hex)	Valid READ
3. Read address	03E0 (hex)	Valid READ
4. Read address	3C1F (hex)	Valid READ
5. Read address	303F (hex)	Valid READ
6. Read address	0C63 (hex)	Initiate <i>RECALL</i> cycle

Internally, *RECALL* is a two-step procedure. First, the SRAM data is cleared, and second, the nonvolatile information is transferred into the SRAM cells. After the t_{RECALL} cycle time the SRAM will once again be ready for READ and WRITE operations. The *RECALL* operation in no way alters the data in the nonvolatile elements. The nonvolatile data can be recalled an unlimited number of times.

AutoStore OPERATION

The STK14C88-3 can be powered in one of three modes.

During normal AutoStore operation, the STK14C88-3 will draw current from V_{CCX} to charge a capacitor connected to the V_{CAP} pin. This stored charge will be used by the chip to perform a single *STORE* operation. After power up, when the voltage on the V_{CAP} pin drops below V_{SWITCH} , the part will automatically disconnect the V_{CAP} pin from V_{CCX} and initiate a *STORE* operation.

Figure 2 shows the proper connection of capacitors for automatic store operation. A charge storage capacitor having a capacity of between $68\mu\text{F}$ and $220\mu\text{F}$ ($\pm 20\%$) rated at 4.7V should be provided.

In order to prevent unneeded *STORE* operations, automatic *STOREs* as well as those initiated by externally driving \overline{HSB} low will be ignored unless at least one WRITE operation has taken place since the most recent *STORE* or *RECALL* cycle. Software-initiated *STORE* cycles are performed regardless of whether a WRITE operation has taken place.

If the power supply drops faster than $20 \mu\text{s/volt}$ before V_{CCX} reaches V_{SWITCH} , then a 1 ohm resistor should be inserted between V_{CCX} and the system supply to avoid momentary excess of current between V_{CCX} and V_{CAP} .

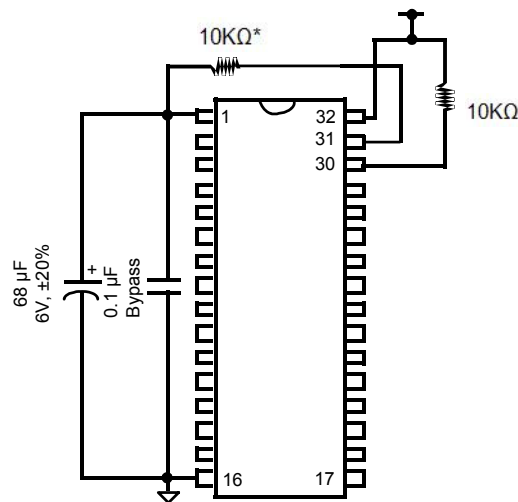


Figure 2: AutoStore Mode

*If \overline{HSB} is not used, it should be left unconnected.

HSB OPERATION

The STK14C88-3 provides the \overline{HSB} pin for controlling and acknowledging the *STORE* operations. The \overline{HSB} pin can be used to request a hardware *STORE* cycle. When the \overline{HSB} pin is driven low, the STK14C88-3 will conditionally initiate a *STORE* operation after t_{DELAY} ; an actual *STORE* cycle will only begin if a WRITE to the SRAM took place since the last *STORE* or *RECALL* cycle. The \overline{HSB} pin also acts as an open drain driver that is internally driven low to indicate a busy condition while the *STORE* (initiated by any means) is in progress. Pull up this pin with an external 10K ohm resistor to V_{CAP} if \overline{HSB} is used as a driver.

SRAM READ and WRITE operations that are in progress when \overline{HSB} is driven low by any means are given time to complete before the *STORE* operation is initiated. After \overline{HSB} goes low, the STK14C88-3 will continue SRAM operations for t_{DELAY} . During t_{DELAY} , multiple SRAM READ operations may take place. If a WRITE is in progress when \overline{HSB} is pulled low it will be allowed a time, t_{DELAY} , to complete. However, any SRAM WRITE cycles requested after \overline{HSB} goes low will be inhibited until \overline{HSB} returns high.

The \overline{HSB} pin can be used to synchronize multiple STK14C88-3s while using a single larger capacitor. To operate in this mode the \overline{HSB} pin should be connected together to the \overline{HSB} pins from the other STK14C88-3s. An external pull-up resistor to +3.3V is required since \overline{HSB} acts as an open drain pull-down. The V_{CAP} pins from the other STK14C88-3

parts can be tied together and share a single capacitor. The capacitor size must be scaled by the number of devices connected to it. When any one of the STK14C88-3s detects a power loss and asserts $\overline{\text{HSB}}$, the common $\overline{\text{HSB}}$ pin will cause all parts to request a *STORE* cycle (a *STORE* will take place in those STK14C88-3s that have been written since the last nonvolatile cycle).

During any *STORE* operation, regardless of how it was initiated, the STK14C88-3 will continue to drive the $\overline{\text{HSB}}$ pin low, releasing it only when the *STORE* is complete. Upon completion of the *STORE* operation the STK14C88-3 will remain disabled until the $\overline{\text{HSB}}$ pin returns high.

If $\overline{\text{HSB}}$ is not used, it should be left unconnected.

PREVENTING STORES

The *STORE* function can be disabled on the fly by holding $\overline{\text{HSB}}$ high with a driver capable of sourcing 30mA at a V_{OH} of at least 2.2V, as it will have to overpower the internal pull-down device that drives $\overline{\text{HSB}}$ low for 20 μs at the onset of a *STORE*. When the STK14C88-3 is connected for AutoStore operation (system V_{CC} connected to V_{CCX} and a 68 μF capacitor on V_{CAP}) and V_{CC} crosses V_{SWITCH} on the way down, the STK14C88-3 will attempt to pull $\overline{\text{HSB}}$ low; if $\overline{\text{HSB}}$ doesn't actually get below V_{IL} , the part will stop trying to pull $\overline{\text{HSB}}$ low and abort the *STORE* attempt.

HARDWARE PROTECT

The STK14C88-3 offers hardware protection against inadvertent *STORE* operation and SRAM WRITES during low-voltage conditions. When $V_{\text{CAP}} < V_{\text{SWITCH}}$, all externally initiated *STORE* operations and SRAM WRITES will be inhibited.

LOW AVERAGE ACTIVE POWER

The STK14C88-3 draws significantly less current when it is cycled at times longer than 50ns. Figure 5 shows the relationship between I_{CC} and READ cycle time. Worst-case current consumption is shown for both CMOS and TTL input levels (commercial temperature range, $V_{\text{CC}} = 3.6\text{V}$, 100% duty cycle on chip enable). Figure 6 shows the same relationship for WRITE cycles.

If the chip enable duty cycle is less than 100%, only standby current is drawn when the chip is disabled. The overall average current drawn by the STK14C88-3 depends on the following items: 1) CMOS vs. TTL input levels; 2) the duty cycle of chip enable; 3) the overall cycle rate for accesses; 4) the ratio of READS to WRITES; 5) the operating temperature; 6) the V_{CC} level; and 7) I/O loading.

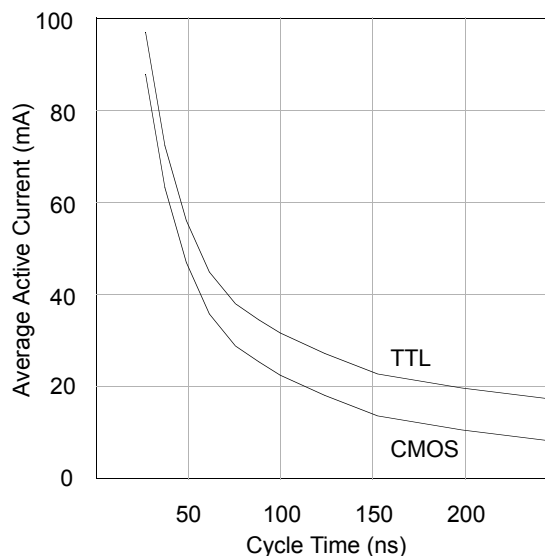


Figure 5: I_{CC} (max) Reads

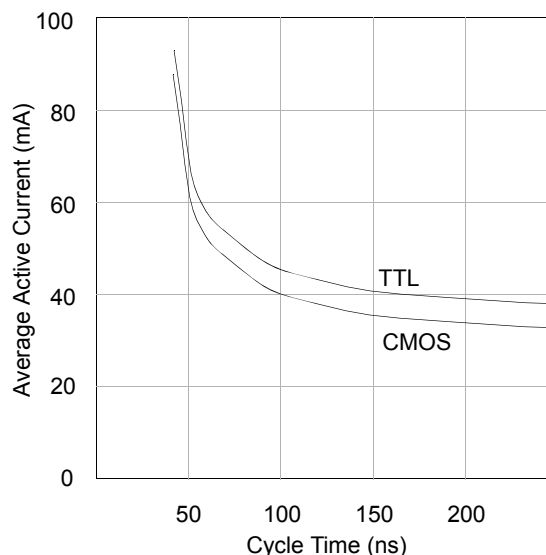
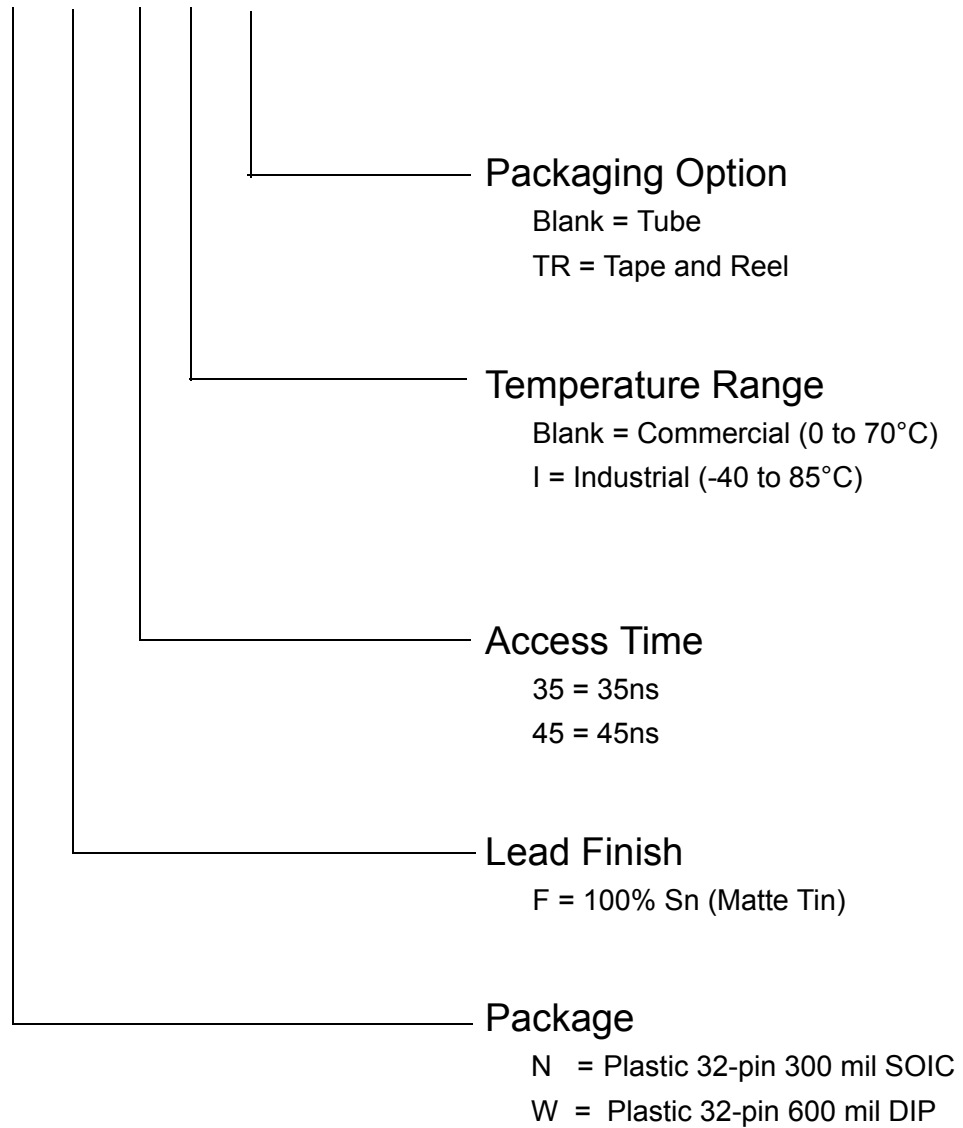


Figure 6: I_{CC} (max) Writes

Commercial and Industrial Ordering Information

STK14C88-3 N F 45 I TR

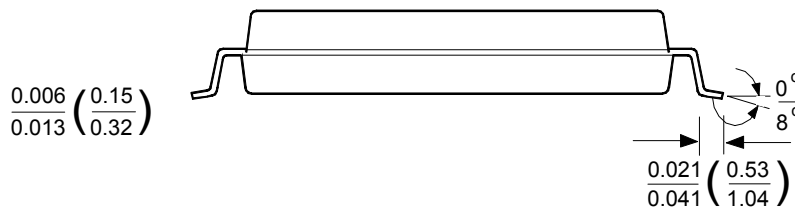
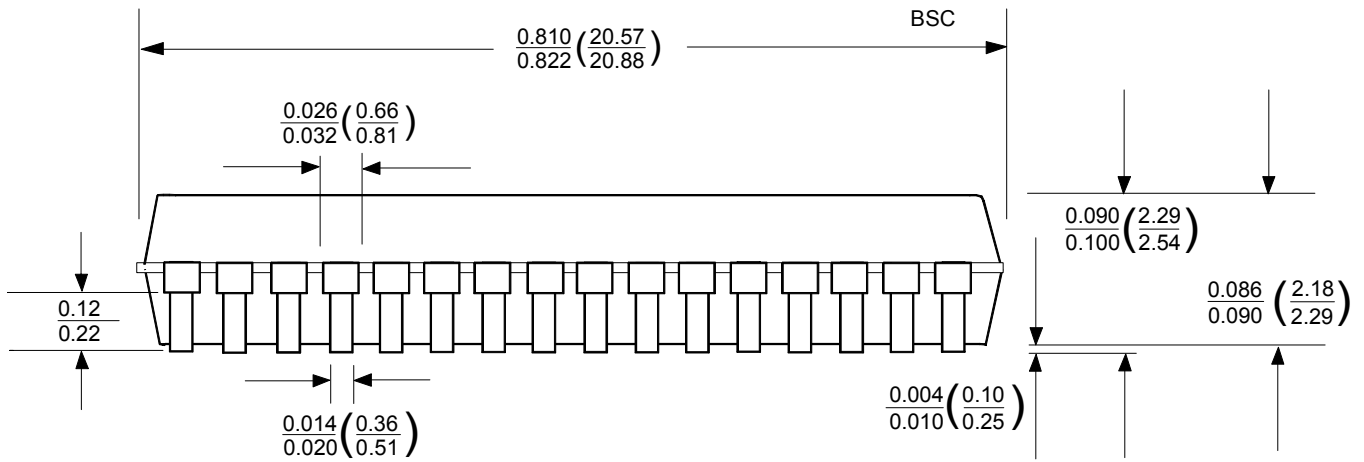
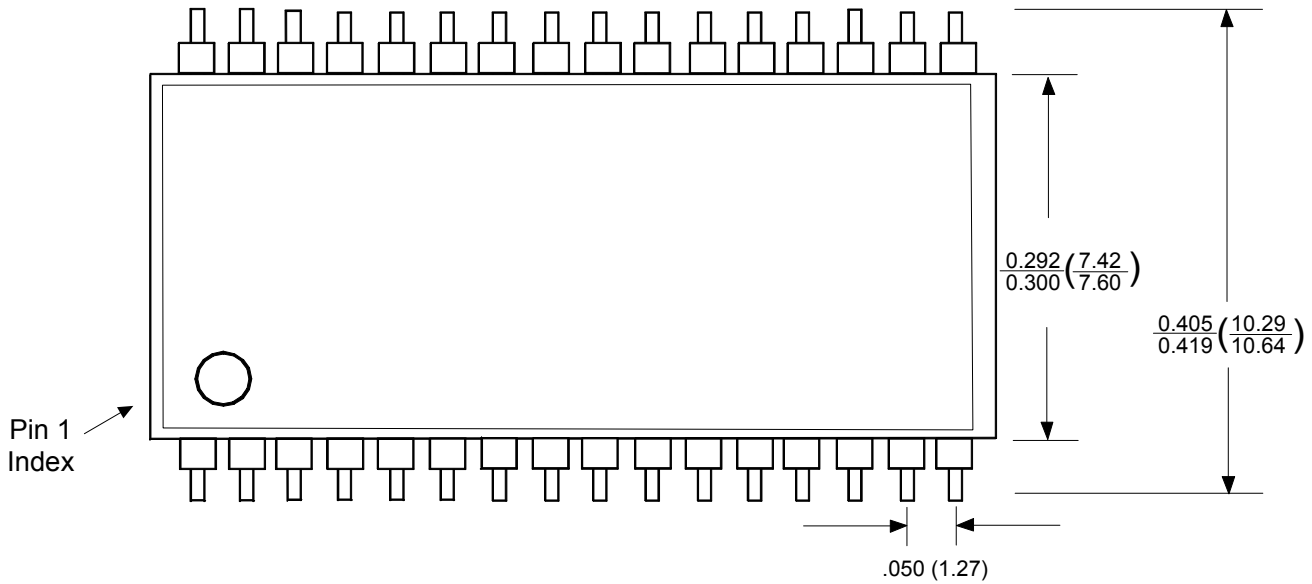


ORDERING INFORMATION

Part Number	Description	Temperature
STK14C88-3WF35	3.3V 32Kx8 AutoStore nvSRAM PDIP32-600	Commercial
STK14C88-3WF45	3.3V 32Kx8 AutoStore nvSRAM PDIP32-600	Commercial
STK14C88-3NF35	3.3V 32Kx8 AutoStore nvSRAM SOP32-300	Commercial
STK14C88-3NF45	3.3V 32Kx8 AutoStore nvSRAM SOP32-300	Commercial
STK14C88-3NF35TR	3.3V 32Kx8 AutoStore nvSRAM SOP32-300	Commercial
STK14C88-3NF45TR	3.3V 32Kx8 AutoStore nvSRAM SOP32-300	Commercial
STK14C88-3WF35I	3.3V 32Kx8 AutoStore nvSRAM PDIP32-600	Industrial
STK14C88-3WF45I	3.3V 32Kx8 AutoStore nvSRAM PDIP32-600	Industrial
STK14C88-3NF35I	3.3V 32Kx8 AutoStore nvSRAM SOP32-300	Industrial
STK14C88-3NF45I	3.3V 32Kx8 AutoStore nvSRAM SOP32-300	Industrial
STK14C88-3NF35ITR	3.3V 32Kx8 AutoStore nvSRAM SOP32-300	Industrial
STK14C88-3NF45ITR	3.3V 32Kx8 AutoStore nvSRAM SOP32-300	Industrial

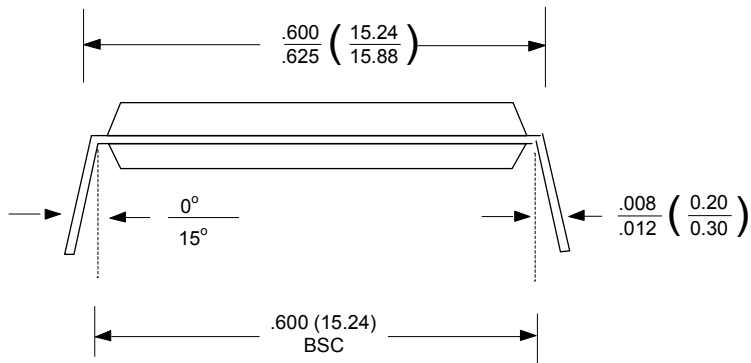
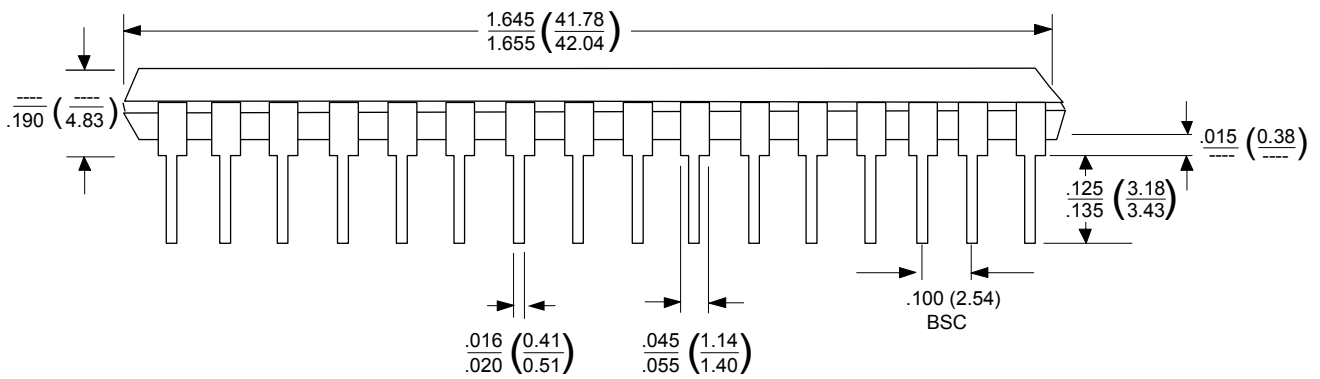
Package Diagrams

32-pin 300 mil SOIC Gull Wing



DIM = INCHES $\frac{\text{MIN}}{\text{MAX}}$
 DIM = mm $\left(\frac{\text{MIN}}{\text{MAX}} \right)$

32-pin 600 mil PDIP



DIM = INCHES $\frac{MIN}{MAX}$
 DIM = MM ($\frac{MIN}{MAX}$)

Document Revision History

Revision	Date	Summary
0.0	January 2003	Added 35 nsec device; added HSB operation; current limiting resistor added to Vccx for extreme power-off slew rate
0.1	February 2003	Added 48 SSOP package
0.2	September 2003	Added lead-free lead finish
0.3	November 2003	Modified pin assignments on 48 SSOP package
0.4	January 2006	Removed 48 pin SSOP package. Removed 55 ns product offering. Added previously unspecified NV_C and $DATA_R$ specifications to DC Characteristics.
0.5	March 2006	Removed Leaded Lead Finish
0.6	February 2007	Add Tape Reel Ordering Options Add Product Ordering Code Listing Add Package Drawings Reformat Entire Document

SIMTEK STK14C88-3 Datasheet, February 2007

Copyright 2007, Simtek Corporation. All rights reserved.

This datasheet may only be printed for the expressed use of Simtek Customers. No part of the datasheet may be reproduced in any other form or means without the express written permission from Simtek Corporation. The information contained in this publication is believed to be accurate, but changes may be made without notice. Simtek does not assume responsibility for, or grant or imply any warranty, including MERCHANTABILITY or FITNESS FOR A PARTICULAR PURPOSE regarding this information, the product or its use. Nothing herein constitutes a license, grant or transfer of any rights to any Simtek patent, copyright, trademark, or other proprietary right.