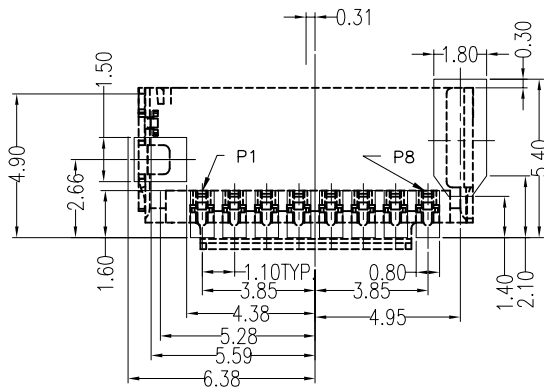


-NOTES-

- 1.Electrical:
 Contact resistance:50m ohms max.
 Dielectric withstanding voltage:500V RMS.
 Insulation resistance:1000M ohms min.
- 2.Mechanical:
 MATE AND UNMATE FORCE:
 MATE FORCE:4.5kg MAX
 UNMATE FORCE:0.5kg MIN
 Durability:1500cycles MIN.
- 3.Environment:
 Operating Temperature:-25°to+85°.
- 4.FINISH:
 TERMINAL: GOLD Plated Over NICKEL
 Contact area,TIN ON
 SOLDER TAIL AREA& TIN
 Plated ALL Over NICKEL.
 Shell: SPCC WITH NICKEL&GOLD Plated.
- 5.COLOR:
 HOUSING:BLACK.

| 序号 | DIM A | DIM B | 料号 |
|----|-------|-------|-------------------|
| 1 | 2.65 | 1.45 | HYCW103-TF08-265B |
| 2 | 3.0 | 1.86 | HYCW103-TF08-300B |
| 3 | 3.35 | 2.16 | HYCW103-TF08-335B |
| 4 | 3.75 | 2.56 | HYCW103-TF08-375B |

| Pin No. | NAME |
|---------|---------|
| 1 | DAT2 |
| 2 | CD/DAT3 |
| 3 | CMD |
| 4 | VDD |
| 5 | CLK |
| 6 | VSS |
| 7 | DAT0 |
| 8 | DAT1 |



RECOMMENDED PCB LAYOUT
TOLERANCES ±0.05



深圳市华宇创精密电子有限公司

| | | | | |
|---|---------------------|----------------------|----------------------------------|---------------------|
| TOLERANCE: X.X ±0.30 X.XX ±0.25 X.XXX ±0.15 X' ±2' X.X' ±0.5' | DRAWN BY : 陈一鸣 | DATE : 2014-02-23 | PART NAME: TF 短体不带检测PIN 3.75H | |
| | CHECKED BY: 马跃 | DATE : 2014-02-23 | PART NO. HYCW103-TF08-375B | MOLD NO. |
| UNIT: mm [inch] SCALE:1:1 SIZE: A4 | APPROVED BY: 邱国夷 | DATE : 2014-02-23 | DRAW NO: HYC-TF1809151903 | SHEET NO. 1 OF 1 |