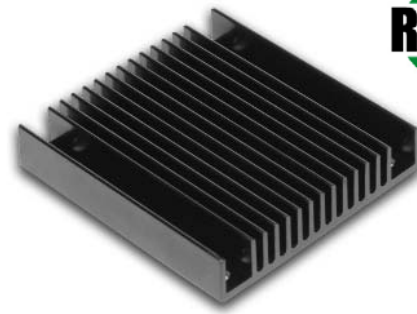
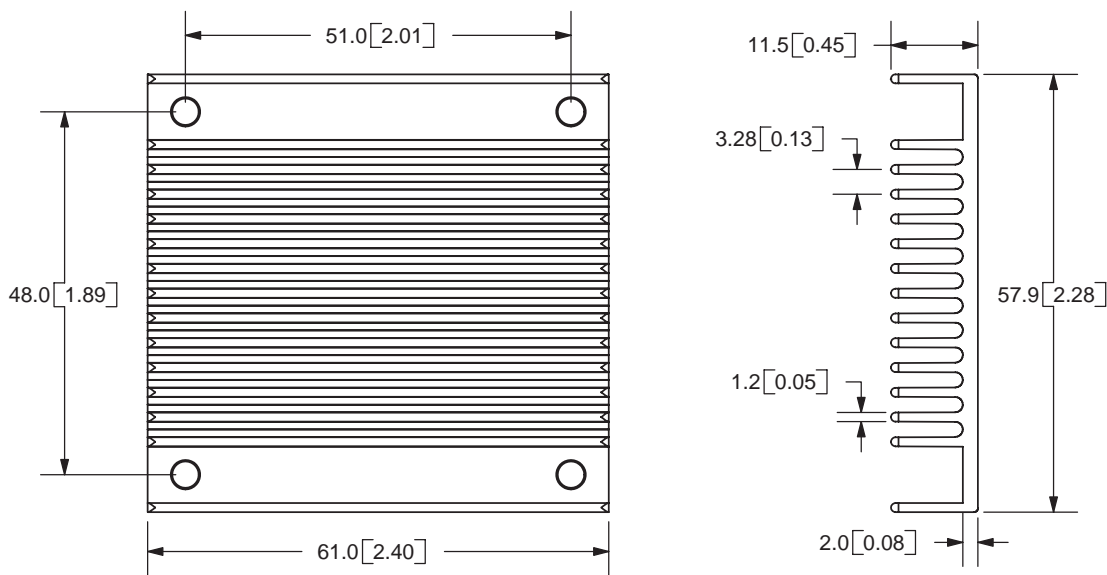


**Features**

- Designed for half-brick converters
- Keeps converters cool with natural convection or forced air
- Includes mounting screws and washers
- Black anodized finish


**Mechanical Data**


Weight: xxxoz (xxg) net  
 Mounting Hardware: 4x M3 x 12mm screw included, washer

**Thermal Data**
