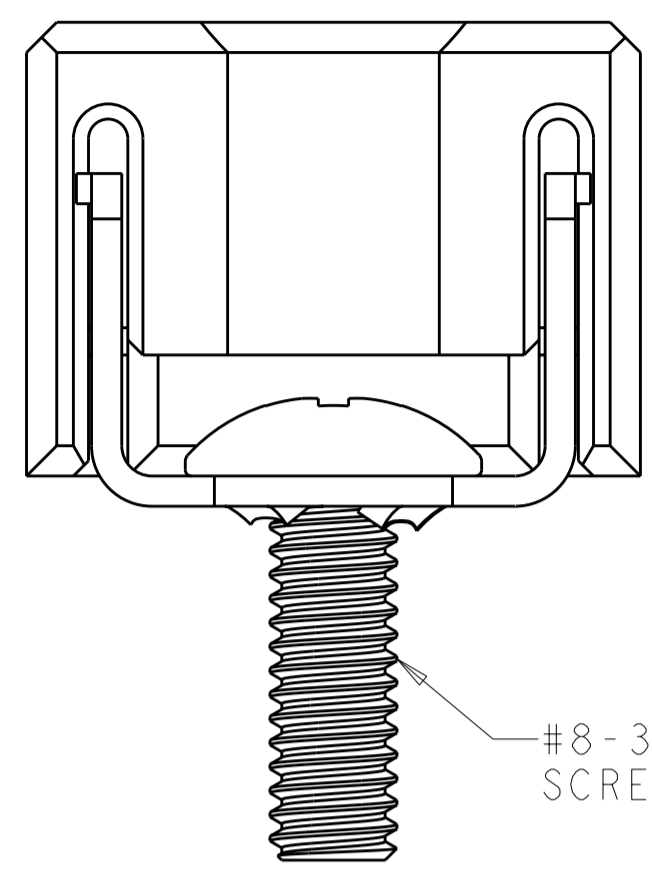


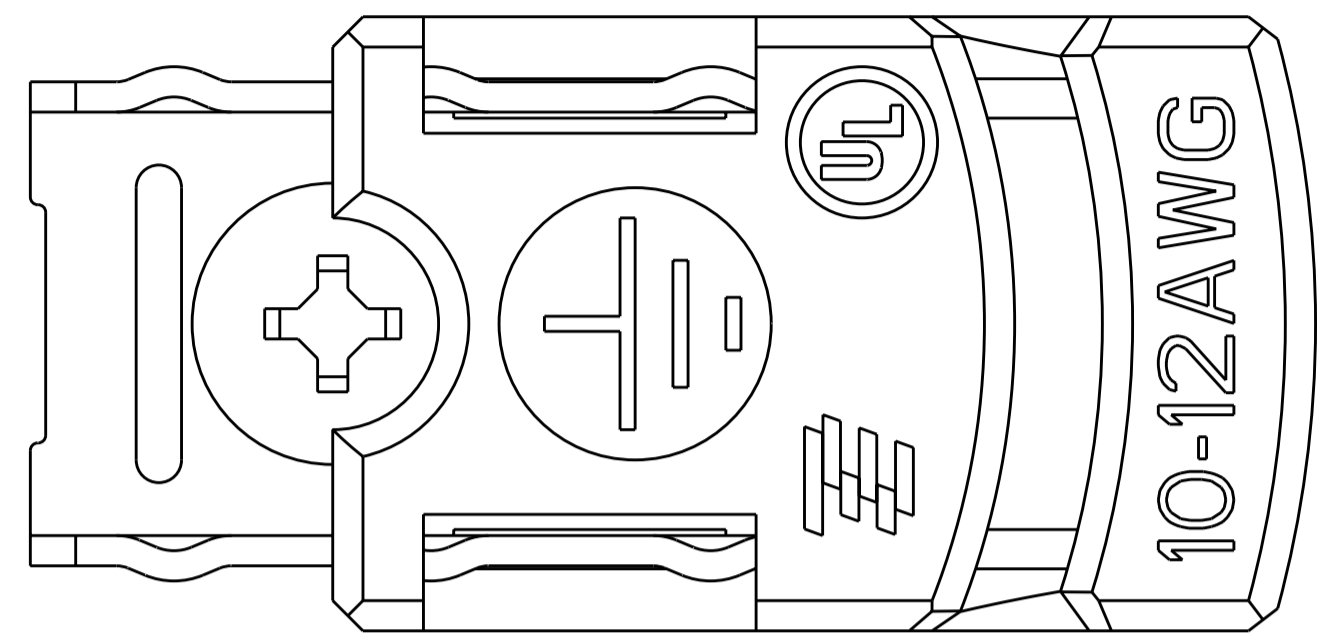
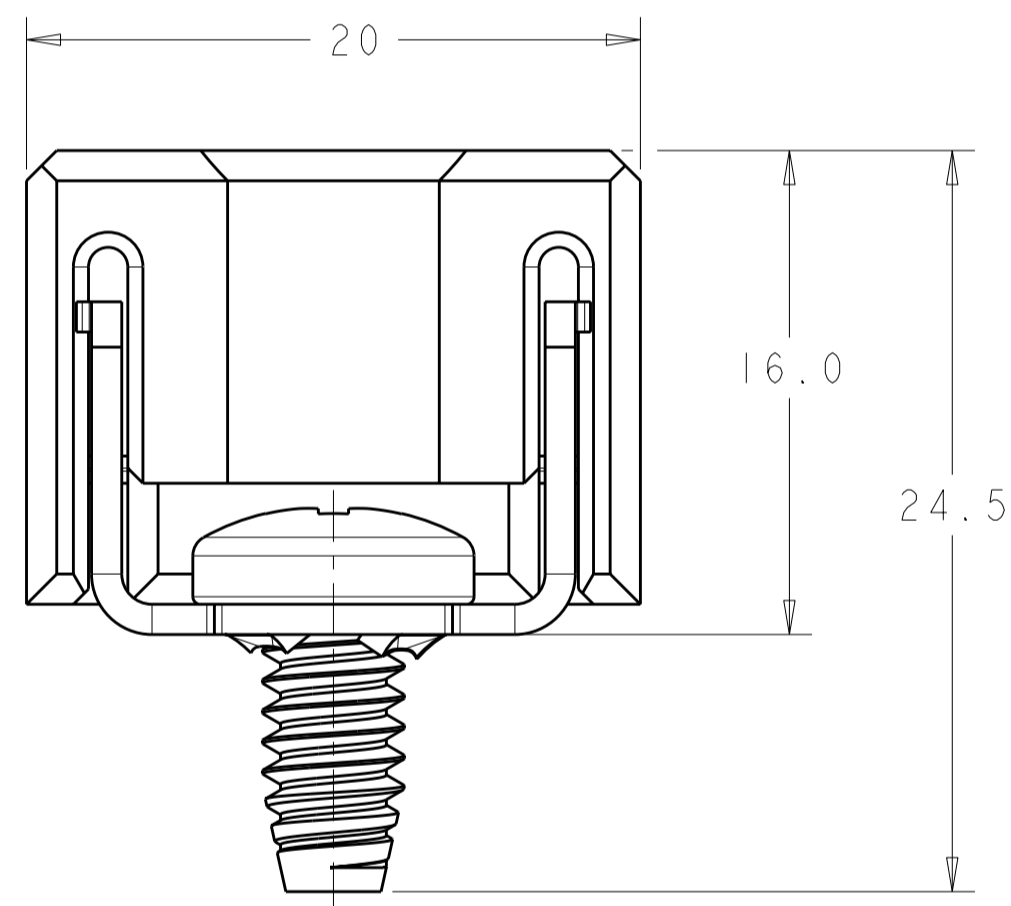
THIS DRAWING IS UNPUBLISHED. RELEASED FOR PUBLICATION 20
 © COPYRIGHT 20 BY TYCO ELECTRONICS CORPORATION. ALL RIGHTS RESERVED.

LOC	DIST	REVISIONS					
FT	0	P	LTR	DESCRIPTION	DATE	DWN	APVD
		CI		REVISED PER ECO-09-007901	30MAR2009	SS	MS

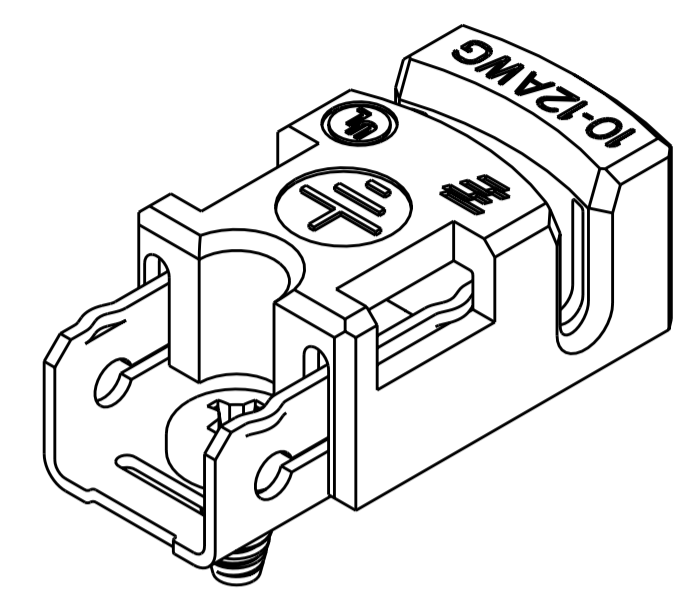
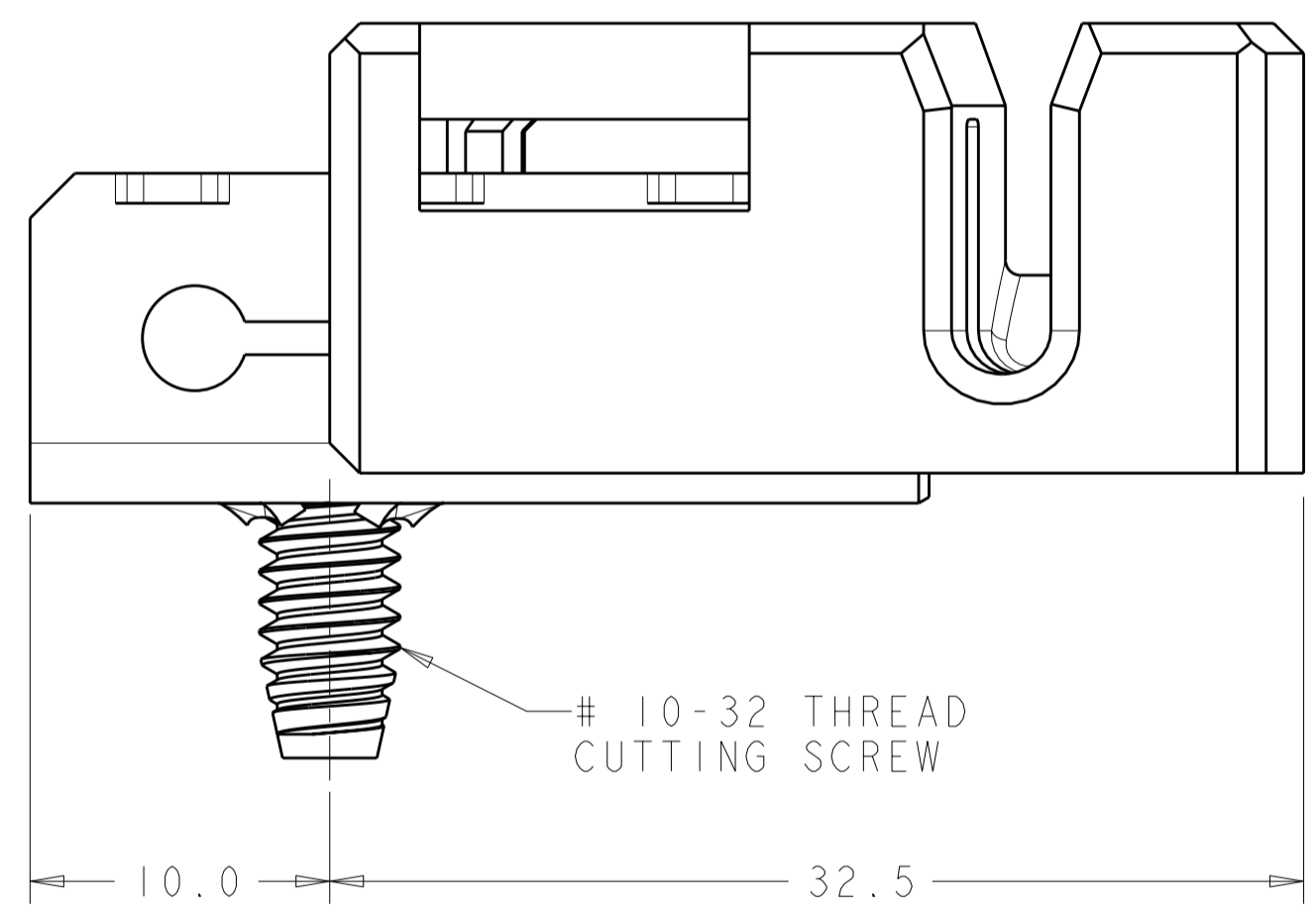


#8-32 PAN HEAD SCREW

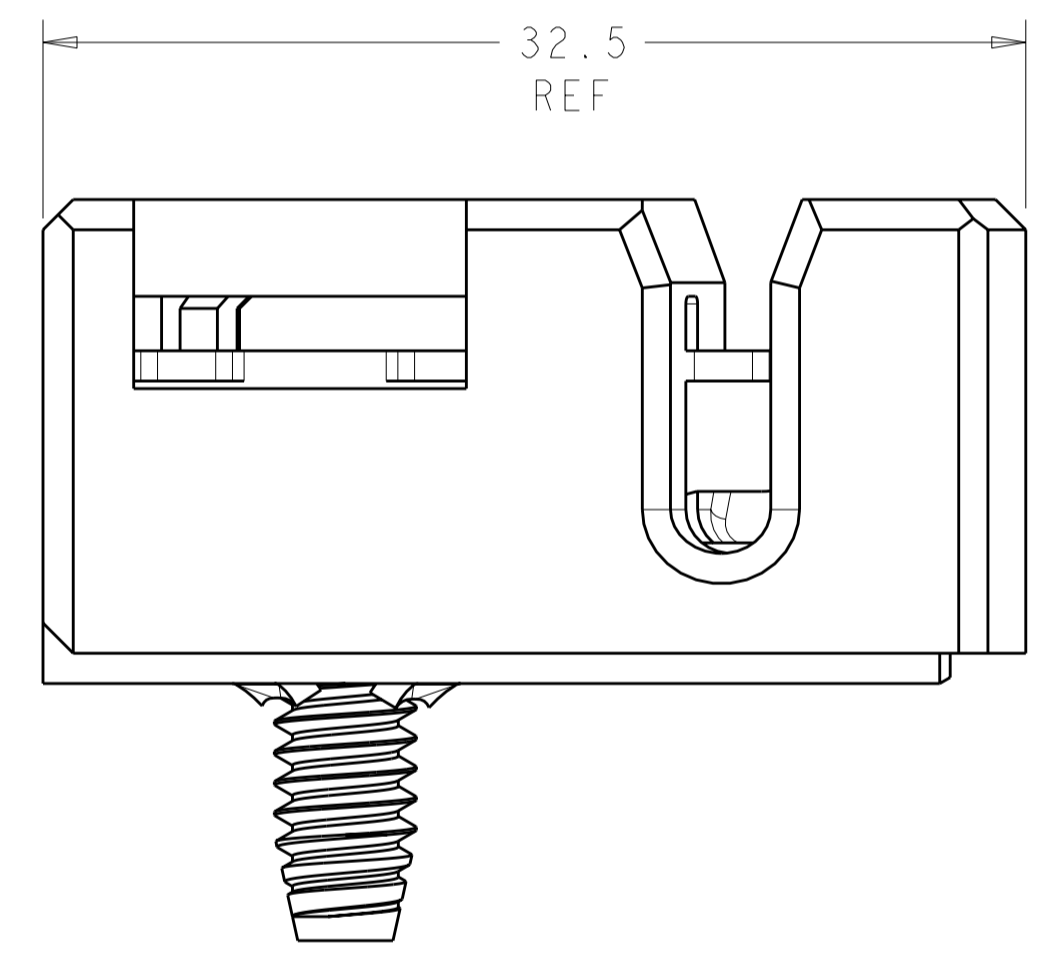
1954381-2 & -3



10-32 THREAD CUTTING SCREW



SCALE 2:1



CLOSED POSITION

1 MATERIALS AND FINISH:
 SLIDER: PBT OR EQUIVALENT, UV FI RATING, BLACK, 94V5
 BASE: COPPER ALLOY; FINISH: Sn OVER Ni
 THREAD-CUTTING SCREW: STAINLESS STEEL

2. COMPLIES WITH DIRECTIVE 2002/95/EC (ROHS)
 3. PATENT PENDING

4 8-32 NUT IS PACKAGED AS A SEPARTATE COMPONENT OF PN 1954381-2.

5 KEPS NUT WASHER IS PACKAGED AS A SEPERATE COMPONENT OF 1954381-3.

6 PRELIMINARY PART NUMBER.

6	5	NUT WASHER	#8 PAN HEAD	1954381-3
4		#8-32	#8-32 PAN HEAD	1954381-2
		NONE	#10-32 THREAD CUTTING	1954381-1
		NUT	SCREW	PART NUMBER

THIS DRAWING IS A CONTROLLED DOCUMENT FOR TYCO ELECTRONICS CORPORATION. IT IS SUBJECT TO CHANGE AND THE CONTROLLING ENGINEERING ORGANIZATION SHOULD BE CONTACTED FOR THE LATEST REVISION.		DWN MOHAN 31OCT2006	Tyco Electronics Harrisburg, PA 17105-3608	
DIMENSIONS: mm		CHK S. DUESTERHOEFF 01NOV2006	NAME GROUNDING CLIP ASSEMBLY 10-12 AWG SOLID WIRE	
TOLERANCES UNLESS OTHERWISE SPECIFIED: 0 PLC ± 1 PLC ±1.0 2 PLC ±0.10 3 PLC ± 4 PLC ± ANGLES ±3° FINISH		APVD M. STRECKEWALD 01JUN2007	PRODUCT SPEC	RESTRICTED TO
MATERIAL		APPLICATION SPEC	WEIGHT	SIZE CAGE CODE DRAWING NO
		WEIGHT	A200779	1954381
		CUSTOMER DRAWING	SCALE 4:1	SHEET OF REV C1