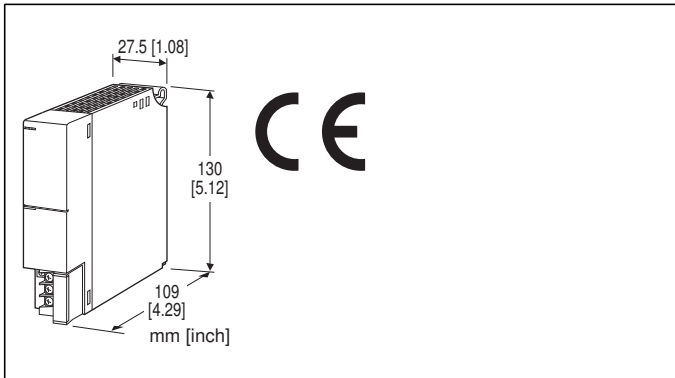


Remote I/O R3 Series

POWER SUPPLY MODULE

(single slot, continuous output current 750 mA)



MODEL: R3-PS1-[1][2]

ORDERING INFORMATION

- Code number: R3-PS1-[1][2]
- Specify a code from below for each of [1] and [2].
(e.g. R3-PS1-R/CE/Q)
- Specify the specification for option code /Q
(e.g. /C01)

[1] POWER INPUT

AC Power

K: 85 - 132 V AC

(Operational voltage range 85 - 132 V, 47 - 66 Hz)

(CE not available)

L: 170 - 264 V AC

(Operational voltage range 170 - 264 V, 47 - 66 Hz)

(CE Not available)

DC Power

R: 24 V DC

(Operational voltage range 24 V \pm 10 %, ripple 10 %p-p max.)

P: 110 V DC

(Operational voltage range 85 - 150 V, ripple 10 %p-p max.)

(CE not available)

[2] OPTIONS (multiple selections)

Standards & Approvals

blank: Without CE

/CE: CE marking

Other Options

blank: none

/Q: Option other than the above (specify the specification)

SPECIFICATIONS OF OPTION: Q

COATING (For the detail, refer to M-System's web site.)

/C01: Silicone coating

/C02: Polyurethane coating

/C03: Rubber coating

GENERAL SPECIFICATIONS

Connection

Internal power output: Via the Installation Base (model: R3-BSx)

Power input, RUN contact output: M3 separable screw terminal (torque 0.5 N·m)

Screw terminal: Nickel-plated steel

Isolation: Internal power to power input to RUN contact output to FG

Power indicator LED: Green LED turns on when the power is supplied.

■ RUN CONTACT OUTPUT

RUN contact: Turns on (closed) while the power is supplied.
(Available with Ver.1.01 or higher versions)

Rated load: 250 V AC @ 0.5 A ($\cos \phi = 1$)

30 V DC @ 0.5 A (resistive load)

(Less than 50 V AC to conform with EU Directive)

Maximum switching voltage: 250 V AC or 30 V DC

Maximum switching power: 250 VA or 150 W

Minimum load: 1 V DC @ 1 mA

Mechanical life: 2×10^7 cycles (300 cycles/min.)

When driving an inductive load, external contact protection and noise quenching recommended.

INSTALLATION

Power consumption (Output current: 750 mA @ 20 V DC)

• **AC:** Approx. 45 VA

• **DC:** Approx. 29 W or 1.2 A at 24 V

Output current: 750 mA continuous at 20 V DC; 1000 mA for 10 minutes

(Total current continuously consumed at the network modules and I/O modules must be within 750 mA.)

Operating temperature: -10 to +55°C (14 to 131°F)

Operating humidity: 30 to 90 %RH (non-condensing)

Atmosphere: No corrosive gas or heavy dust

Mounting: Installation Base (model: R3-BSx)

Weight: 250 g (0.55 lb)

PERFORMANCE

Insulation resistance: $\geq 100 \text{ M}\Omega$ with 500 V DC

Dielectric strength: 2000 V AC @ 1 minute

(internal power to power input to RUN contact output to FG)

STANDARDS & APPROVALS

EU conformity:

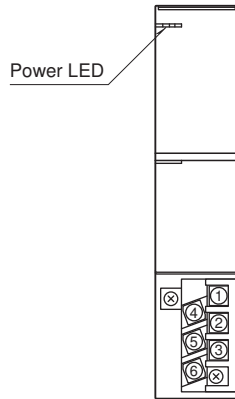
EMC Directive

EMI EN 61000-6-4

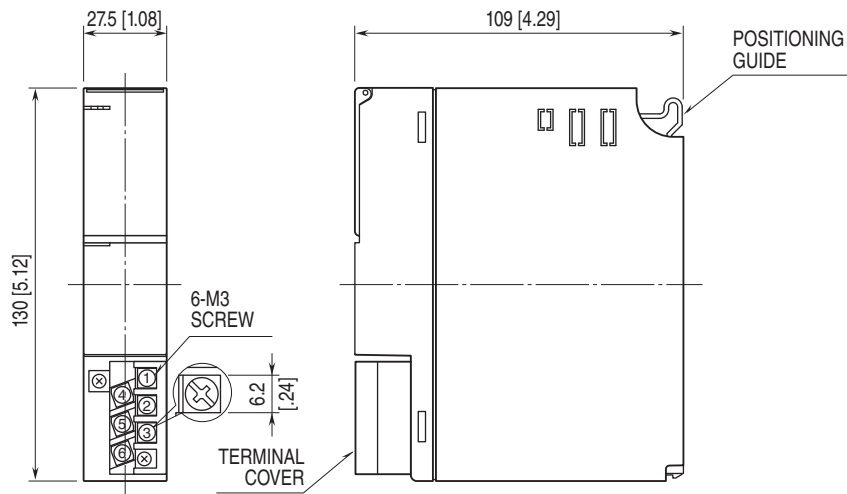
EMS EN 61000-6-2

RoHS Directive

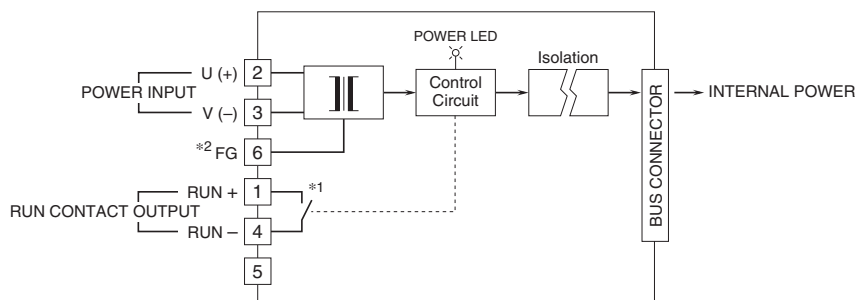
EXTERNAL VIEW



EXTERNAL DIMENSIONS & TERMINAL ASSIGNMENTS unit: mm [inch]



SCHEMATIC CIRCUITRY & CONNECTION DIAGRAM



*1. RUN contact is available with Ver.1.01 or higher versions.

*2. In order to improve EMC performance, bond the FG terminal to a ground.

Caution: This terminal is NOT a protective conductor terminal.



Specifications are subject to change without notice.