



Spec. No.	PS-ND-0711
Rev.	A

PRODUCT SPECIFICATION

Model No : CSS-15104B7/15105B7

Descriptions:

- 1.5 Inch Single Digit Display
- Emitting Color : Super Bright Blue



CUSTOMER APPROVED	APPROVED BY	CHECKED BY	PREPARED BY
SIGNATURES			
			陳新強

CHINA SEMICONDUCTOR CORPORATION

Address:2FL. NO.909,Chung-Cheng Road,
Chung-Ho City Taipei Hsien,Taiwan.

Tel:886-2-2223-9696
Fax:886-2-2223-9377

OPTO PLUS TECHNOLOGIES CO.,LTD

Address:696 Shun jiang Rd.,Ji Shan St.Shaoxing,
ZheJiang,China

Tel:86-0575-8623888
Fax:86-0575-8623112



Spec. No.	PS-ND-0711
Rev.	A

Model No : CSS-15104B7/15105B7

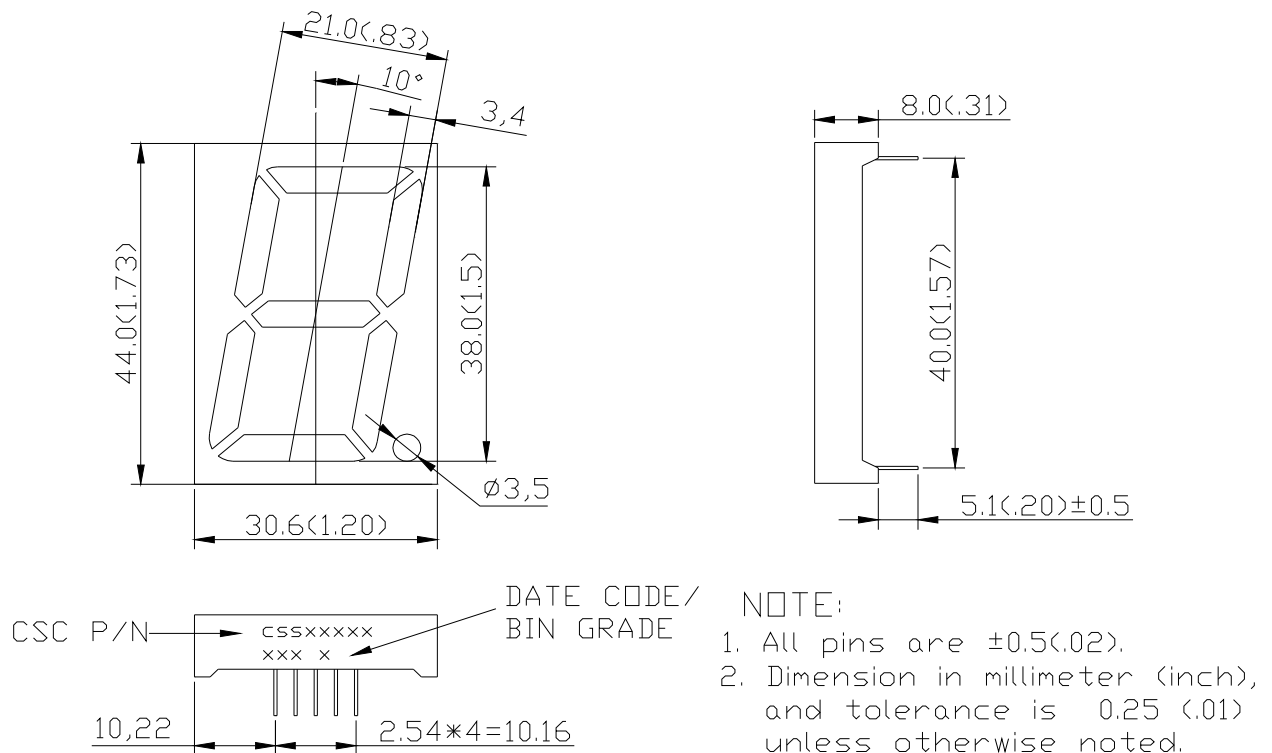
■ Features -

1. 1.5 inch (38.0mm) digit height.
2. Case mold type.
3. RoHs compliant.
4. Low power consumption.
5. ESD>1KV(HBM)
6. Easy mounting on P.C. board or socket.

■ Device Selection Guide -

Part No.	Chip		Description
	Material	Emitted Color	
CSS-15104B7	InGaN	Super Bright Blue	Common Anode
CSS-15105B7	InGaN	Super Bright Blue	Common Cathode

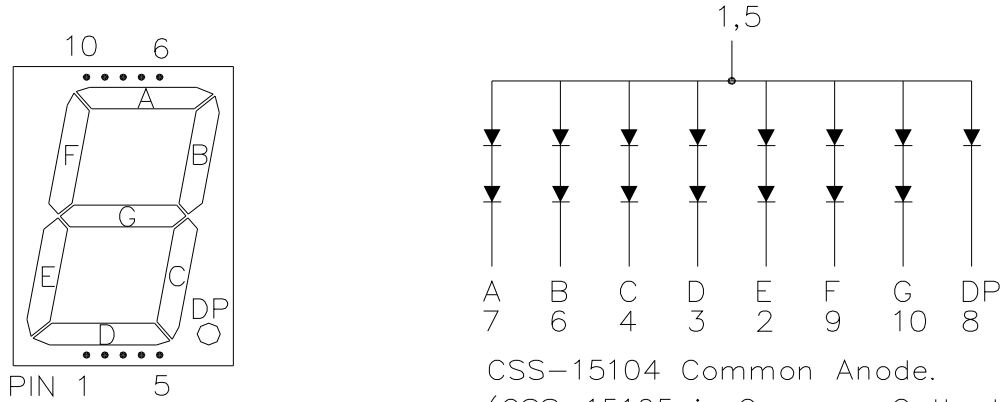
■ Mechanical Dimensions -





Model No : CSS-15104B7/15105B7

Internal Circuit Diagrams -



CSS-15104 Common Anode.
(CSS-15105 is Common Cathode.)

Absolute Maximum Rating -

(Ta=25°C)

Parameter	Symbol	Rating	Unit
Power Dissipation Per Dice	Pd	120	mW
Continuous Forward Current Per Dice	IAF	30	mA
Peak Current Per Dice (Duty cycle 1/10, 1kKHz)	IPF	100	mA
Reverse Voltage Per Dice	VR	5	V
Operating Temperature	Topr	-35 ~ +85	°C
Storage Temperature	Tstg	-35 ~ +85	°C
Solder temperature 1/16 inch below seating plane for 3 seconds at 260 °C			



Model No : CSS-15104B7/15105B7

Electro-optical Characteristics -

(Ta=25°C)

Parameter	Symbol	Min.	Typ.	Max.	Unit	Condition
Forward Voltage Per Segment (DP)	VF	-	7(3.5)	8(4.0)	V	IF=20mA
Luminous Intensity Per Segment	Iv	-	30	-	mcd	
Peak Emission Wavelength	λP	-	470	-	nm	
Spectrum Radiation Bandwidth	$\Delta \lambda$	-	20	-	nm	
Reverse Current	IR	-	-	50	μA	VR=10V



Spec. No.	PS-ND-0711
Rev.	A

Model No : CSS-15104B7/15105B7

■ Typical Electrical / Optical Characteristics Curves -

(Ta = 25°C Unless Otherwise Noted)

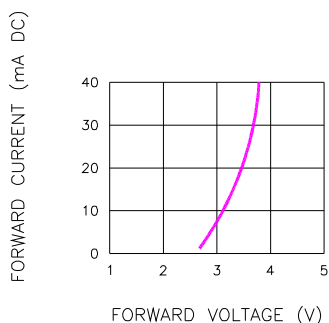


Fig.1 FORWARD CURRENT VS. FORWARD VOLTAGE

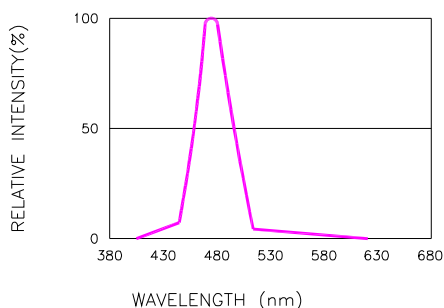


Fig.2 RELATIVE INTENSITY VS. WAVELENGTH

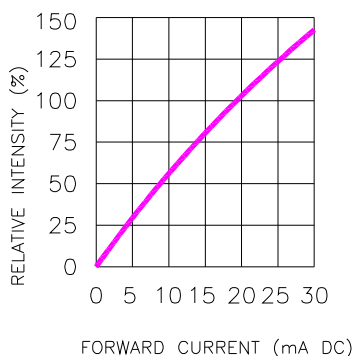


Fig.3 RELATIVE INTENSITY VS. FORWARD CURRENT

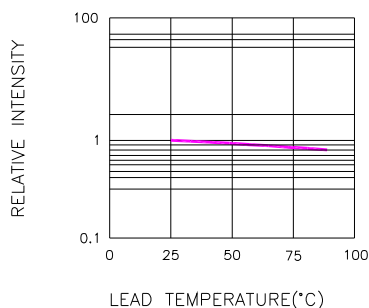


Fig.4 RELATIVE INTENSITY VS. LEAD TEMPERATURE
(PULSED 20 mA; 300us
PULSE, 10ms PERIOD)

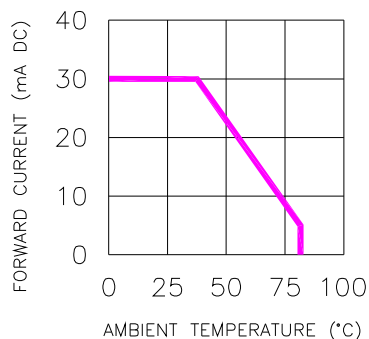


Fig.5 FORWARD CURRENT VS. AMBIENT TEMPERATURE

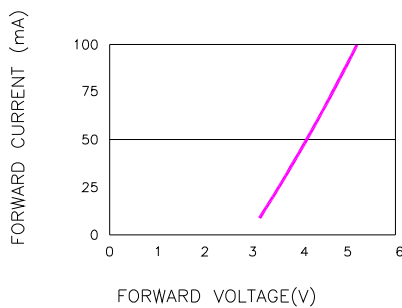


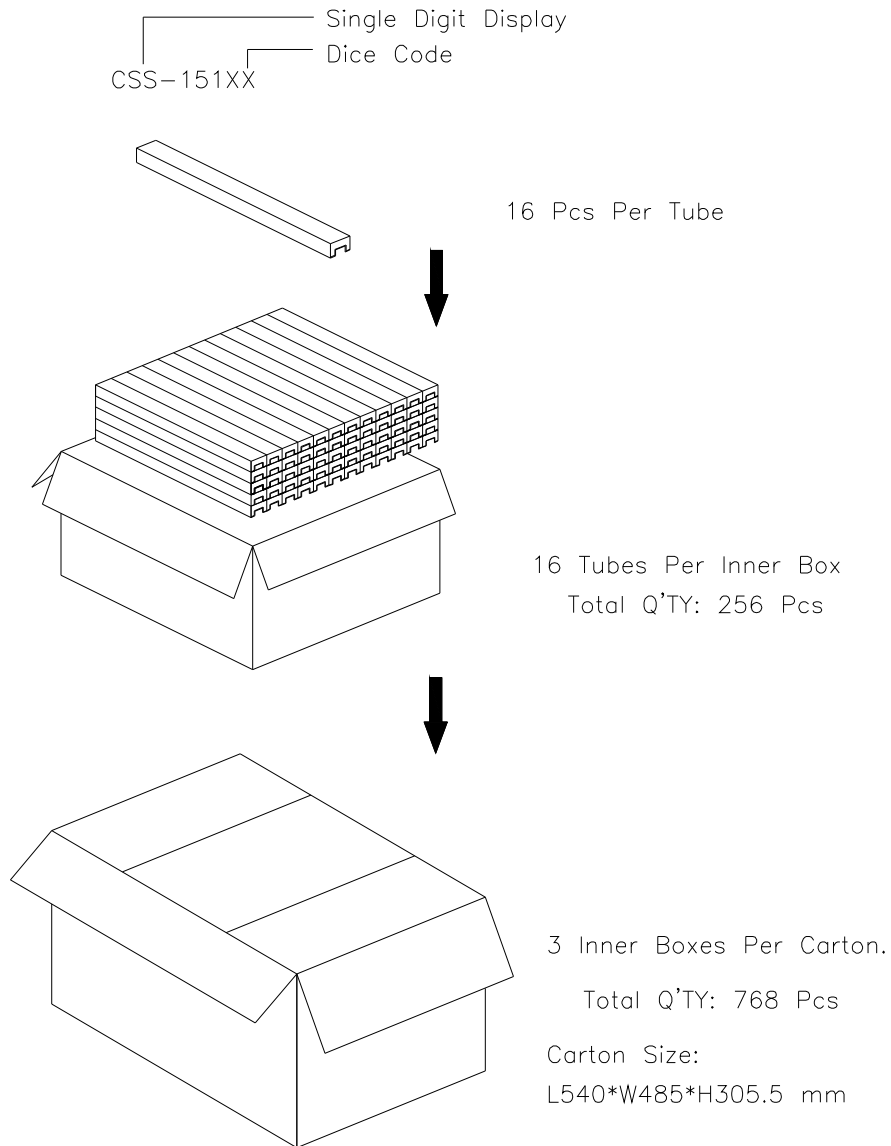
Fig.6 PEAK FORWARD VOLTAGE VS. FORWARD (100us TEST PULSE,
1% DUTY CYCLE)



Spec. No.	PS-ND-0711
Rev.	A

Model No: CSS-15104B7/15105B7

■ Package Dimensions



Note: The specifications are subject to change without notice. Please contact us for updated information.